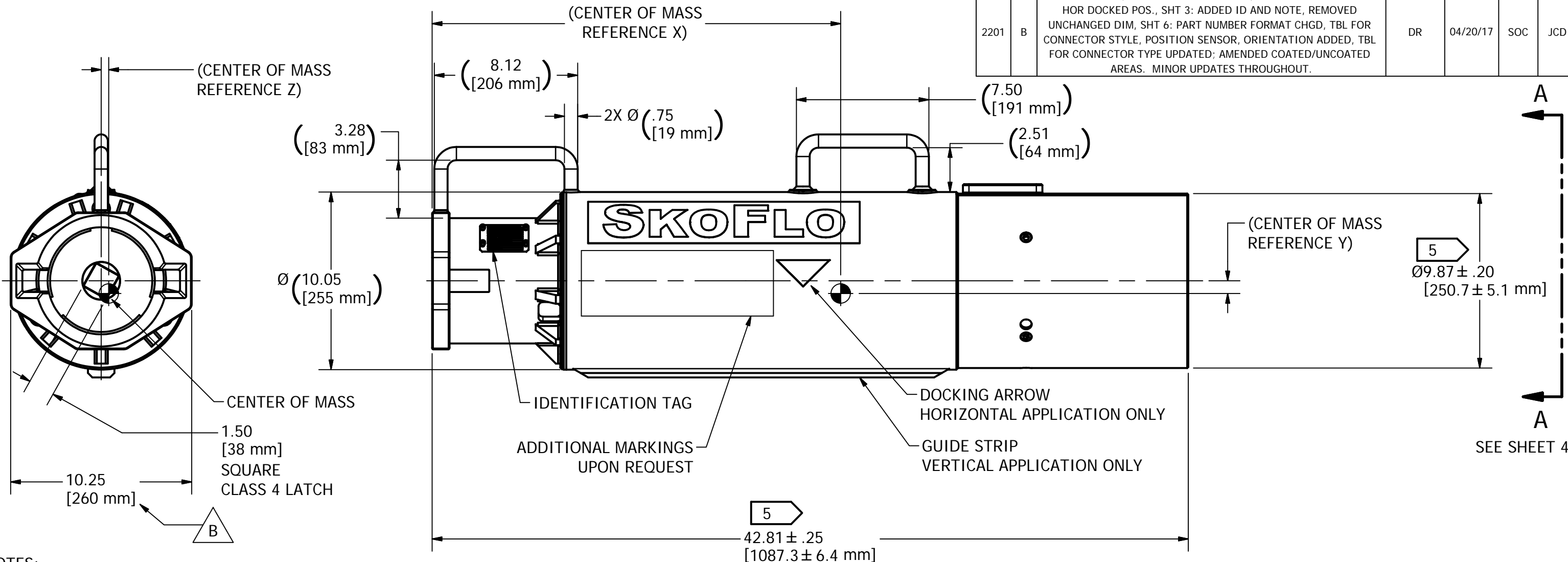
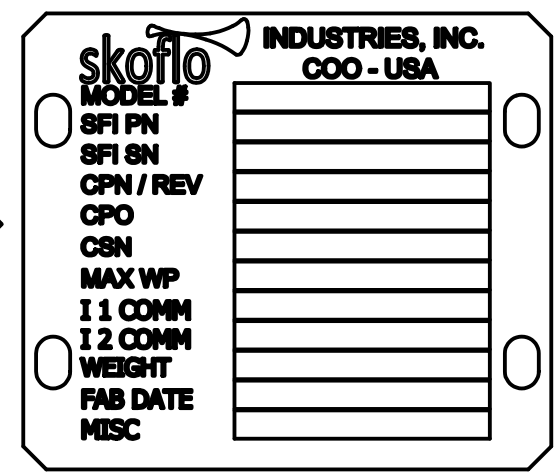


REVISION HISTORY						
ECN	REV	DESCRIPTION	DESIGNER	DATE	ENG 1	ENG 2
	A	INITIAL RELEASE	BU	1/25/16	SOC	MGL
2201	B	TTL BLKS UPDT, SHT 1: ADD FLANGE DIM, SHT 2: ADD REF DIM IN HOR DOCKED POS., SHT 3: ADDED ID AND NOTE, REMOVED UNCHANGED DIM, SHT 6: PART NUMBER FORMAT CHGD, TBL FOR CONNECTOR STYLE, POSITION SENSOR, ORIENTATION ADDED, TBL FOR CONNECTOR TYPE UPDATED; AMENDED COATED/UNCOATED AREAS. MINOR UPDATES THROUGHOUT.	DR	04/20/17	SOC	JCD

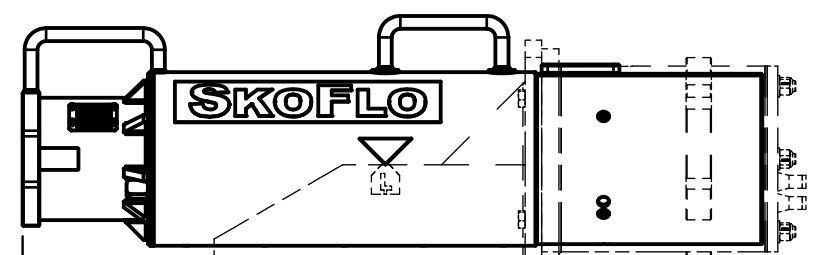


- NOTES:
- 1) RATED WORKING PRESSURE: 10,000 PSI [689 BAR]
  - 2) PROOF TEST PRESSURE: 15,000 PSI [1034 BAR]
  - 3) MIN 400 [542] MAX 500 [678] LB-FT [N·M] TORQUE REQUIRED TO ENGAGE
  - 4) DESIGN DEPTH: 10,000 FT [3,048 M]
- 5 FINAL INSPECTION DIMENSION
- 6 ABBREVIATIONS:
- MODEL #: SKOFLO MODEL NUMBER
  - SFI P/N: SKOFLO PART NUMBER
  - SFI S/N: SKOFLO SERIAL NUMBER
  - CPN / REV: CUSTOMER PART NUMBER / REVISION
  - CPO: CUSTOMER PURCHASE ORDER
  - CSN: CUSTOMER SERIAL NUMBER
  - MAX WP: MAX WORKING PRESSURE
  - I 1 COMM: INLET 1 COMMUNICATION ADDRESS
  - I 2 COMM: INLET 2 COMMUNICATION ADDRESS
  - MISC: MISCELLANEOUS INFORMATION
- 7) THIS DRAWING SHALL BE USED IN CONJUNCTION WITH 23938-SPEC HF CIMV SPECIFICATION SHEET OR 30095-SPEC TFU SPECIFICATION SHEET AND PROJECT SPECIFIC CONFIGURATION SHEET



IDENTIFICATION TAG INFORMATION

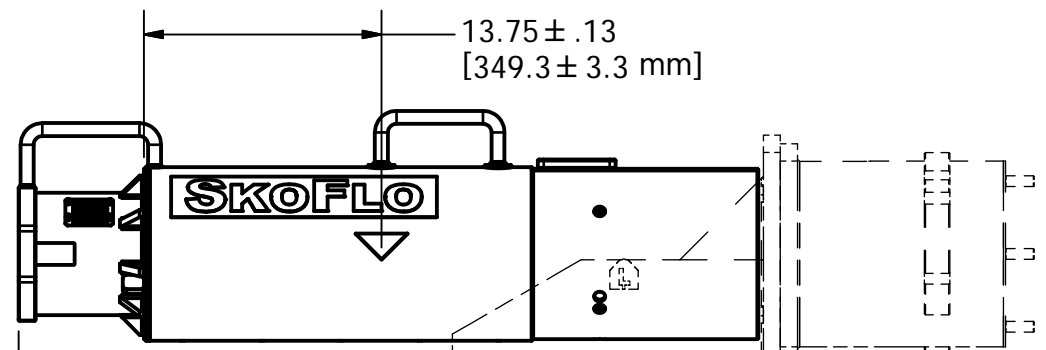
ALL DIMENSIONS IN INCHES UNLESS OTHERWISE SPECIFIED		DRAWN D. Ravichandran 11/29/2016	SKOFLO INDUSTRIES, INC. WOODINVILLE, WA
DRAWING PER ANSI Y14.5M-2009		CHECKED M. LELAND 1/25/2016	
FRACTIONS ± 1/16 .X ± .03 .XX ± .010 .XXX ± .005 .XXXX ± .0005 ANGULAR ± 1°	UNLESS SPECIFIED DEBURR & BREAK EDGES: .015/.005 RMS SURF QUAL: 63 FILLETS: R.015/.003	ENG S. CRELLEY 1/25/2016	SINGLE CORE, HIGH FLOW STRUCTURED PRODUCT GENERAL ARRANGEMENT
THIS DOCUMENT CONTAINS INFORMATION WHICH IS PROPRIETARY TO SKOFLO INDUSTRIES INC. THE INFORMATION CONTAINED HEREIN SHALL NOT BE DISCLOSED, DUPLICATED, USED IN WHOLE OR IN PART FOR ANY PURPOSE OTHER THAN TO EVALUATE THIS DOCUMENT		DWG NO 100251	
SIZE B	SCALE NONE	SHEET 1 OF 6	



(11.0  
[280 mm])  
(29.0  
[737 mm])

B

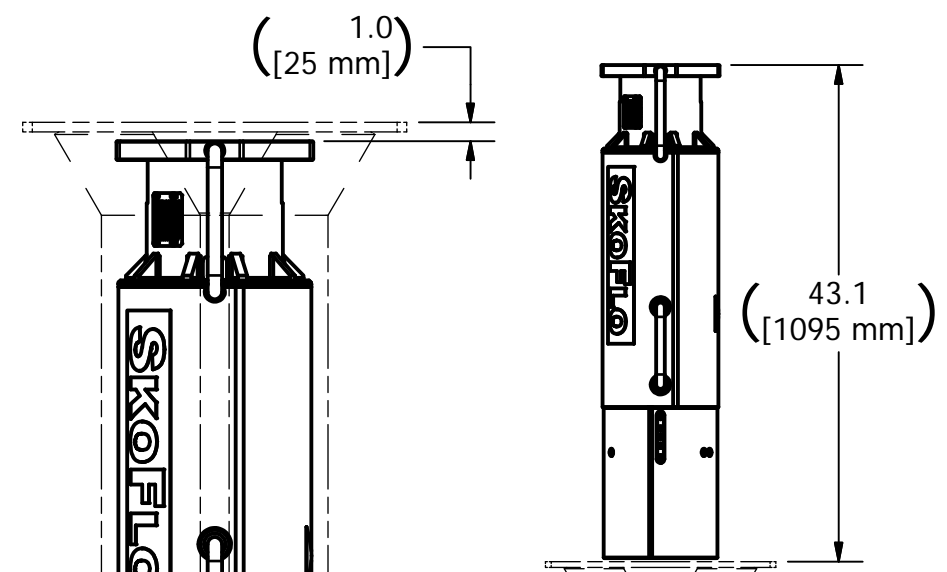
HORIZONTAL DOCKED POSITION



13.75 ± .13  
[349.3 ± 3.3 mm]

(43.1  
[1095 mm])

HORIZONTAL UN-DOCKED POSITION

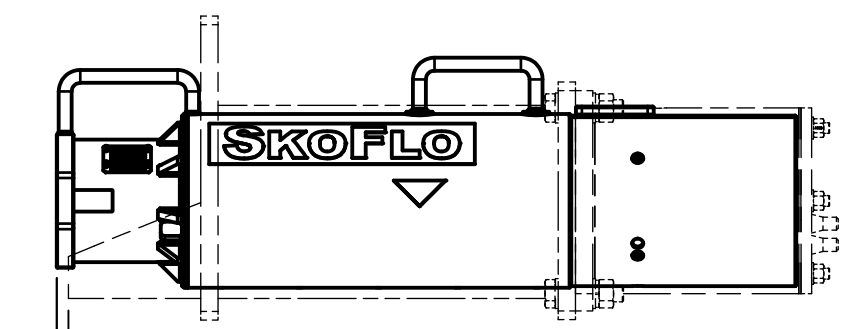


(1.0  
[25 mm])

(43.1  
[1095 mm])

VERTICAL DOCKED POSITION

VERTICAL UN-DOCKED POSITION

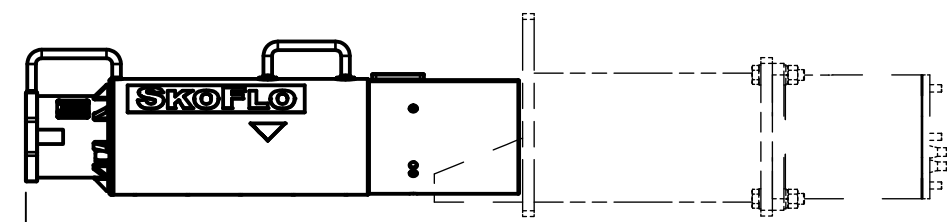


(.7  
[17 mm])

(8.3  
[212 mm])


B

HORIZONTAL EXTENDED DOCKED POSITION

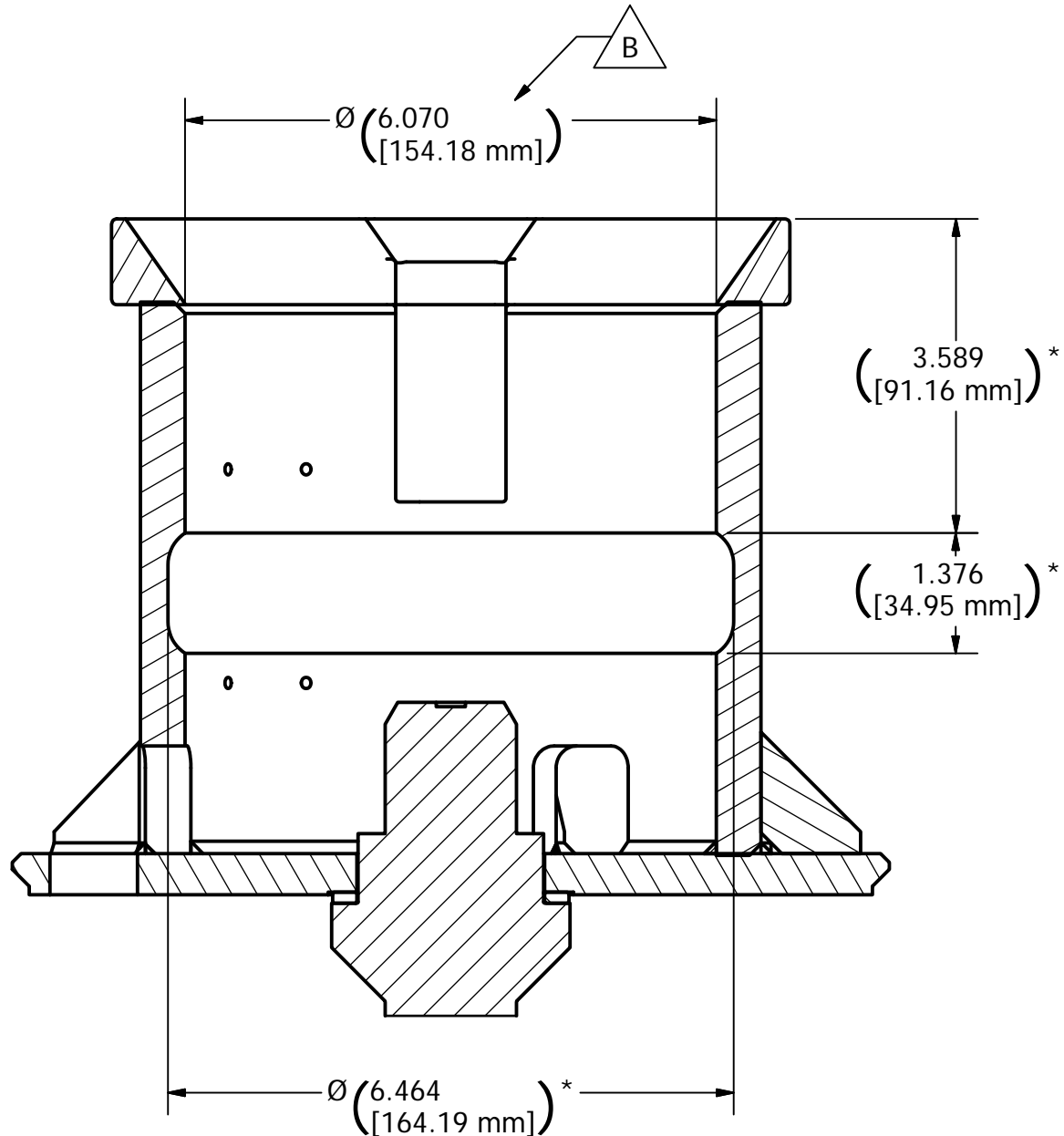


(43.1  
[1095 mm])

HORIZONTAL EXTENDED UN-DOCKED POSITION

ALL DIMENSIONS IN INCHES UNLESS OTHERWISE SPECIFIED		DRAWN D. Ravichandran 11/29/2016	 SKOFLO INDUSTRIES, INC. WOODINVILLE, WA
DRAWING PER ANSI Y14.5M-2009		CHECKED M. LELAND 1/25/2016	
FRACTIONS ± 1/16 .X ± .03 .XX ± .010 .XXX ± .005 .XXXX ± .0005 ANGULAR ± 1°		ENG S. CRELLEY 1/25/2016	SINGLE CORE, HIGH FLOW STRUCTURED PRODUCT GENERAL ARRANGEMENT
UNLESS SPECIFIED DEBURR & BREAK EDGES: .015/.005 RMS SURF QUAL: 63 FILLETS: R.015/.003		THIS DOCUMENT CONTAINS INFORMATION WHICH IS PROPRIETARY TO SKOFLO INDUSTRIES INC. THE INFORMATION CONTAINED HEREIN SHALL NOT BE DISCLOSED, DUPLICATED, USED IN WHOLE OR IN PART FOR ANY PURPOSE OTHER THAN TO EVALUATE THIS DOCUMENT	
		DWG NO 100251	REV B
		SIZE B	SCALE NONE
		SHEET 2 OF 6	


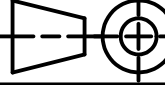
B



API 17H MODIFIED  
CLASS 4 BUCKET

\* MODIFIED DIMENSIONS FROM API 17H CLASS 4 BUCKET



ALL DIMENSIONS IN INCHES UNLESS OTHERWISE SPECIFIED		DRAWN D. Ravichandran 11/29/2016	 SKOFLO INDUSTRIES, INC. WOODINVILLE, WA
DRAWING PER ANSI Y14.5M-2009		CHECKED M. LELAND 1/25/2016	
FRACTIONS $\pm 1/16$ .X $\pm .03$ .XX $\pm .010$ .XXX $\pm .005$ .XXXX $\pm .0005$ ANGULAR $\pm 1^\circ$			SINGLE CORE, HIGH FLOW STRUCTURED PRODUCT GENERAL ARRANGEMENT
UNLESS SPECIFIED DEBURR & BREAK EDGES: .015/.005 RMS SURF QUAL: 63 FILLETS: R.015/.003		ENG S. CRELLEY 1/25/2016	
<small>THIS DOCUMENT CONTAINS INFORMATION WHICH IS PROPRIETARY TO SKOFLO INDUSTRIES INC. THE INFORMATION CONTAINED HEREIN SHALL NOT BE DISCLOSED, DUPLICATED, USED IN WHOLE OR IN PART FOR ANY PURPOSE OTHER THAN TO EVALUATE THIS DOCUMENT</small>		DWG NO 100251	REV B
SIZE B		SCALE NONE	SHEET 3 OF 6

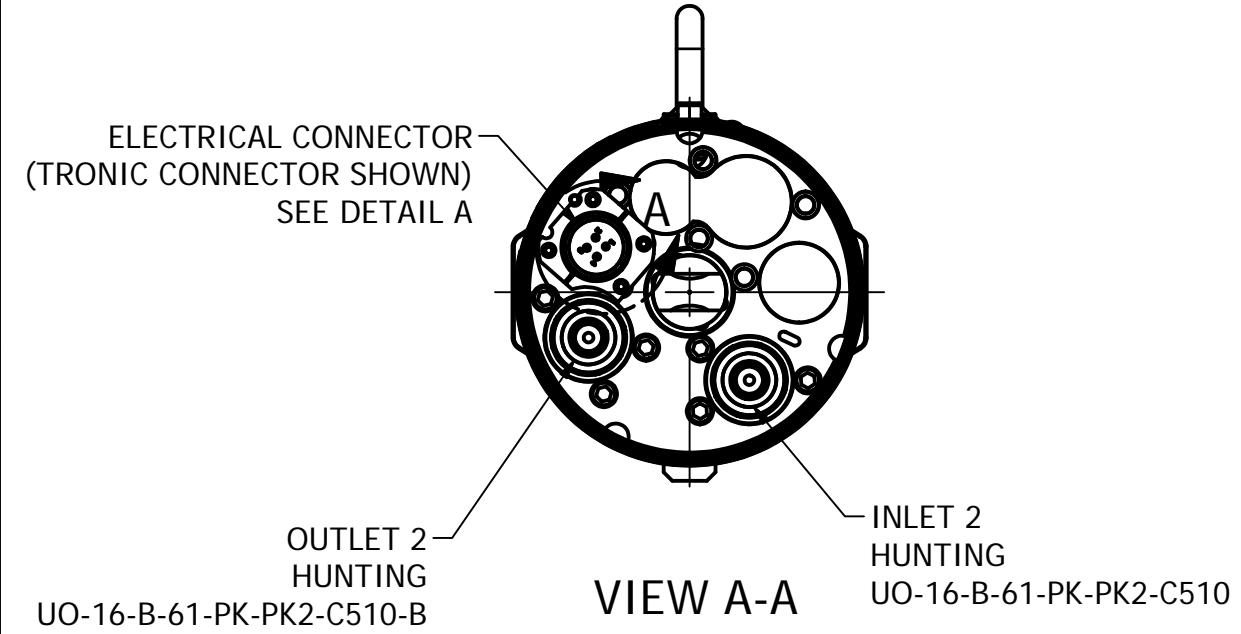
8 7 6 5 4 3 2


D

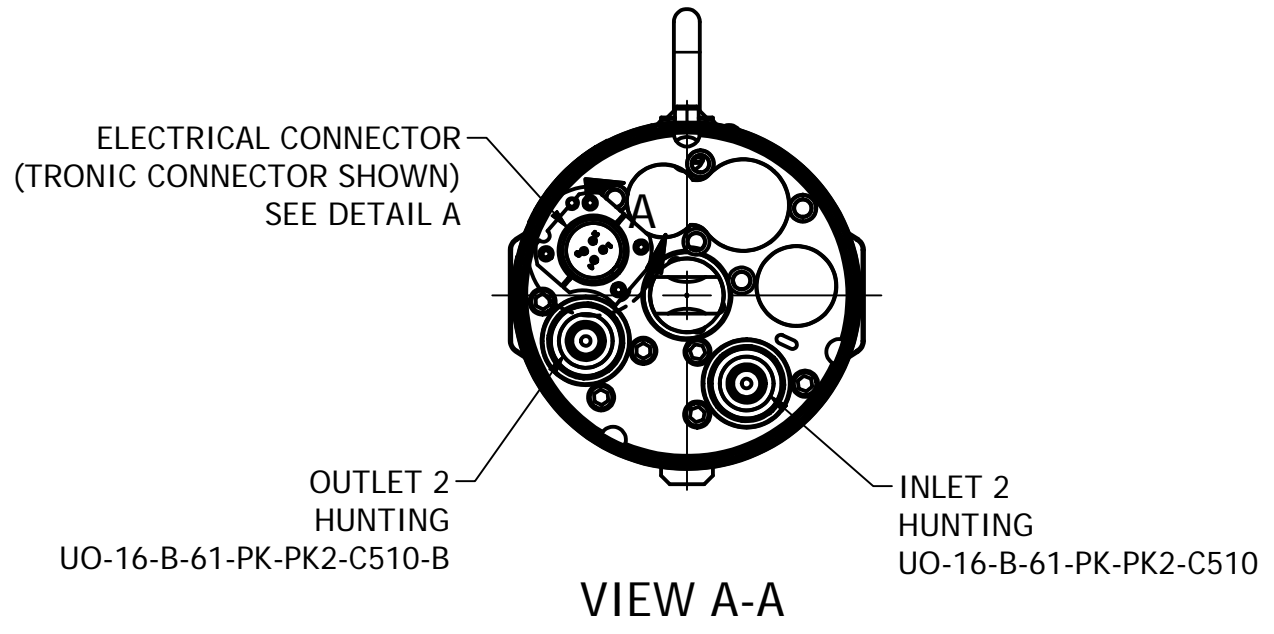
C


B

A

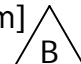


**SINGLE CORE: HF CIMV**  
 P/N 100251-0000-H12X-S-XXX-00-X  
 (SEE SHEET 6 FOR CONFIGURATIONS) 

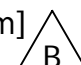



**SINGLE CORE: HF TFU**  
 P/N 100251-0000-HTFU-S-XXX-XX-X   
 (SEE SHEET 6 FOR CONFIGURATIONS)  
 FOR TFUS WITH SENSORS, SEE APPLICABLE CONNECTOR VIEW, DETAIL A

**SINGLE CORE: HF CIMV CONFIGURATION SPECIFIC NOTES**

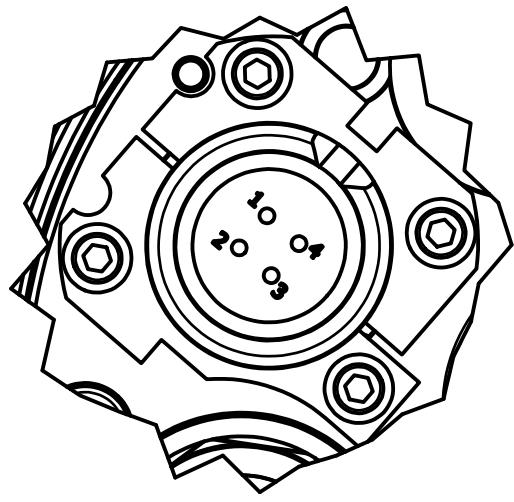
- 1) NOMINAL WEIGHT IN AIR: 235 Lb [107 Kg]
- 2) NOMINAL WEIGHT IN WATER: 200 Lb [91 Kg]
- 3) UNCOATED SURFACE AREA: 2,200 Sq In [1.419 Sq m] 
- 4) COATED SURFACE AREA: 2,125 Sq In [1.371 Sq m]
- 5) REFERENCE X DIMENSION: (22.97 [583 mm])
- 6) REFERENCE Y DIMENSION: (.72 [18 mm])
- 7) REFERENCE Z DIMENSION: (.46 [12 mm])

**SINGLE CORE: HF TFU CONFIGURATION SPECIFIC NOTES**

- 1) NOMINAL WEIGHT IN AIR: 175 Lb [79 Kg]
- 2) NOMINAL WEIGHT IN WATER: 149 Lb [67 Kg]
- 3) UNCOATED SURFACE AREA: 1,940 Sq In [1.252 Sq m] 
- 4) COATED SURFACE AREA: 2,125 Sq In [1.371 Sq m]
- 5) REFERENCE X DIMENSION: (22.93 [582 mm])
- 6) REFERENCE Y DIMENSION: (.28 [7 mm])
- 7) REFERENCE Z DIMENSION: (.24 [6 mm])

ALL DIMENSIONS IN INCHES UNLESS OTHERWISE SPECIFIED		DRAWN D. Ravichandran 11/29/2016			SKOFLO INDUSTRIES, INC. WOODINVILLE, WA	
DRAWING PER ANSI Y14.5M-2009		CHECKED M. LELAND 1/25/2016			SINGLE CORE, HIGH FLOW STRUCTURED PRODUCT GENERAL ARRANGEMENT	
FRACTIONS ± 1/16 .X ± .03 .XX ± .010 .XXX ± .005 .XXXX ± .0005 ANGULAR ± 1°		UNLESS SPECIFIED DEBURR & BREAK EDGES: .015/.005 RMS SURF QUAL: 63 FILLETS: R.015/.003		ENG S. CRELLEY 1/25/2016		
				THIS DOCUMENT CONTAINS INFORMATION WHICH IS PROPRIETARY TO SKOFLO INDUSTRIES INC. THE INFORMATION CONTAINED HEREIN SHALL NOT BE DISCLOSED, DUPLICATED, USED IN WHOLE OR IN PART FOR ANY PURPOSE OTHER THAN TO EVALUATE THIS DOCUMENT		REV B
				SIZE B SCALE NONE		SHEET 4 OF 6

8 7 6 5 4 3 2 1



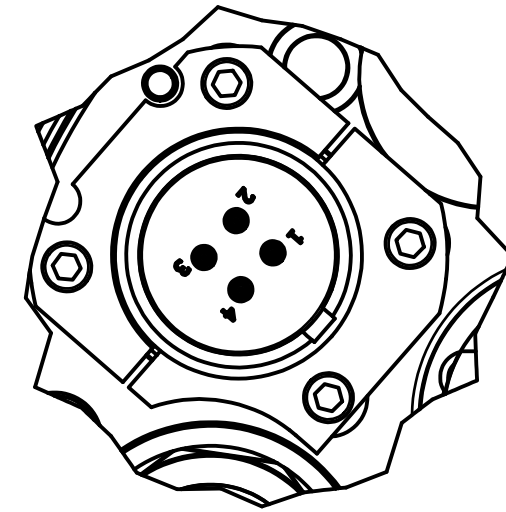
DETAIL A

**PROVIDED WITH ODI CONNECTOR**

SINGLE CORE: HF CIMV

<sup>1</sup>SINGLE CORE: HF TFU

ODI P/N FAK-385-01-2  
PINS IN KEYWAYED FEMALE SHELL



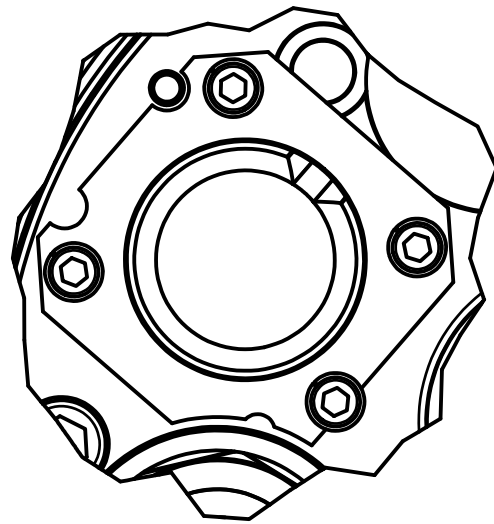
DETAIL A

**PROVIDED WITH TRONIC CONNECTOR**

SINGLE CORE: HF CIMV

<sup>1</sup>SINGLE CORE: HF TFU

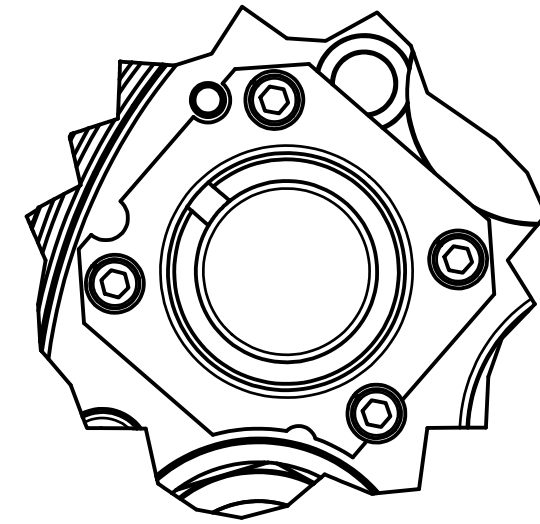
TRONIC P/N BSSP-10-B025-AA-DB-MC04P  
PINS IN KEYWAYED FEMALE SHELL



DETAIL A

**PROVIDED WITH ODI MARINE GROWTH COVER**

SINGLE CORE: HF TFU


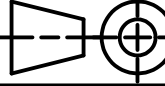


DETAIL A

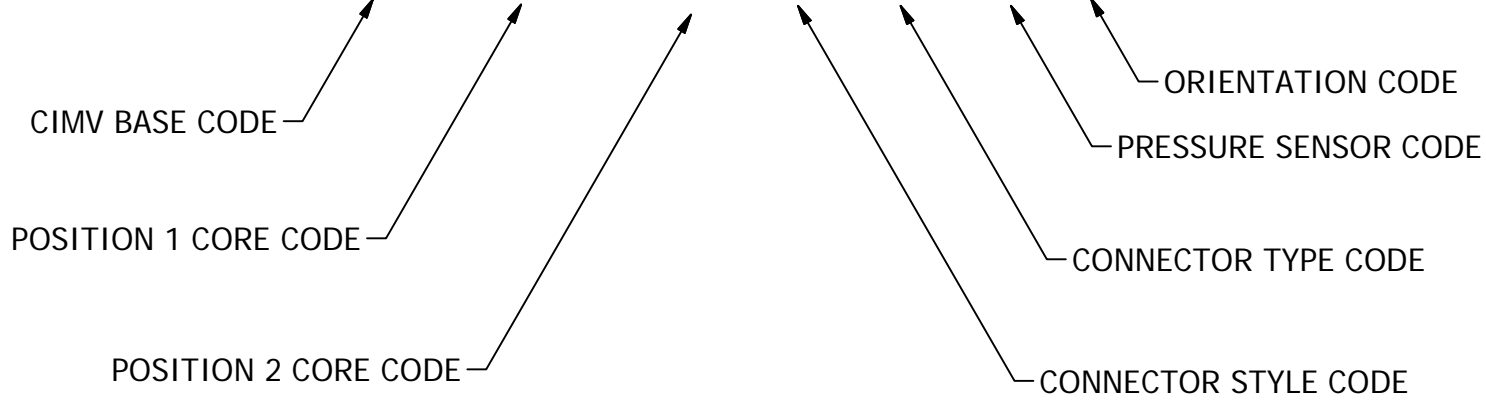
**PROVIDED WITH TRONIC MARINE GROWTH COVER**

SINGLE CORE: HF TFU

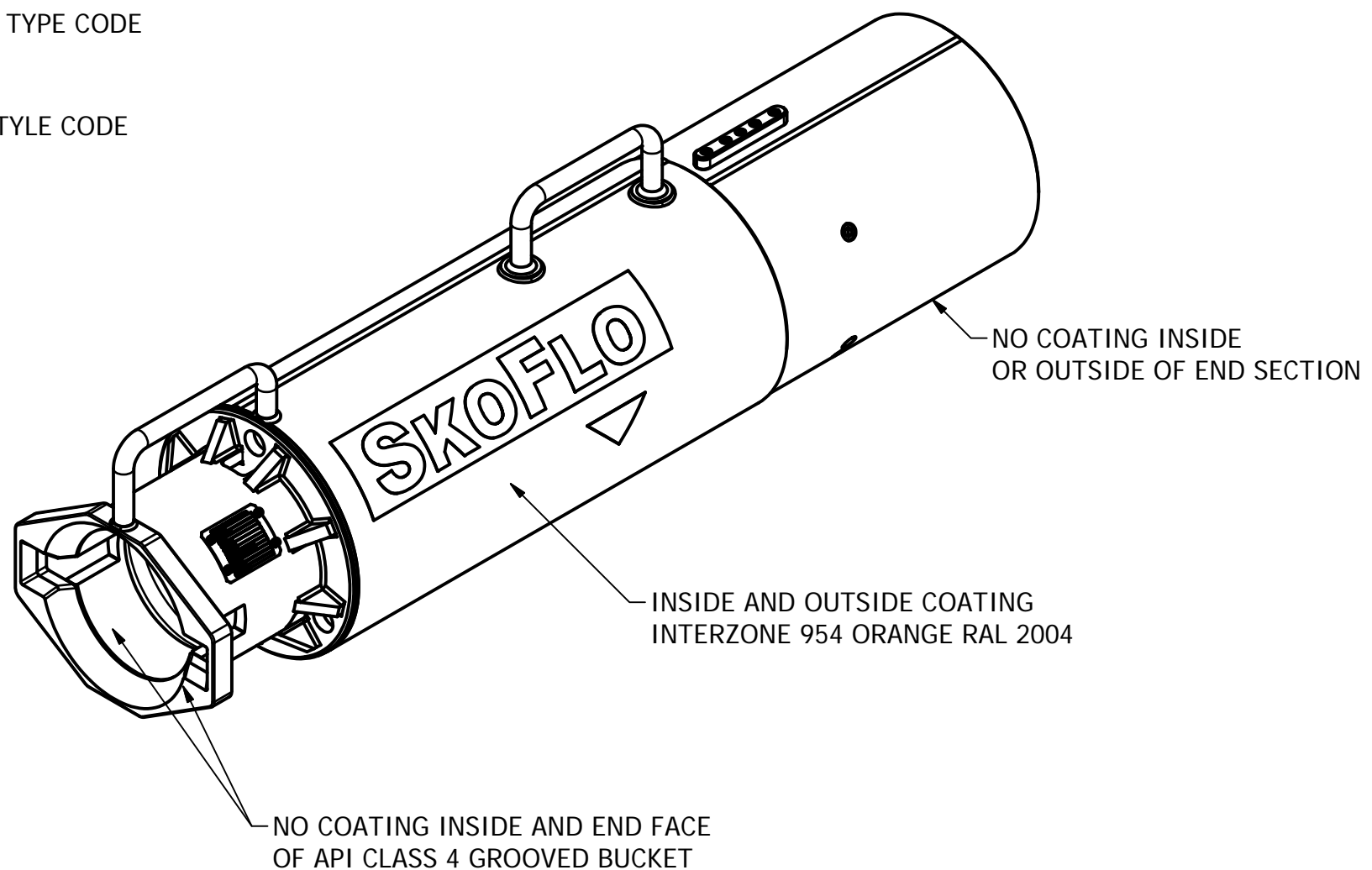
<sup>1</sup>WHEN SUPPLIED WITH OPTIONAL PRESSURE SENSOR

ALL DIMENSIONS IN INCHES UNLESS OTHERWISE SPECIFIED		DRAWN D. Ravichandran 11/29/2016	 SKOFLO INDUSTRIES, INC. WOODINVILLE, WA
DRAWING PER ANSI Y14.5M-2009		CHECKED M. LELAND 1/25/2016	
FRACTIONS ± 1/16 .X ± .03 .XX ± .010 .XXX ± .005 .XXXX ± .0005 ANGULAR ± 1°		 UNLESS SPECIFIED DEBURR & BREAK EDGES: .015/.005 RMS SURF QUAL: 63 FILLETS: R.015/.003	ENG S. CRELLEY 1/25/2016 THIS DOCUMENT CONTAINS INFORMATION WHICH IS PROPRIETARY TO SKOFLO INDUSTRIES INC. THE INFORMATION CONTAINED HEREIN SHALL NOT BE DISCLOSED, DUPLICATED, USED IN WHOLE OR IN PART FOR ANY PURPOSE OTHER THAN TO EVALUATE THIS DOCUMENT
		DWG NO 100251 SIZE B SCALE NONE SHEET 5 OF 6	

# SKOFLO PART NUMBER: 100251-0000-XXXX-S-XXX-XX-X



CORE (XXXX)	DESCRIPTION	FLOW RANGE (GPM)	FLOW RANGE (LPH)
H120	HIGH FLOW CIMV	0.10 – 1.5	23 - 341
H121	HIGH FLOW CIMV	0.13 – 2.5	28 - 568
H122	HIGH FLOW CIMV	0.25 – 5.0	57 – 1136
H123	HIGH FLOW CIMV	0.50 – 10.0	114 - 2271
H124	HIGH FLOW CIMV	0.75 – 15.0	170 – 3407
H125	HIGH FLOW CIMV	1.00 – 20.0	227 – 4542
H126	HIGH FLOW CIMV	1.50 – 30.0	341 – 6814
H127	HIGH FLOW CIMV	2.00 – 40.0	454 – 9085
H128	HIGH FLOW CIMV	2.40 – 48.5	550 - 11015
HTFU	HIGH FLOW TEST FLUSHING UNIT	N/A	N/A
0000	EMPTY	N/A	N/A



CONNECTOR STYLE (X)	DESCRIPTION
S	STAB MATE

CONNECTOR TYPE (XXX)	DESCRIPTION
ODI	ODI CONNECTOR
TRO	TRONIC CONNECTOR

PRESSURE SENSOR (XX)	DESCRIPTION
CS	CANBUS SENSOR
00	NO SENSOR

FOR TFU W/STAND ALONE SENSOR ONLY  
DOES NOT AFFECT CIMV SENSOR

ORIENTATION (X)	DESCRIPTION
H	HORIZONTAL ORIENTATION
V	VERTICAL ORIENTATION

ALL DIMENSIONS IN INCHES UNLESS OTHERWISE SPECIFIED		DRAWN <b>D. Ravichandran</b> 11/29/2016 CHECKED <b>M. LELAND</b> 1/25/2016 MFG	SKOFLO INDUSTRIES, INC. WOODINVILLE, WA
DRAWING PER ANSI Y14.5M-2009		ENG <b>S. CRELLEY</b> 1/25/2016 THIS DOCUMENT CONTAINS INFORMATION WHICH IS PROPRIETARY TO SKOFLO INDUSTRIES INC. THE INFORMATION CONTAINED HEREIN SHALL NOT BE DISCLOSED, DUPLICATED, USED IN WHOLE OR IN PART FOR ANY PURPOSE OTHER THAN TO EVALUATE THIS DOCUMENT	
FRACTIONS ± 1/16 .X ± .03 .XX ± .010 .XXX ± .005 .XXXX ± .0005 ANGULAR ± 1°		UNLESS SPECIFIED DEBURR & BREAK EDGES: .015/.005 RMS SURF QUAL: 63 FILLETS: R.015/.003	DWG NO <b>100251</b> SIZE <b>B</b> SCALE <b>NONE</b> SHEET <b>6</b> OF <b>6</b>

**SINGLE CORE, HIGH FLOW  
STRUCTURED PRODUCT  
GENERAL ARRANGEMENT**