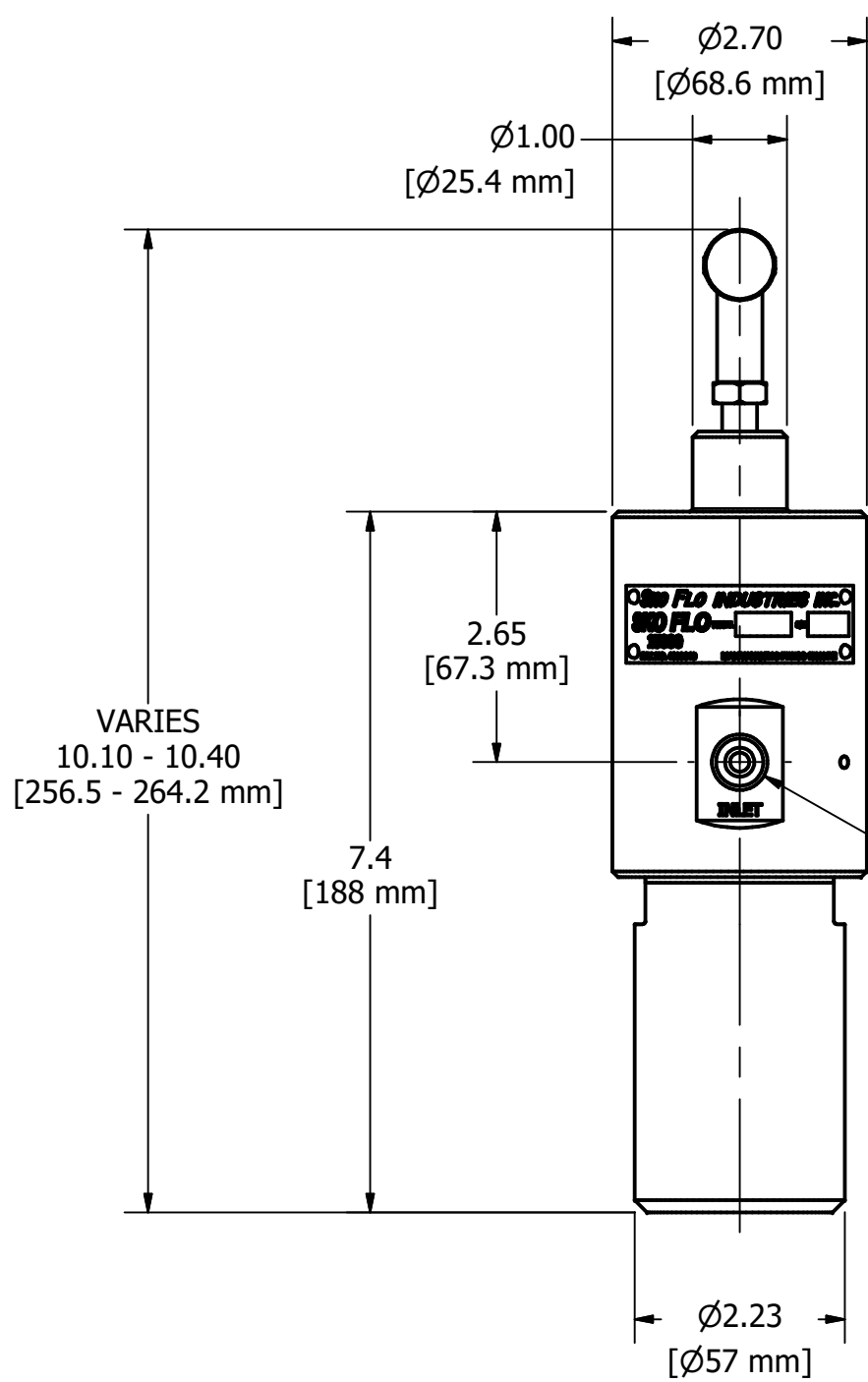
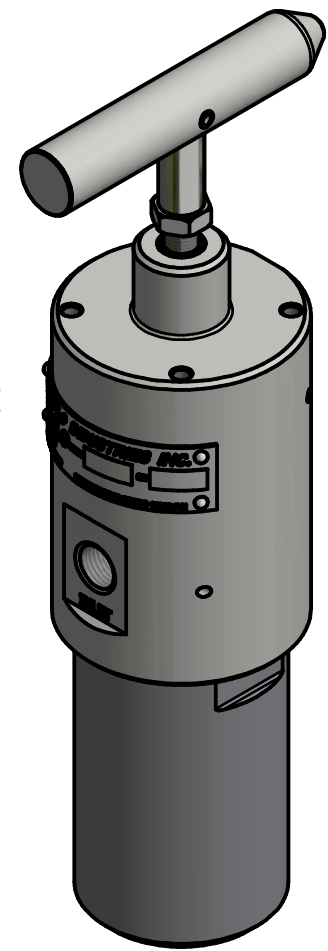
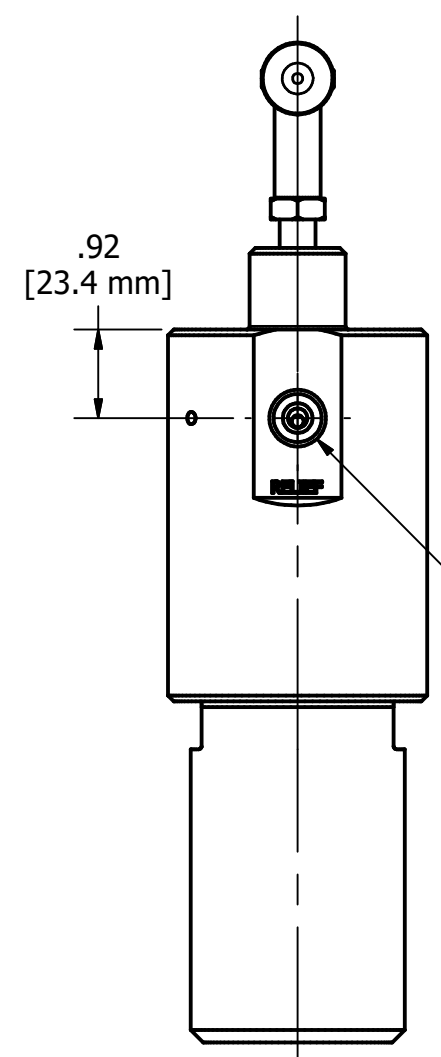
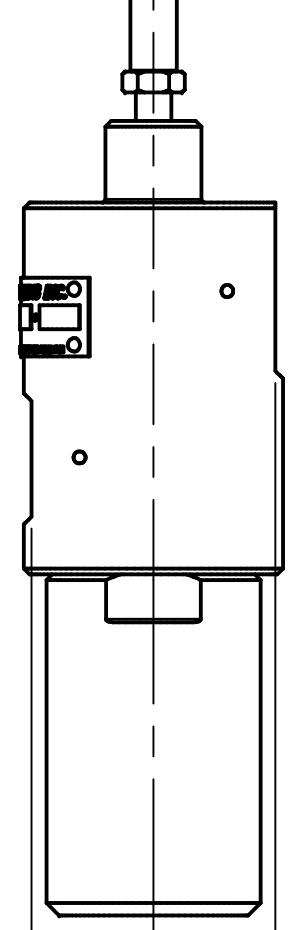
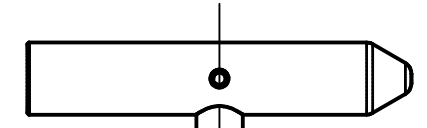
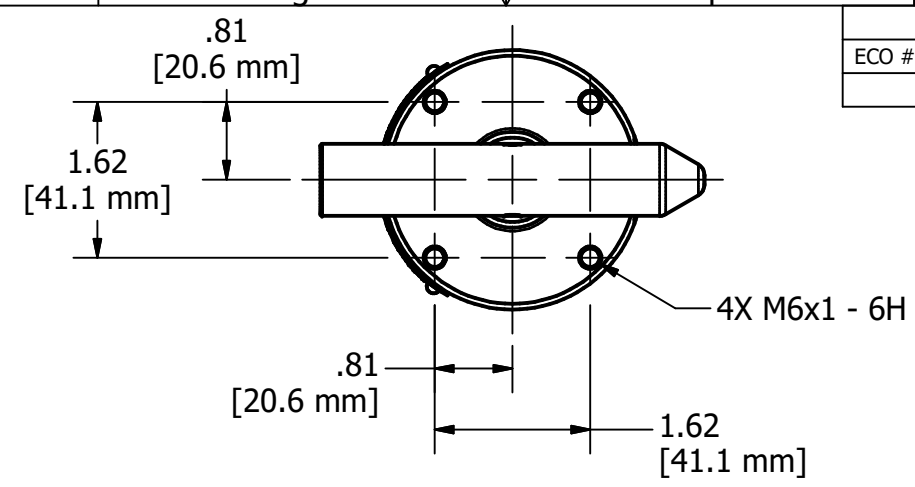


REVISION HISTORY							
ECO #	REV	DESCRIPTION	DATE	DRAWN	ENG1	ENG2	OTHER
	A	INITIAL RELEASE	4/2/19	EF	NA	JM	



INLET
3/8" MP AUTOCLAVE

RELIEF
3/8" MP AUTOCLAVE



5 VENT
1/4" NPT

- NOTES:
- 1) NOMINAL WEIGHT = 18 lbs [8 kg]
 - 2) RATED WORKING PRESSURE = 15,000 psi [1,034 bar]
 - 3) PROOF TEST PRESSURE = 22,500 psi [1,551 bar]
 - 4) PRESSURE RANGE = 10,000 - 15,000 psi [689 - 1,034 bar]
 - 5) DO NOT BLOCK VENT

ALL DIMENSIONS IN INCHES UNLESS OTHERWISE SPECIFIED	DRAWN E. FAIRCHILD 3/21/2019		SKOFLO INDUSTRIES, INC. WOODINVILLE, WA
DRAWING PER ANSI Y14.5M-2009	ENG1 N. ALLEY 4/2/2019		VALVE ASSEMBLY, SURFACE BPR15000B, MANUAL
FRACTIONS ± 1/16 X ± .03 .XX ± .010 .XXX ± .005 X.XXX ± .0005 ANGULAR ± 3°	ENG2 J. MOORE 4/2/2019	ENVELOPE DRAWING	DWG NO BPR15000B-MA
UNLESS SPECIFIED DEBURRED & BREAK EDGES: 0.15/0.05 Ra SURF. QUAL: 63 FILLETS: R.020/0.08 DRILL POINT: 110-150°	OTHER	THIS DOCUMENT CONTAINS INFORMATION WHICH IS PROPRIETARY TO SKOFLO INDUSTRIES INC. THE INFORMATION CONTAINED HEREIN SHALL NOT BE DISCLOSED, DUPLICATED, USED IN WHOLE OR IN PART FOR ANY PURPOSE OTHER THAN TO EVALUATE THIS DOCUMENT	SCALE NONE
		SIZE B	SHEET 1 OF 2

CONFIGURATION NUMBER GUIDE

BPR15000B	-	X	-	X	-	XXXX	-	MA
10,000-15,000 psi		6	1 0-400 gpd		EPDM			
SPRING STACK			2 0-800 gpd		FFKM			
PRESSURE RANGE			3 100-2000 gpd		FKM			
			FLOW RATE RANGE		FKMB			
					HNBR			
					SEAL CODE			

TABLE 1: O-RING COMPOUND SELECTION

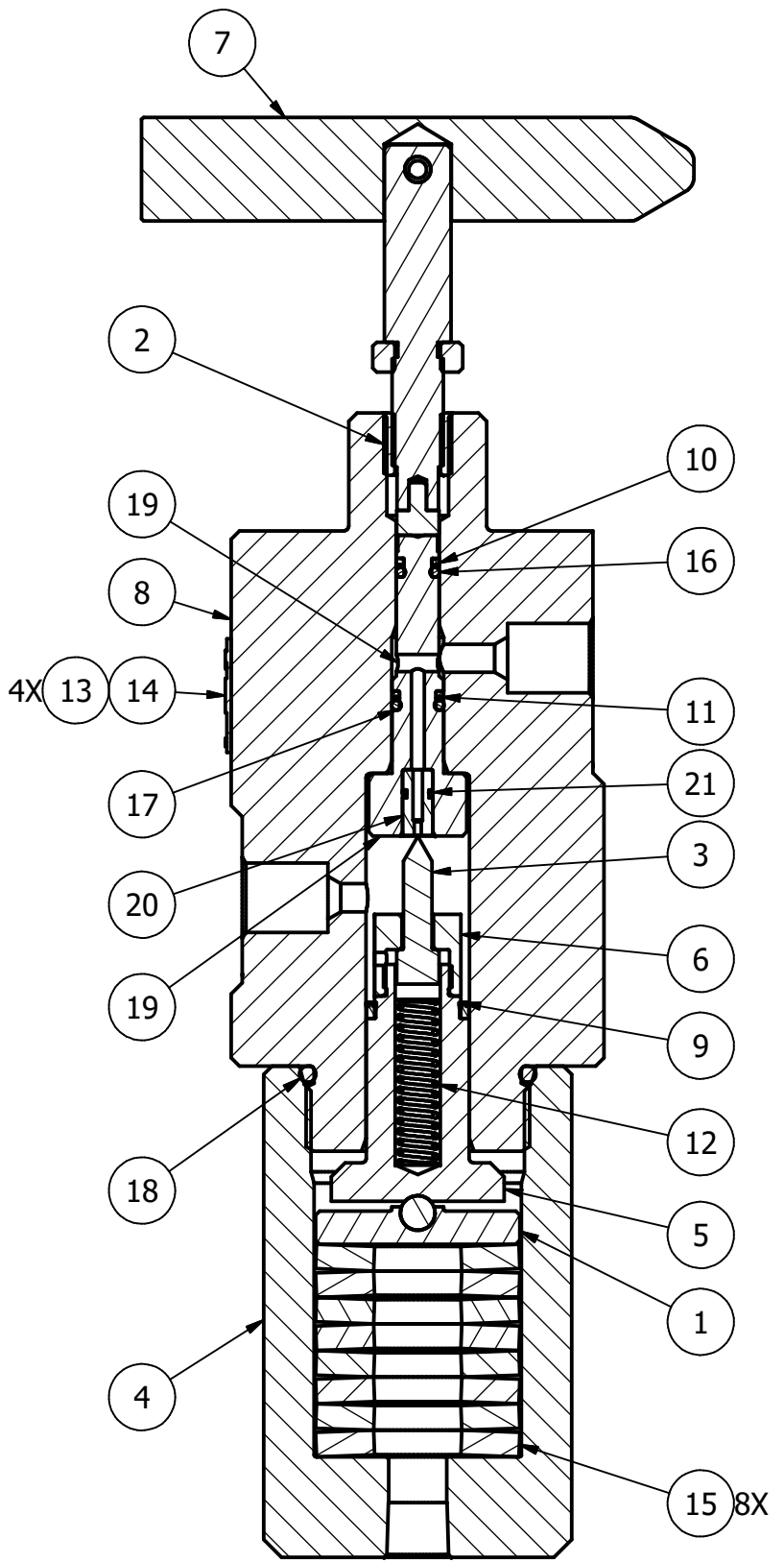
ITEM	EPDM	FFKM	FKM	FKMB	HNBR	DESCRIPTION
16	71001729	71001732	71001730	71003553	71004919	SL, O-RING, 2-008
17	71001738	71006901	71006807	71005994	71006929	SL, O-RING, 2-010
18	71001833	71001836	71001834	71005996	71005995	SL, O-RING, 3-920


TABLE 2: FLOW RATE RANGE SELECTION

ITEM	0-400 gpd	0-800 gpd	100-2000 gpd	DESCRIPTION
19	30925-001	30925-001	30925-002	SEAT HOLDER
20	21358	21358	20121	SEAT
21	N/A	N/A	71004402	O-RING

PARTS LIST

ITEM	QTY	PART NUMBER	DESCRIPTION	MATERIAL
1	1	10179	ASSY, WASHER, SPRING STACK, BPR, LF, SURFACE	SEE DWG 10179
2	1	20096	BUSHING, THREADED (3/8 X 1/2)	AI-NI-BRZ
3	1	20200	PIN, Ø.207, LONG	CERAMIC - PROPRIETARY
4	1	20234	BASE, BPR, LF, SURFACE	NITRONIC 60
5	1	20237	PISTON, BPR, LF, SURFACE	NITRONIC 60
6	1	20238	HOLDER, PIN, BPR, LF, SURFACE	316L SS
7	1	22211	HANDLE, ASSY, COMPLETE, BPR, LF, SURFACE	SEE DWG 22211
8	1	27510	BODY, BPR10000C/15000B, 3/8 AE PORTS	NITRONIC 50 HS
9	1	71001871	SL, CUP, .75 OD X .625 ID	SEE DWG 71001871
10	1	71001922	BU RING, 8-008 (46-207)	PEEK
11	1	71001924	BU RING, 8-010 46-272	PEEK
12	1	71002074	SPRING, PIN, BPR, LF, SURFACE	316 SS
13	4	71002116	U-DRIVE SCREW, RH, #2X1/4	302 SS
14	1	71002143	NAMEPLATE, BPR15000B	316L SS
15	8	71005992	SPRING, WASHER, Ø1.480 OD x Ø.625 ID, .177 TH	INCONEL X-750
16	1	SEE TABLE 1	SL, O-RING, 2-008	SEE TABLE 1
17	1	SEE TABLE 1	SL, O-RING, 2-010	SEE TABLE 1
18	1	SEE TABLE 1	SL, O-RING, 3-920	SEE TABLE 1
19	1	SEE TABLE 2	HOLDER, SEAT	NITRONIC 50 HS
20	1	SEE TABLE 2	SEAT	SEE DWG
21	1	SEE TABLE 2	SL, ORING	FFKM



ALL DIMENSIONS IN INCHES UNLESS OTHERWISE SPECIFIED	DRAWN E. FAIRCHILD 3/21/2019	 SKOFLO INDUSTRIES, INC. WOODINVILLE, WA
DRAWING PER ANSI Y14.5M-2009	ENG1 N. ALLEY 4/2/2019 ENG2 J. MOORE 4/2/2019 OTHER	
FRACTIONS ± 1/16 X ± .03 .XX ± .010 .XXX ± .005 .XXX ± .0005 ANGULAR ± 3°	UNLESS SPECIFIED DEBurr & BREAK EDGES: 0.15/005 Ra SURF QUAL: 63 FILLETS: R.020/008 DRILL POINT: 110-150°	THIS DOCUMENT CONTAINS INFORMATION WHICH IS PROPRIETARY TO SKOFLO INDUSTRIES INC. THE INFORMATION CONTAINED HEREIN SHALL NOT BE DISCLOSED, DUPLICATED, USED IN WHOLE OR IN PART FOR ANY PURPOSE OTHER THAN TO EVALUATE THIS DOCUMENT
VALVE ASSEMBLY, SURFACE BPR15000B, MANUAL BOM		DWG NO BPR15000B-MA
SIZE B SCALE NONE SHEET 2 OF 2		REV A