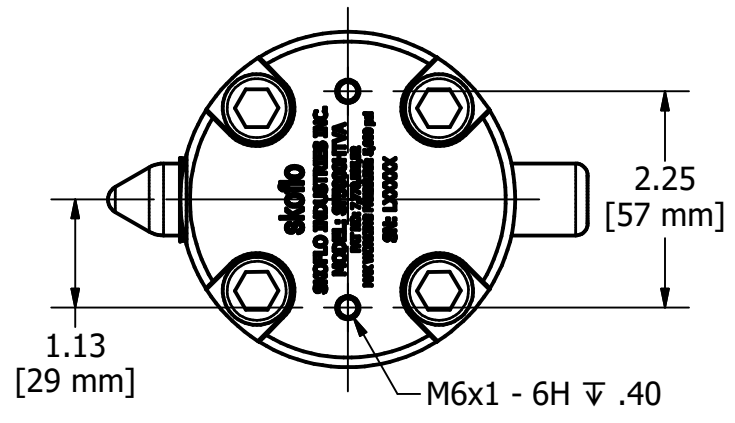
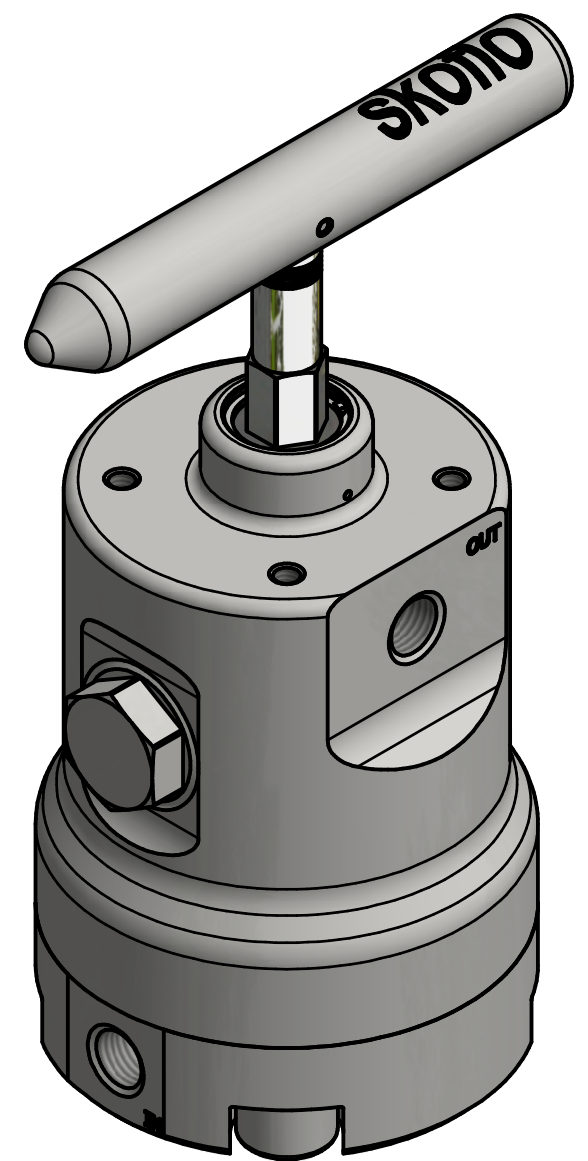
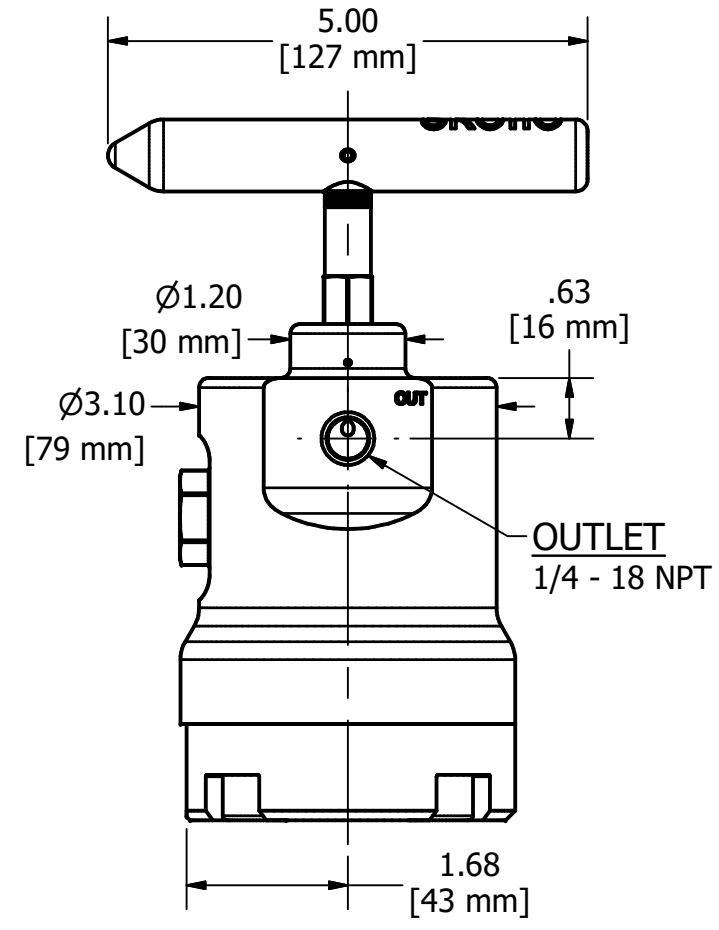
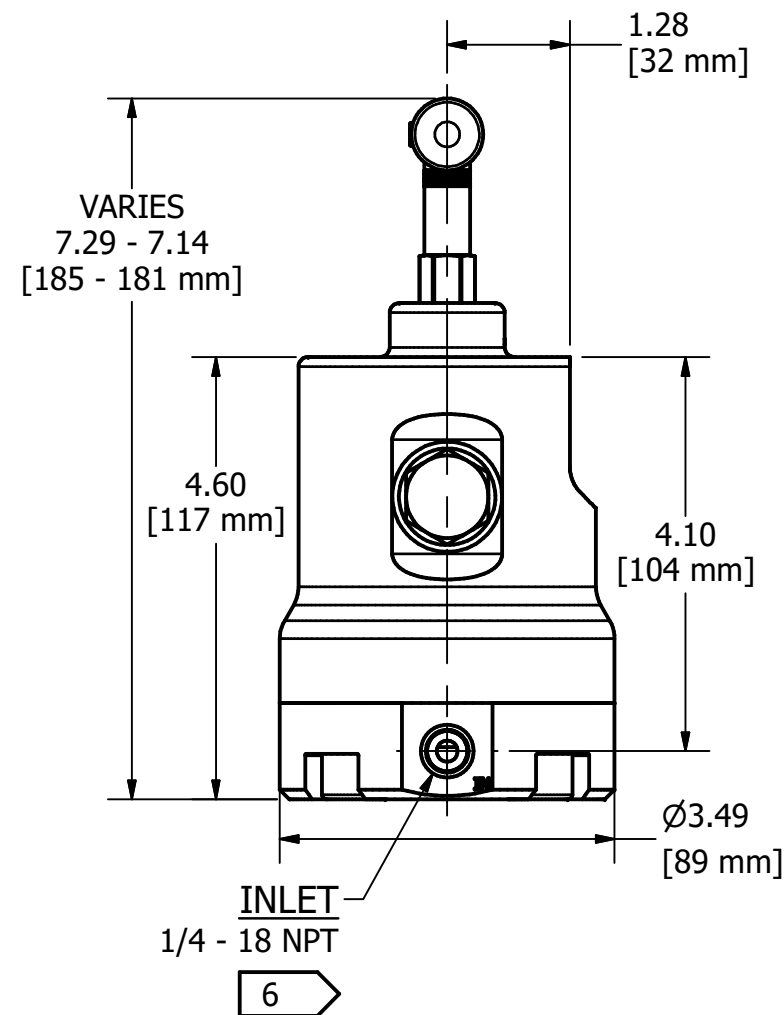
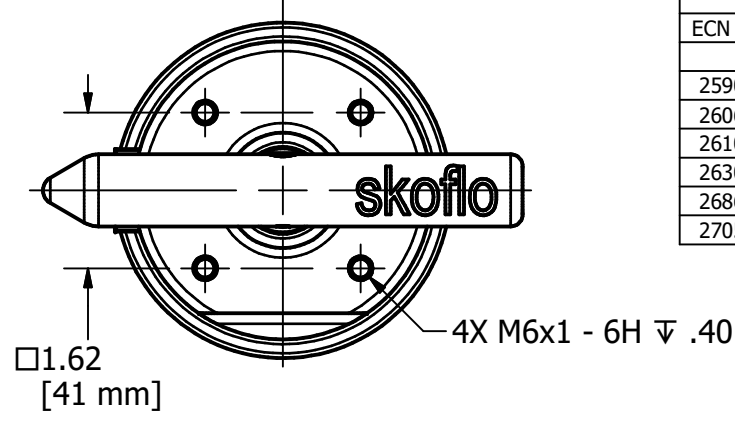


REVISION HISTORY							
ECN #	REV	DESCRIPTION	DATE	DRAWN	ENG1	ENG2	OTHER
	A	INITIAL RELEASE	7/19/18	JM	SS	JCD	
2590	B	PART 30842 WAS 30470	8/22/18	JM	NA	SS	
2606	C	GATE PAD TORQUE WAS 34 FT.LBF	10/4/18	JM	SS	NA	
2610	D	71006807 WAS 71001739	10/22/18	JM	NA	SS	
2630	E	71007136 WAS 71007042	12/4/18	JM	NA	MK	
2686	F	ADD ACTUATED CONFIGURATION, ADD TABLE 3	3/28/19	JM	NA	JCD	
2705	G	SHT 2, TABLE 2: 30470 WAS 30842	5/28/19	EF	JM	NA	



- NOTES:
- 1) NOMINAL WEIGHT = 11.3 lb [5.1 kg]
 - 2) RATED WORKING PRESSURE = 5,000 psi [345 bar]
 - 3) PROOF TEST PRESSURE = 7,500 psi [517 bar]
 - 4) FLOW RATE RANGES:
 - a) 0.6 - 700 gpd
 - b) 50 - 2,500 gpd
 - 5) MANUAL CONFIGURATION SHOWN
 - 6) ORIENTATION CAN BE ADJUSTED IN 90° INCREMENTS

ALL DIMENSIONS IN INCHES UNLESS OTHERWISE SPECIFIED		DRAWN J.MOORE 7/20/2018	SKOFLO INDUSTRIES, INC. WOODINVILLE, WA
DRAWING PER ANSI Y14.5M-2009		ENG1 S.SPAHI 7/20/2018	
FRACTIONS ± 1/16 X ± .03 .XX ± .010 .XXX ± .005 XXX ± .0005 ANGULAR ± 3°	UNLESS SPECIFIED DEBURRED & BREAK EDGES: 0.15/005 Ra SURF. QUAL: 63 FILLETS: R.020/008 DRILL POINT: 110-150°	ENG2 J.DUSCHLETTA 7/20/2018	VALVE ASSEMBLY, SURFACE, SF5000HTVA ENVELOPE DRAWING SF5000HTVA-MA
THIS DOCUMENT CONTAINS INFORMATION WHICH IS PROPRIETARY TO SKOFLO INDUSTRIES INC. THE INFORMATION CONTAINED HEREIN SHALL NOT BE DISCLOSED, DUPLICATED, USED IN WHOLE OR IN PART FOR ANY PURPOSE OTHER THAN TO EVALUATE THIS DOCUMENT		OTHER	

CONFIGURATION NUMBER GUIDE

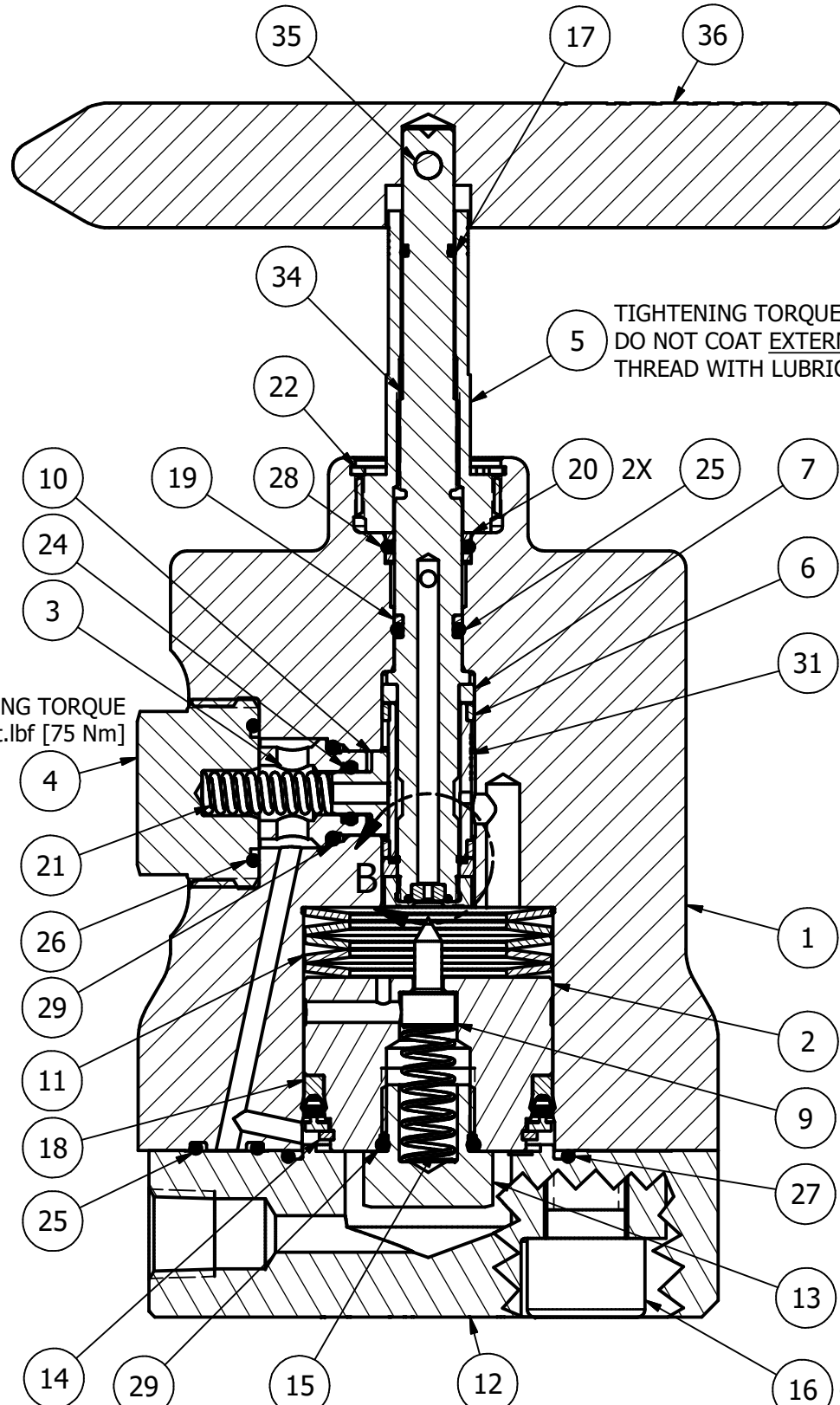
SF5000HTVA	-	XXXX	-	XXXX	-	XX
0.6-700gpd		700D		FFKM		MA MANUAL
50-2500gpd		2500D		FKM		AT ACTUATED
FLOW RANGE		FLOW CODE		EPDM		HANDLE CODE HANDLE TYPE
				SEAL MATERIAL		

PARTS LIST					
ITEM	QTY	PART NUMBER	DESCRIPTION	MATERIAL	
1	1	30413	BODY, 5KSI, SURFACE HTV	NITRONIC 50 HS	
2	1	30421	PISTON, SURFACE HTV	NITRONIC 50 HS	
3	1	30425	RETAINER, SEAL, GATE PAD, HTV	316 SS	
4	1	30426	PLUG, GATE PAD, SURFACE HTV	NITRONIC 50 HS	
5	1	30427	BUSHING, STEM, SURFACE HTV	NI-AL-BRZ	
6	2	30431	GUIDE RING, GATE, SURFACE HTV	PEEK	
7	1	30432	GUIDE RING, STEM, TOP, SURFACE HTV	PTFE	
8	1	30433	RETAINER, SEAT, SURFACE HTV	316 SS	
9	1	30471	PIN, CERAMIC, .165	ZIRCONIA 3Y-TZP	
10	1	30512	PAD, GATE, SURFACE HTV	ZIRCONIA 3Y-TZP	
11	1	30513	SPRING, BELLEVILLE, STACK 5	INCONEL 718	
12	1	30518	BASE, SERIALIZED, 5KSI, HTV	316 SS	
13	1	30841	PLUG, PISTON, SURFACE HTV	316 SS	
14	1	71001948	SPIRAL RING, WST-118-S16	316 SS	
15	1	71006907	SPRING, COIL, Ø.258 X 1.02, PISTON	ELGILOY	
16	4	71006909	SHCS, M12 X 1.75 X 30MM	A4-70	
17	1	71006956	SL, O-RING, 1.2mm CS X 6mm ID	EPDM	
18	1	71006962	SL, CUP, PISTON, HTD, FCM	SEE DWG 71006962	
19	1	71006998	SL, BU RING, .304 ID X .053W X .050T	PTFE	
20	2	71006999	SL, BU RING, .410 ID X .054W X .050T	PTFE	
21	1	71007048	SPRING, COIL, Ø.250 X 1.00, GATE PAD	ELGILOY	
22	1	71007136	SLRG, INTERNAL, Ø.875, FHL-94-HAS	HASTELLOY C-276	
23	1	71007137	SLRG, EXTERNAL, .375, WSM-37-S16	316 SS	
24	1	SEE TABLE 1	SL, O-RING, 2-010	SEE TABLE 1	
25	2	SEE TABLE 1	SL, O-RING, 2-011	SEE TABLE 1	
26	1	SEE TABLE 1	SL, O-RING, 2-018	SEE TABLE 1	
27	1	SEE TABLE 1	SL, O-RING, 2-030	SEE TABLE 1	
28	1	SEE TABLE 1	SL, O-RING, 2-905	SEE TABLE 1	
29	2	SEE TABLE 1	SL, O-RING, 3-906	SEE TABLE 1	
30	1	SEE TABLE 1	SL, O-RING, M5 X 1	SEE TABLE 1	
31	1	SEE TABLE 2	GATE, COATED, SURFACE HTV	NITRONIC 50 HS	
32	1	SEE TABLE 2	GUIDE RING, STEM, BOTTOM, SURFACE HTV	PTFE	
33	1	SEE TABLE 2	SEAT, PILL STYLE	ALUMINA-CERAMIC	
34	1	SEE TABLE 2	STEM, SURFACE HTV, 700 GPD	NITRONIC 50 HS	
35	1	SEE TABLE 3	FASTENER, HANDLE	SEE DWG	
36	1	SEE TABLE 3	HANDLE, SURFACE HTV	SEE DWG	

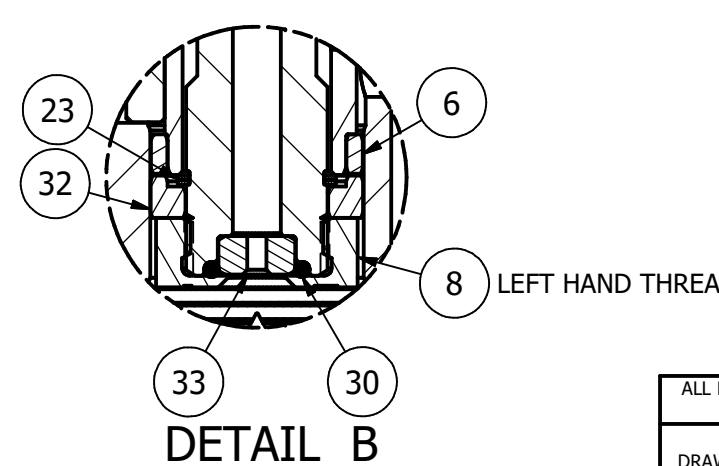
ITEM	FFKM	FKM	EPDM	DESCRIPTION
24	71006901	71006807	71001738	SL, O-RING, 2-010
25	71001744	71006921	71006952	SL, O-RING, 2-011
26	71001769	71006961	71001766	SL, O-RING, 2-018
27	71005574	71006926	71005377	SL, O-RING, 2-030
28	71006915	71006918	71006917	SL, O-RING, 2-905
29	71001820	71002333	71006912	SL, O-RING, 3-906
30	71006953	71006922	71006954	SL, O-RING, M5 X 1

ITEM	0.6-700gpd	50-2500gpd	DESCRIPTION
31	30428	30831	GATE, COATED, SURFACE HTV
32	30828	30826	GUIDE RING, STEM, SURFACE HTV
33	30470	30516	SEAT, PILL STYLE
34	30415	30514	STEM, SURFACE, HTV

ITEM	MANUAL	ACTUATED	DESCRIPTION
35	71007037	71007247	FASTENER, HANDLE
36	30435	30991	HANDLE, SURFACE HTV



SECTION VIEW
(SF5000HTVA-700D-XXXX-MA SHOWN)



DETAIL B

NOTES CONTINUED:
 7) COAT ALL THREADS WITH DYNATEX ANTI-SEIZE & LUBRICATING COMPOUND (OR SIMILAR) UNLESS OTHERWISE STATED
 8) LUBRICATE ALL SEALS WITH PARKER SLUBE 884-4 (OR SIMILAR)
 9) SEE SF5000HTVA-MA-SK FOR SPARES KITS PART LISTS

ALL DIMENSIONS IN INCHES UNLESS OTHERWISE SPECIFIED	DRAWN J.MOORE 7/20/2018	SKOFLO INDUSTRIES, INC. WOODINVILLE, WA
DRAWING PER ANSI Y14.5M-2009	ENG1 S.SPAHI 7/20/2018 ENG2 J.DUSCHLETTA 7/20/2018 OTHER	
FRACTIONS ± 1/16 X ± .03 .XX ± .010 .XXX ± .005 .XXX ± .0005 ANGULAR ± 3°	UNLESS SPECIFIED DEBURR & BREAK EDGES: 0.15/005 Ra SURF. QUAL: 63 FILLETS: R.020/008 DRILL POINT: 110-150°	THIS DOCUMENT CONTAINS INFORMATION WHICH IS PROPRIETARY TO SKOFLO INDUSTRIES INC. THE INFORMATION CONTAINED HEREIN SHALL NOT BE DISCLOSED, DUPLICATED, USED IN WHOLE OR IN PART FOR ANY PURPOSE OTHER THAN TO EVALUATE THIS DOCUMENT
VALVE ASSEMBLY, SURFACE, SF5000HTVA BOM DRAWING		DWG NO SF5000HTVA-MA
SIZE B	SCALE NONE	SHEET 2 OF 2