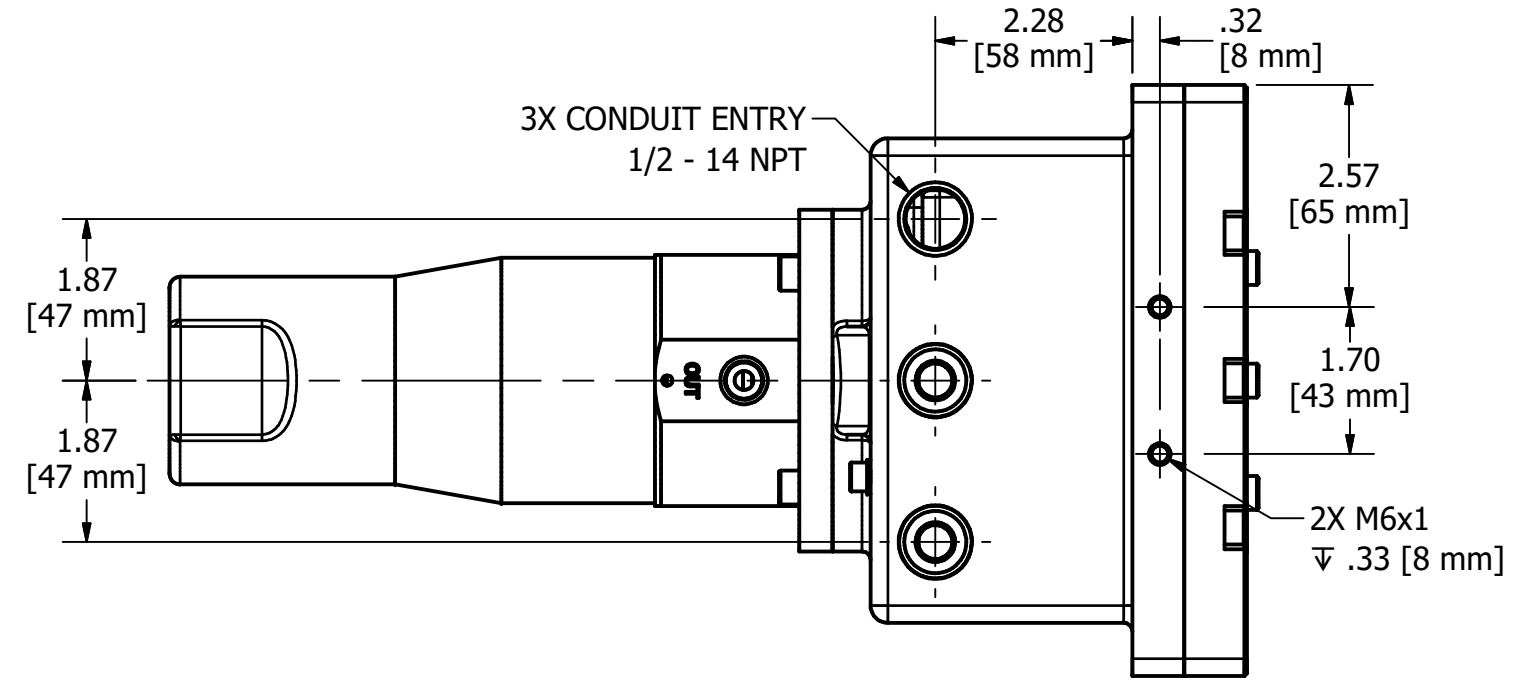
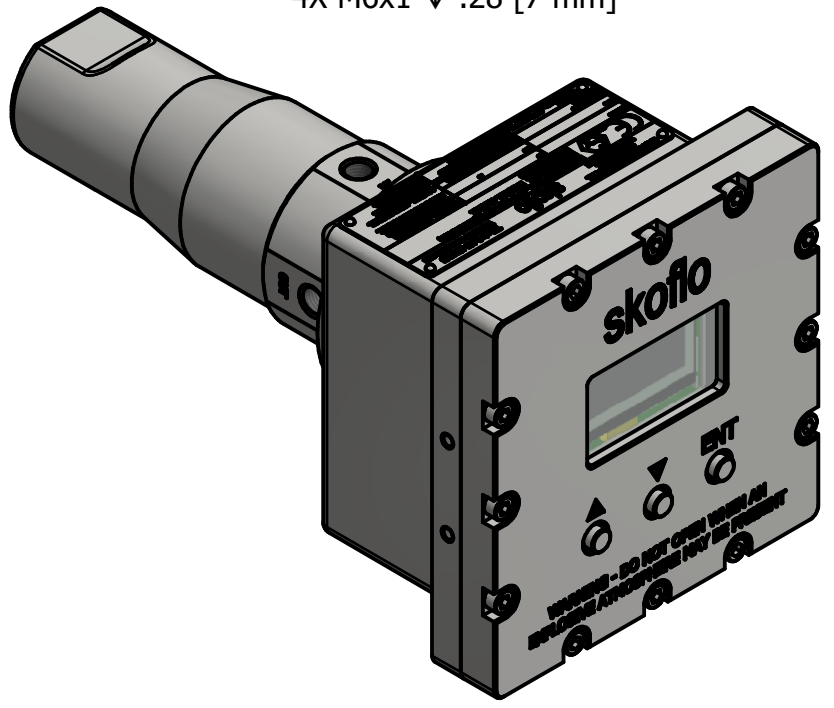
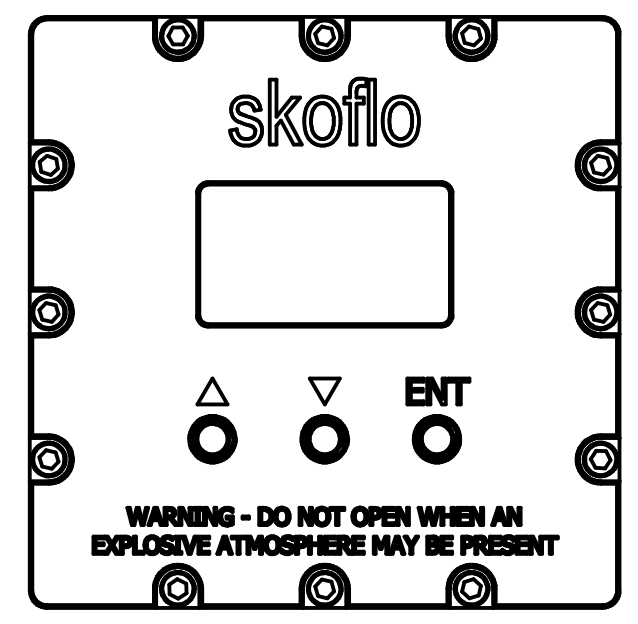
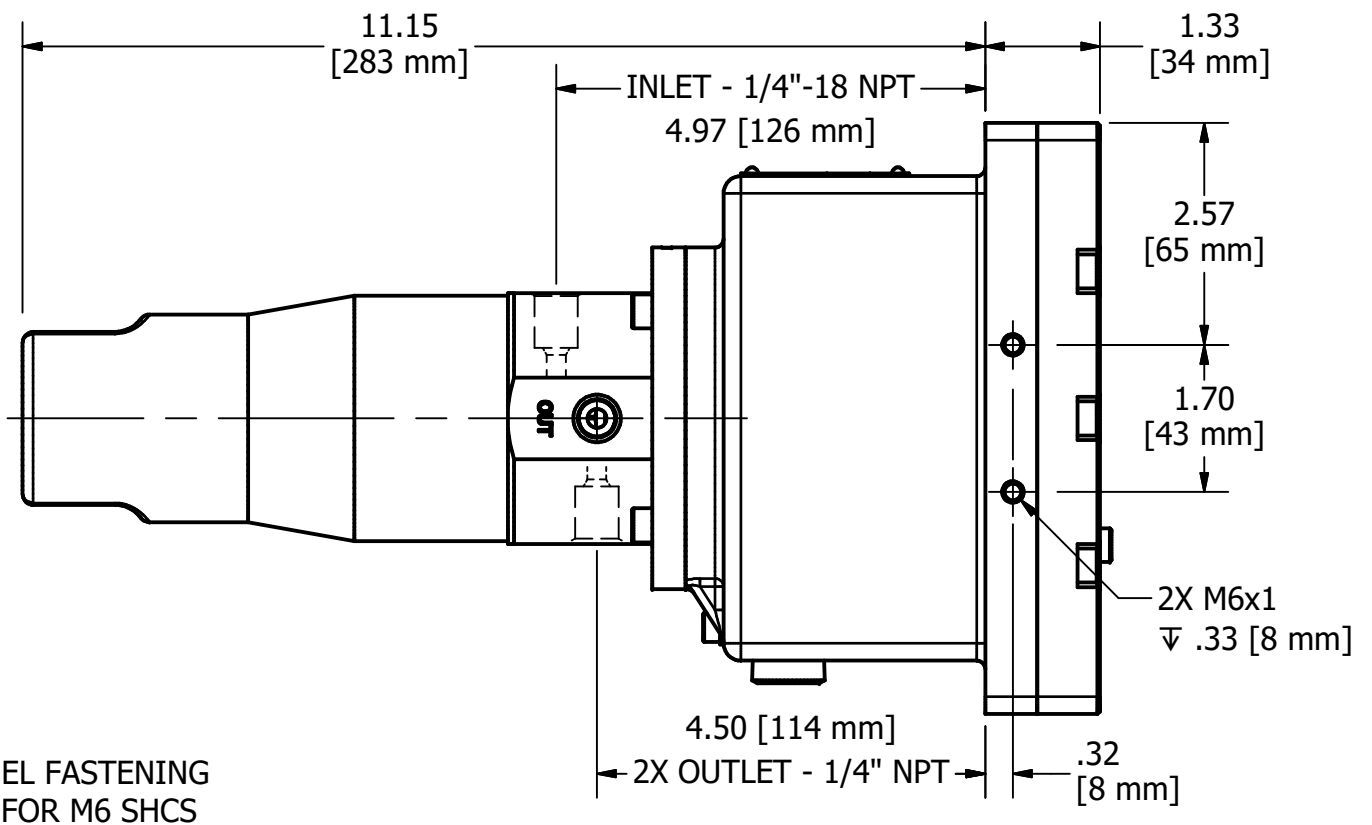
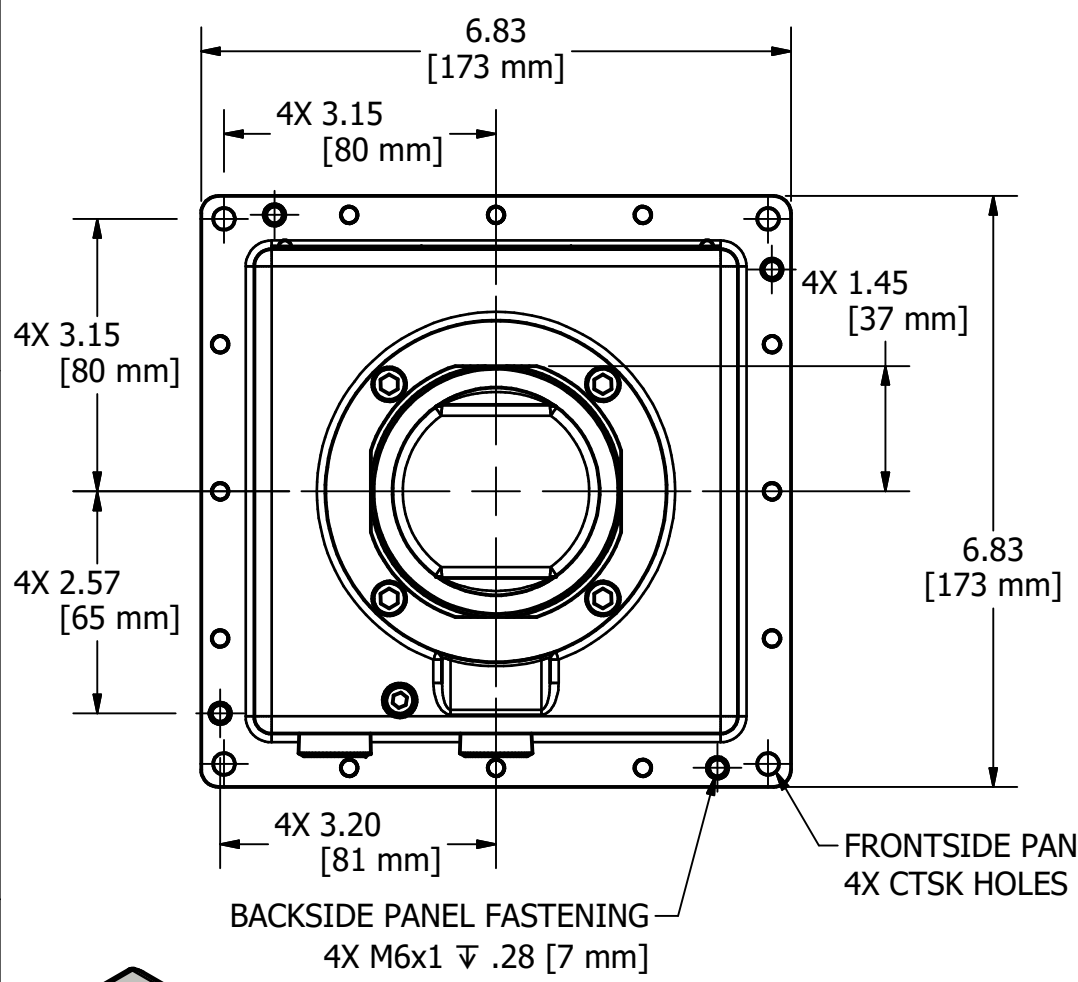
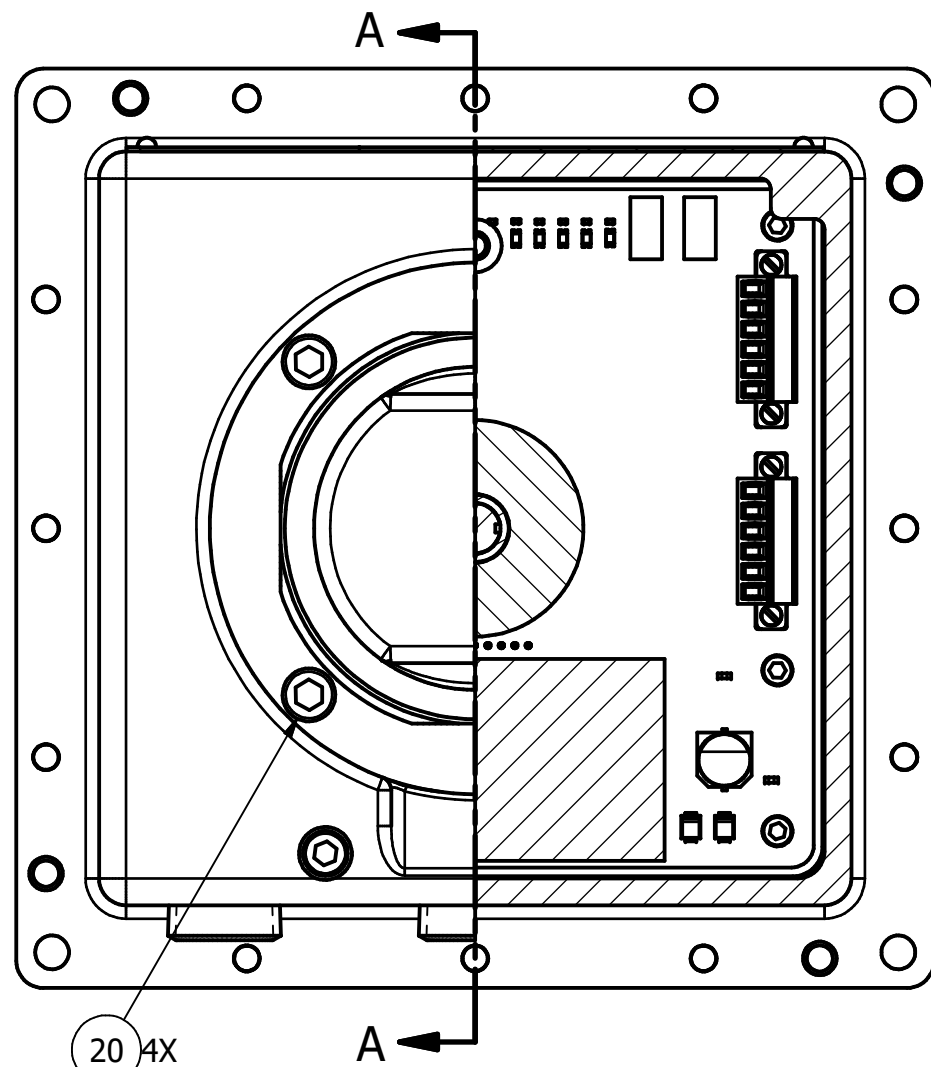


REVISION HISTORY							
ECN #	REV	DESCRIPTION	DATE	DRAWN	ENG1	ENG2	OTHER
	A	INITIAL RELEASE	10/23/18	JM	NA	SS	
2633	B	UPDATE PN: AC WAS 240A, DC WAS 24DC, ADD TORQUES	12/17/18	JM	NA	JCD	



- NOTES:
- 1) NOMINAL WEIGHT = 32 lb [14.2 kg]
 - 2) RATED WORKING PRESSURE = 5,000 psi [345 bar]
 - 3) PROOF TEST PRESSURE = 7,500 psi [517 bar]
 - 4) CUTOUT FOR PANEL MOUNTING = 5.95 X 5.95 [151 mm X 151 mm]

ALL DIMENSIONS IN INCHES UNLESS OTHERWISE SPECIFIED		DRAWN J.MOORE 10/22/18	SKOFLO INDUSTRIES, INC. WOODINVILLE, WA
DRAWING PER ANSI Y14.5M-2009		ENG1 N.ALLEY 10/22/18	
FRACTIONS ± 1/16 X ± .03 .XX ± .010 .XXX ± .005 XXX ± .0005 ANGULAR ± 3°	UNLESS SPECIFIED DEBURR & BREAK EDGES: .015/.005 Ra SURF QUAL: 63 FILLETS: R.020/.008 DRILL POINT: 110-150°	ENG2 S.SPAHI 10/22/18	PDFMA, SURFACE, 5KSI
THIS DOCUMENT CONTAINS INFORMATION WHICH IS PROPRIETARY TO SKOFLO INDUSTRIES INC. THE INFORMATION CONTAINED HEREIN SHALL NOT BE DISCLOSED, DUPLICATED, USED IN WHOLE OR IN PART FOR ANY PURPOSE OTHER THAN TO EVALUATE THIS DOCUMENT		DWG NO	GA DRAWING SF5000PDFMA
SIZE B	SCALE NONE	SHEET 1 OF 2	



COAT THREAD WITH DYNATEX ANTI-SEIZE & LUBRICATING COMPOUND, PART No. 49558
TIGHTENING TORQUE = 65 in.lbf [7.3 Nm]

PART NUMBER GUIDE

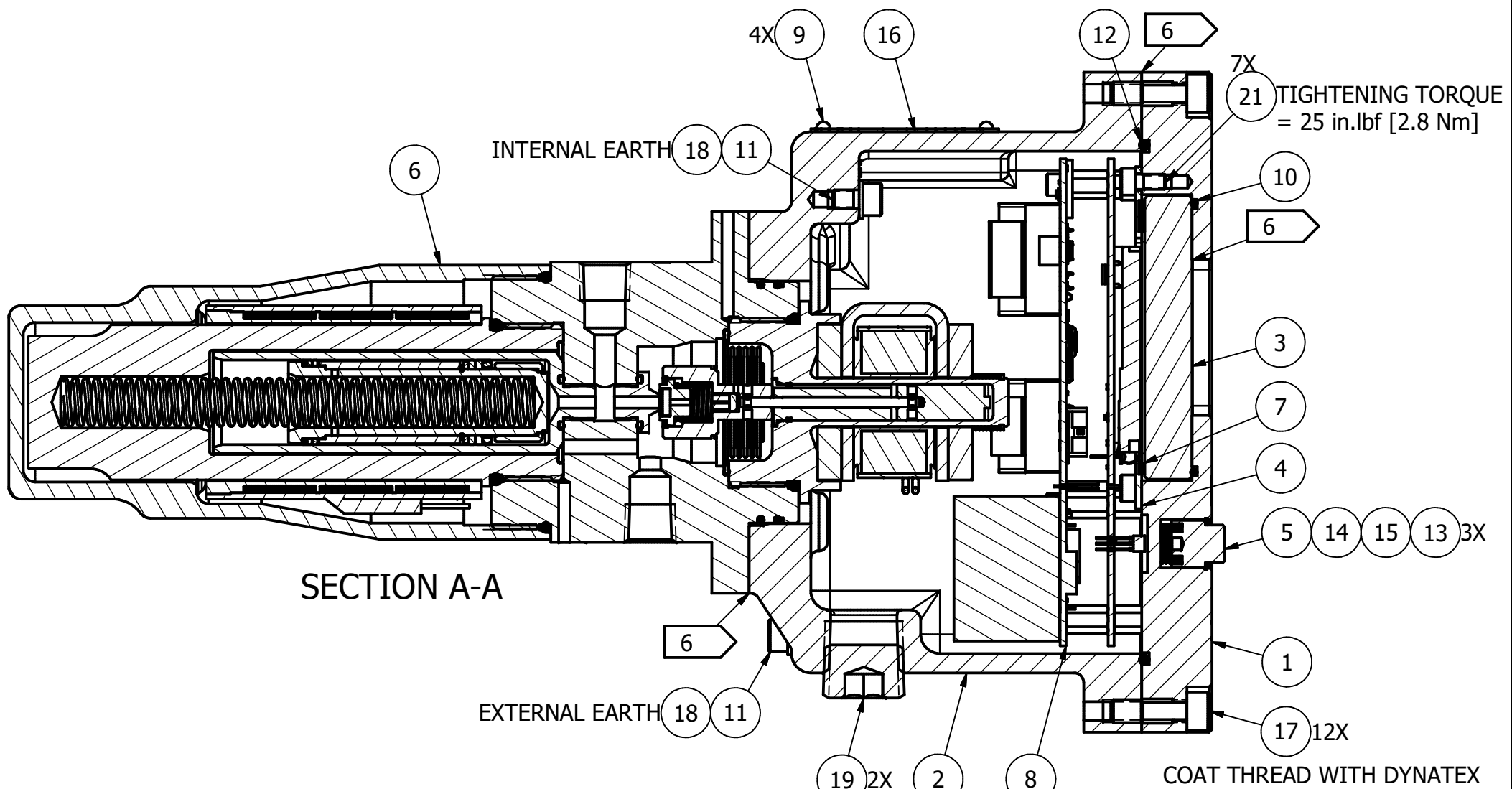
VOLTAGE CODE	VOLTAGE
DC	24 VDC
AC	120 - 240 VAC

SF5000PDFMA - XX - XX

XX	XX
NA	N. AMERICA
AX	ATEX
EX	IECEX
HAZLOC CODE	HAZLOC CERT

TABLE 1: PART SELECTION

ITEM	VOLTAGE		HAZLOC CERTIFICATION	
	24VDC	120-240VAC	ATEX/IECEX	N. AMERICA
8	30829-001	30829-002	-	-
16	-	-	71007077	71007090



SECTION A-A

COAT THREAD WITH DYNATEX ANTI-SEIZE & LUBRICATING COMPOUND, PART No. 49558
TIGHTENING TORQUE = 65 in.lbf [7.3 Nm]

COAT THREAD WITH DYNATEX ANTI-SEIZE & LUBRICATING COMPOUND, PART No. 49558
AND INSTALL WRENCH TIGHT

NOTES CONTINUED:

- 5) COAT ALL O-RING SEALS WITH O-RING LUBRICANT
- 6) INSPECTION REQUIREMENT: RUN .003 [.076 mm] FEELER GAUGE AROUND JOINT PERIMETER. GAUGE MUST NOT ENTER JOINT MORE THAN .125 [3.2 mm] AT ANY POINT
- 7) THIS DRAWING SHALL REMAIN IN ACCORDANCE WITH PDFMA-HAZLOC DRAWING. BEFORE REVISING DRAWING CONFIRM THAT THE CURRENT REVISION OF PDFMA-HAZLOC IS NOT AFFECTED
- 8) REFER TO PDFMA-SK FOR LIST OF SPARES KITS

ITEM	QTY	PART NUMBER	DESCRIPTION	MATERIAL
1	1	30678	COVER, ENCLOSURE, PDFM, SURFACE	316 SS
2	1	30679	BASE, ENCLOSURE, MACHINING, PDFM, SURFACE	CF8M SS
3	1	30718	WINDOW, PDFM/ACTUATOR, SURFACE	SODA LIME GLASS
4	1	30722	RETAINER, WINDOW, PDFM/ACTUATOR, SURFACE	316 SS
5	3	30729	BUTTON, PUSH, PDFM/ACTUATOR	316 SS
6	1	30732-001	SUBASSEMBLY, PDFM, SURFACE, 5KSI	SEE DWG 30732-001
7	1	30806	GASKET, WINDOW, PDFM/ACTUATOR, SURFACE	EPDM
8	1	SEE TABLE 1	ASSEMBLY, PCB, PDFM, SURFACE	SEE DWG 30829
9	4	71002116	U-DRIVE SCREW,RH, #2X1/4	302 SS
10	1	71007071	SL, O-RING, 2-045	EPDM
11	2	71007072	SHCS, M5X0.8mm - 8	316 SS
12	1	71007073	SL, O-RING, 2-165	EPDM
13	3	71007074	SPRING, BUTTON, PDFM/ACTUATOR	Stainless Steel
14	3	71007075	SLRG, VH-50-S16	316 SS
15	3	71007076	MAGNET, BUTTON, 1/8" X 1/10	NEODYMIUM
16	1	SEE TABLE 1	NAMEPLATE, PDFM, SURFACE	316 SS
17	12	71007078	SHCS, CAPTIVE, M6X1 - 20	A2 SS (OR EQUIVALENT)
18	2	71007079	FW, M5, DIN 125, TYPE A	316 SS
19	2	71007089	PLUG, 1/2 NPT, HAZARDOUS AREA	316 SS
20	4	71007102	SHCS, M6X1 - 20	316 SS
21	7	71007103	SHCS, M4X0.7 - 8	316 SS

ALL DIMENSIONS IN INCHES UNLESS OTHERWISE SPECIFIED	DRAWN J.MOORE 10/22/18	SKOFLO INDUSTRIES, INC. WOODINVILLE, WA
DRAWING PER ANSI Y14.5M-2009	ENG1 N.ALLEY 10/22/18 ENG2 S.SPAHI 10/22/18 OTHER	
FRACTIONS ± 1/16 X ± .03 .XX ± .010 .XXX ± .005 .XXX ± .0005 ANGULAR ± 3°	UNLESS SPECIFIED DEBURR & BREAK EDGES: .015/.005 Ra SURF QUAL: 63 FILLETS: R.020/.008 DRILL POINT: 110-150°	THIS DOCUMENT CONTAINS INFORMATION WHICH IS PROPRIETARY TO SKOFLO INDUSTRIES INC. THE INFORMATION CONTAINED HEREIN SHALL NOT BE DISCLOSED, DUPLICATED, USED IN WHOLE OR IN PART FOR ANY PURPOSE OTHER THAN TO EVALUATE THIS DOCUMENT
PDFMA, SURFACE, 5KSI BOM DRAWING SF5000PDFMA		DWG NO SF5000PDFMA REV B
SIZE B	SCALE NONE	SHEET 2 OF 2