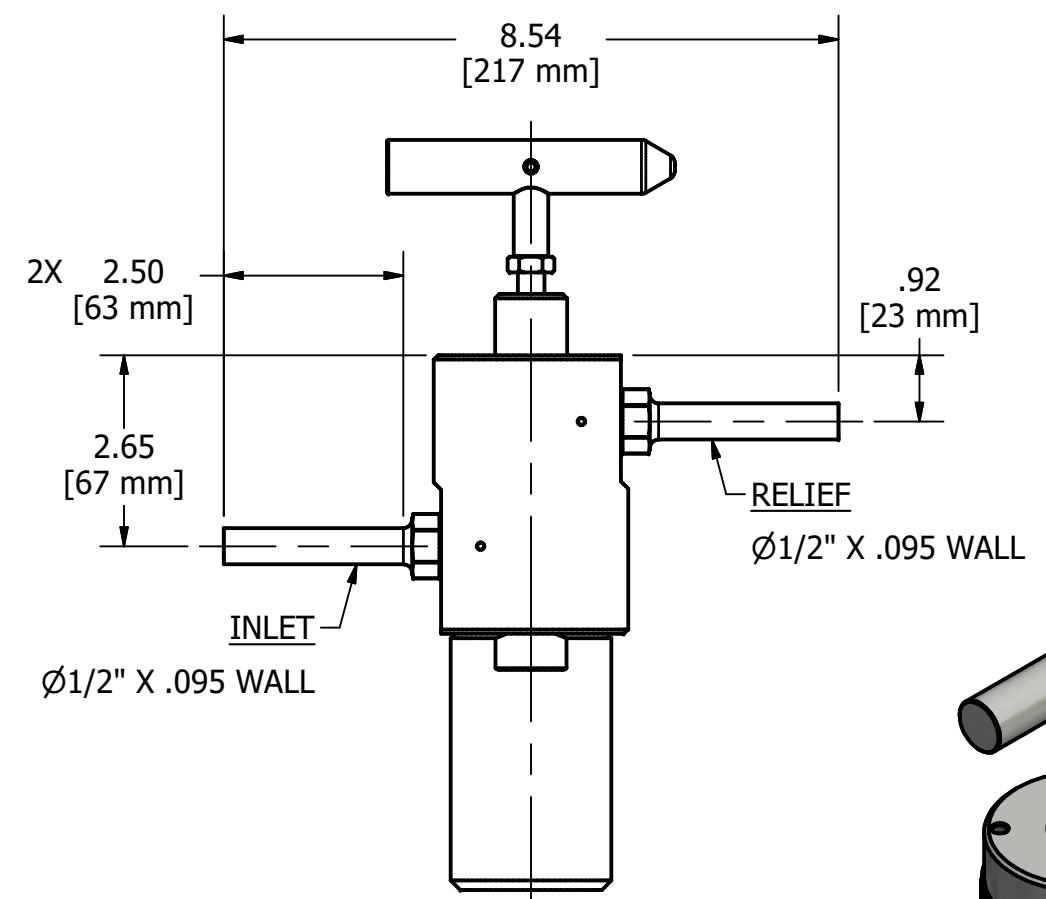
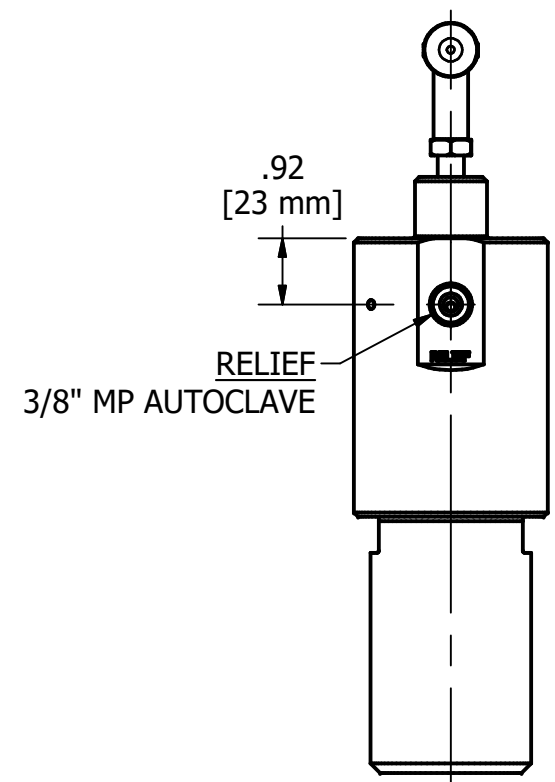
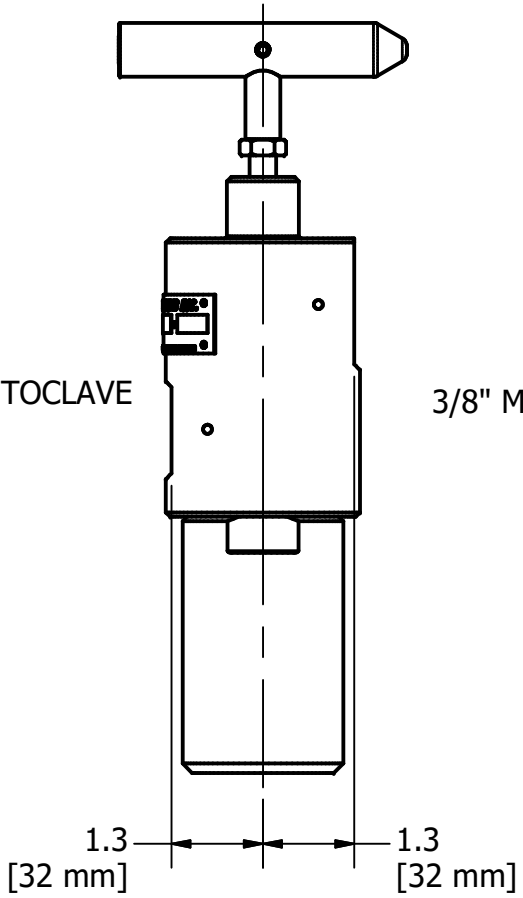
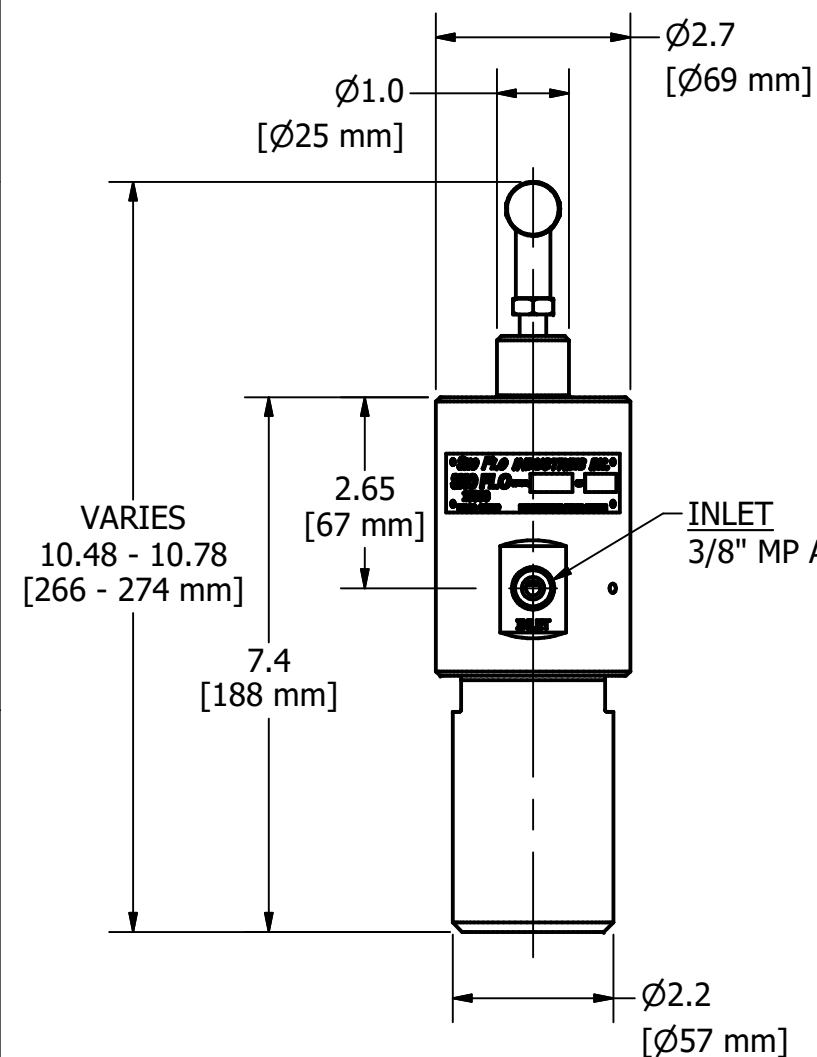
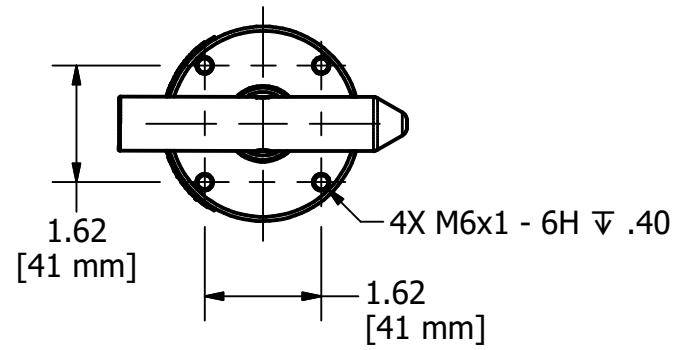
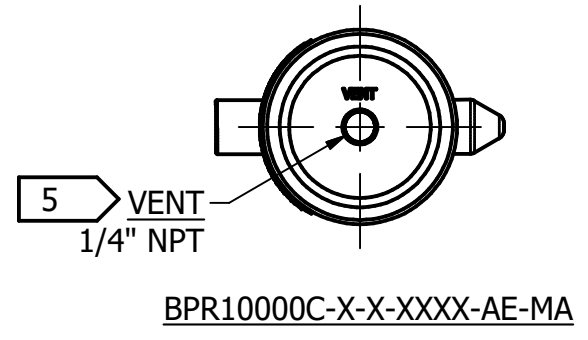


REVISION HISTORY							
ECO #	REV	DESCRIPTION	DATE	DRAWN	ENG1	ENG2	OTHER
	A	INITIAL RELEASE	7/18/19	EF	JM	NA	



BPR10000C-X-X-XXXX-FK-MA

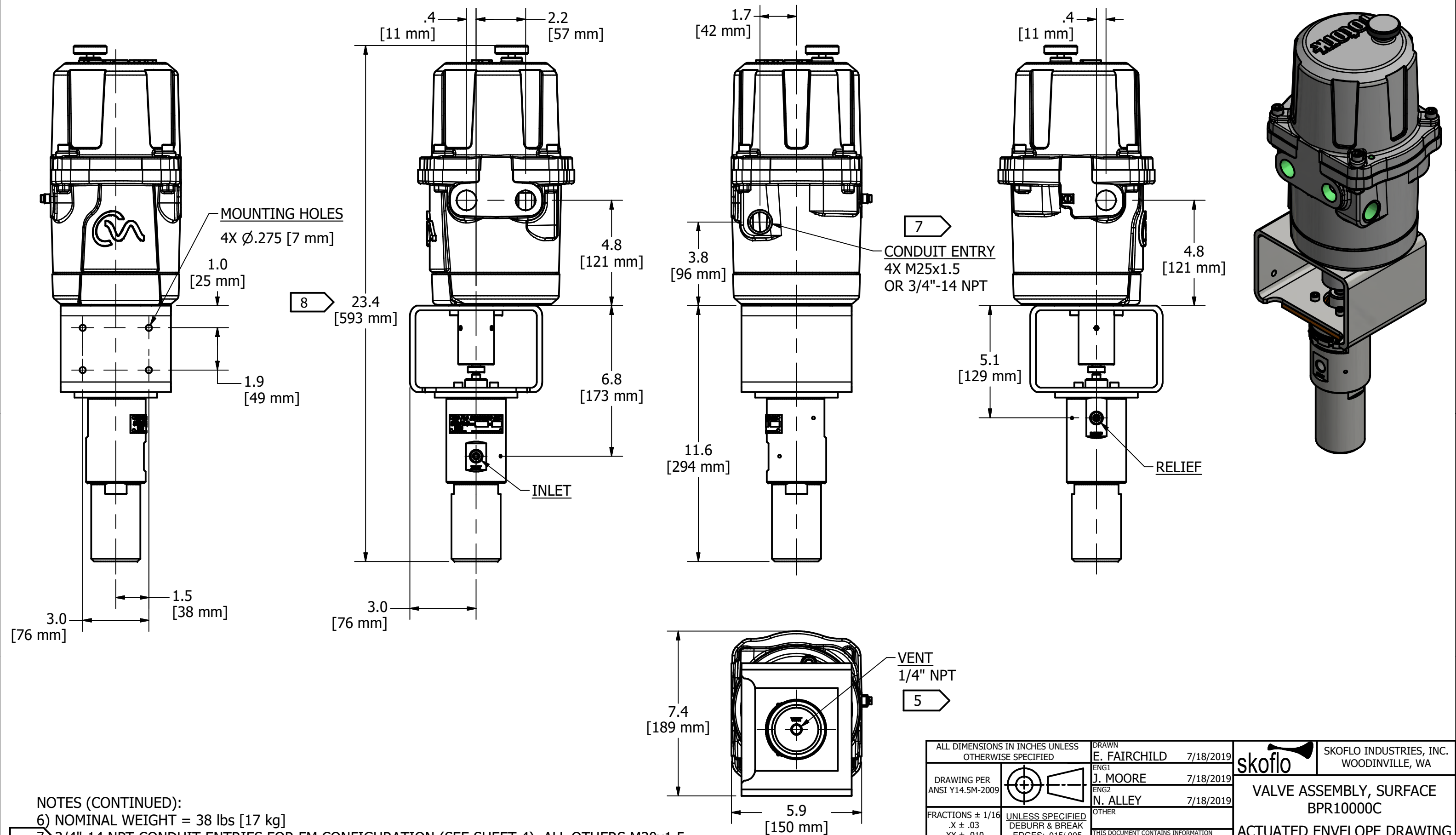


BPR10000C-X-X-XXXX-AE-MA

- NOTES:
- 1) NOMINAL WEIGHT (WITHOUT HUBS) = 18 lbs [8 kg]
  - 2) RATED WORKING PRESSURE = 10,000 psi [689 bar]
  - 3) PROOF TEST PRESSURE = 15,000 psi [1,034 bar]
  - 4) PRESSURE RANGE = 4,000 - 10,000 psi [275 - 689 bar]
  - 5) DO NOT BLOCK VENT


ALL DIMENSIONS IN INCHES UNLESS OTHERWISE SPECIFIED		DRAWN E. FAIRCHILD 7/18/2019		SKOFLO INDUSTRIES, INC. WOODINVILLE, WA
DRAWING PER ANSI Y14.5M-2009		ENG1 J. MOORE 7/18/2019		
FRACTIONS ± 1/16 .X ± .03 .XX ± .010 .XXX ± .005 .XXXX ± .0005 ANGULAR ± 3°	UNLESS SPECIFIED DEBURR & BREAK EDGES: .015/.005 Ra SURF QUAL: 63 FILLET: R.020/.008 DRILL POINT: 110-150°	ENG2 N. ALLEY 7/18/2019	VALVE ASSEMBLY, SURFACE BPR10000C	
THIS DOCUMENT CONTAINS INFORMATION WHICH IS PROPRIETARY TO SKOFLO INDUSTRIES INC. THE INFORMATION CONTAINED HEREIN SHALL NOT BE DISCLOSED, DUPLICATED, USED IN WHOLE OR IN PART FOR ANY PURPOSE OTHER THAN TO EVALUATE THIS DOCUMENT			DWG NO BPR10000C	REV A
SIZE B	SCALE NONE	SHEET 1 OF 4		

BPR1000C-X-X-XXXX-AE-AT-XX-XX-X



NOTES (CONTINUED):

- 6) NOMINAL WEIGHT = 38 lbs [17 kg]
- 7) 3/4"-14 NPT CONDUIT ENTRIES FOR FM CONFIGURATION (SEE SHEET 4), ALL OTHERS M20x1.5
- 8) 6" [152 mm] OF CLEARANCE REQUIRED TO REMOVE ACTUATOR COVER

ALL DIMENSIONS IN INCHES UNLESS OTHERWISE SPECIFIED		DRAWN E. FAIRCHILD 7/18/2019		 SKOFLU INDUSTRIES, INC. WOODINVILLE, WA
DRAWING PER ANSI Y14.5M-2009		ENG1 J. MOORE 7/18/2019 ENG2 N. ALLEY 7/18/2019 OTHER		
FRACTIONS ± 1/16 .X ± .03 .XX ± .010 .XXX ± .005 .XXXX ± .0005 ANGULAR ± 3°		UNLESS SPECIFIED DEBURR & BREAK EDGES: .015/.005 Ra SURF QUAL: 63 FILLETS: R.020/.008 DRILL POINT: 110-150°		THIS DOCUMENT CONTAINS INFORMATION WHICH IS PROPRIETARY TO SKOFLU INDUSTRIES INC. THE INFORMATION CONTAINED HEREIN SHALL NOT BE DISCLOSED, DUPLICATED, USED IN WHOLE OR IN PART FOR ANY PURPOSE OTHER THAN TO EVALUATE THIS DOCUMENT
DWG NO BPR1000C		REV A		VALVE ASSEMBLY, SURFACE BPR1000C ACTUATED ENVELOPE DRAWING BPR1000C
SIZE B	SCALE NONE	SHEET 2 OF 4		