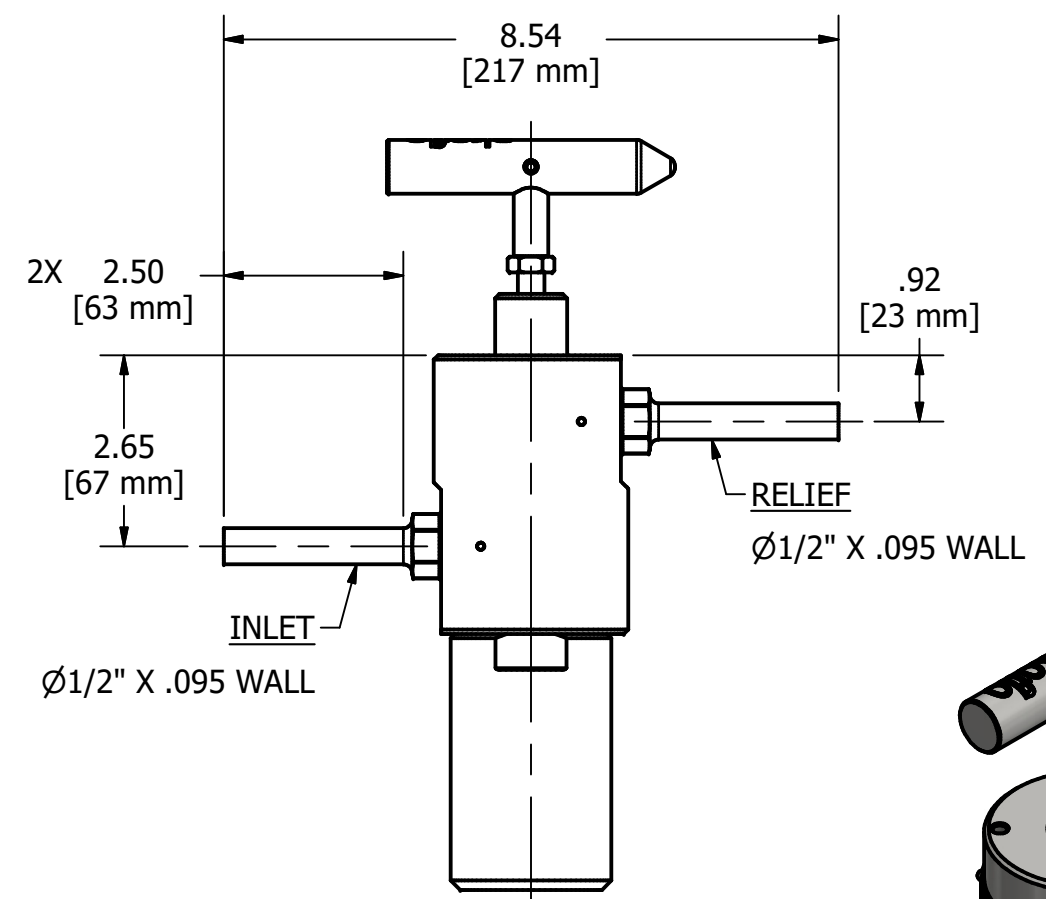
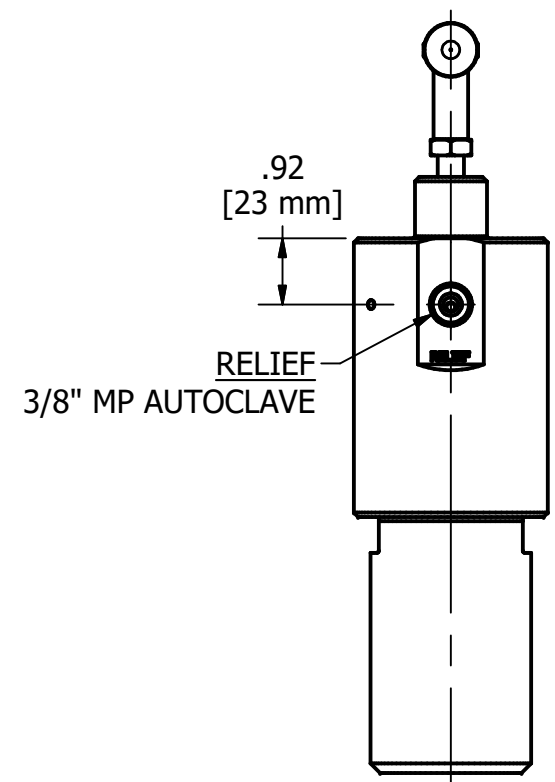
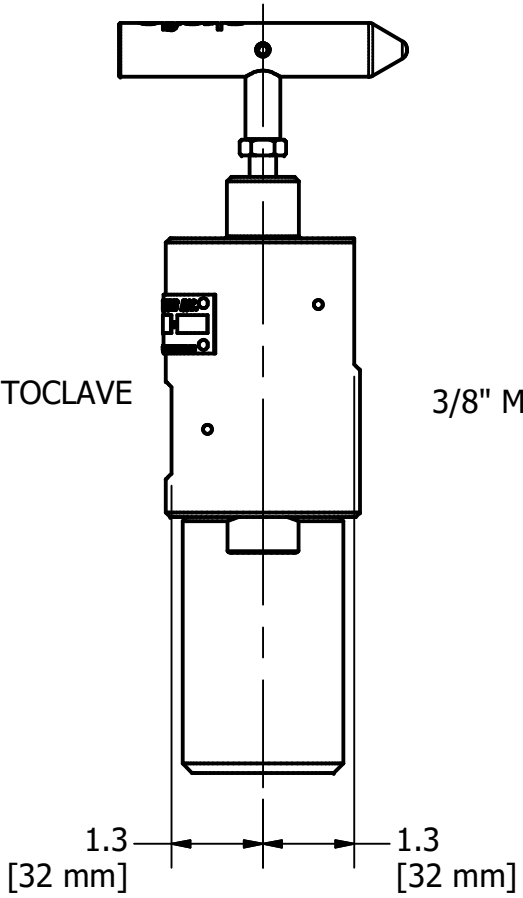
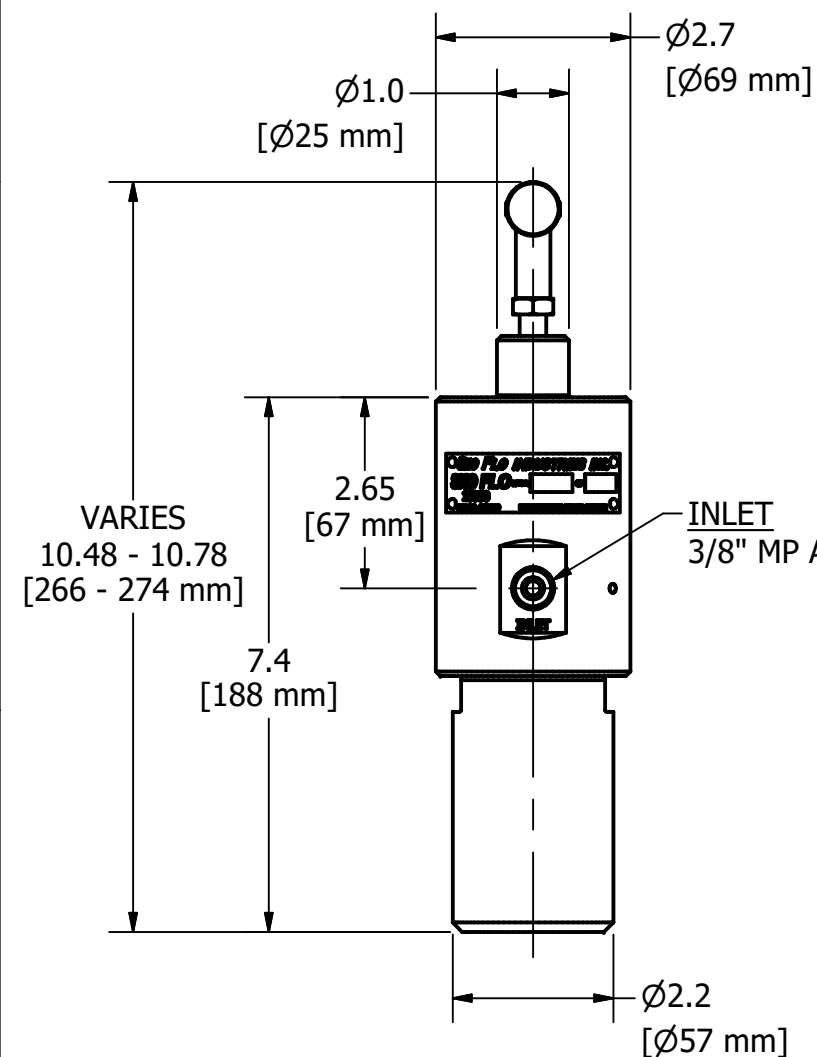
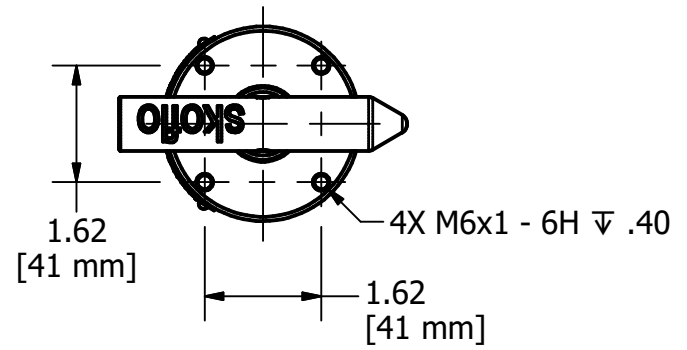
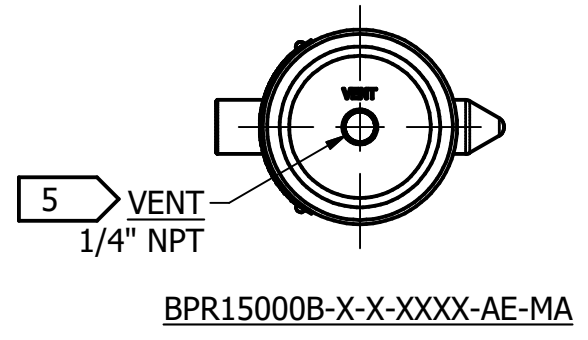
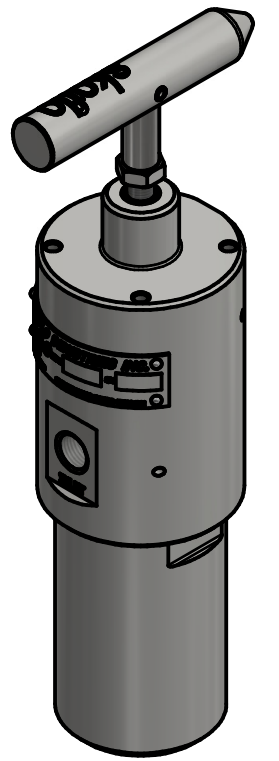


REVISION HISTORY							
ECN #	REV	DESCRIPTION	DATE	DRAWN	ENG1	ENG2	OTHER
	A	INITIAL RELEASE	7/15/19	JM	NA	CA	
2742	B	INCREASE FK TUBE STUB LENGTH, 8.54 WAS 7.84, 2.50 WAS 2.15	7/16/19	JM	CR	CA	
2768	C	UPDATE CONFIGURATION NUMBERING TO INCLUDE COMMUNICATION PROTOCOL	8/13/2019	CA	NA	MK	


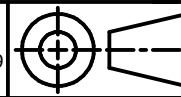


BPR15000B-X-X-XXXX-FK-MA

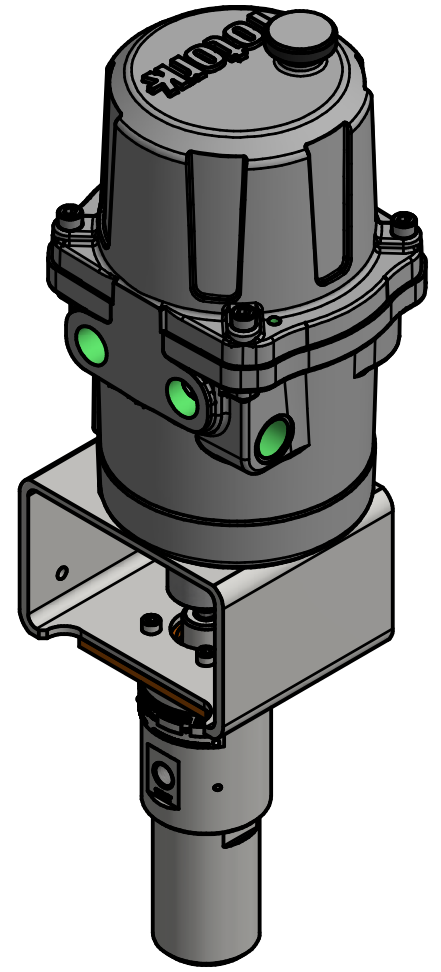
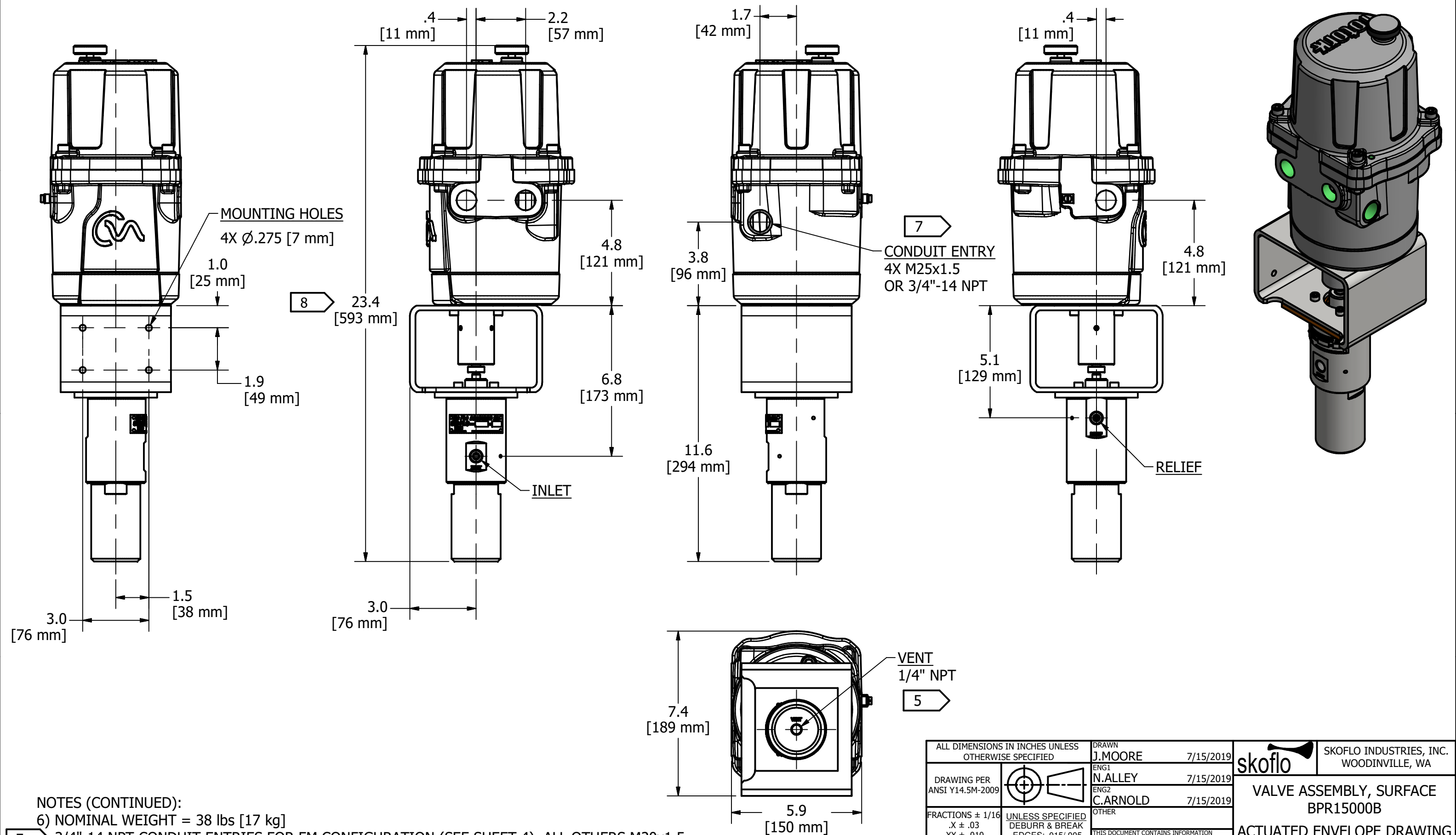


BPR15000B-X-X-XXXX-AE-MA

- NOTES:
- 1) NOMINAL WEIGHT (WITHOUT HUBS) = 18 lbs [8 kg]
 - 2) RATED WORKING PRESSURE = 15,000 psi [1,034 bar]
 - 3) PROOF TEST PRESSURE = 22,500 psi [1,551 bar]
 - 4) PRESSURE RANGE = 4,000 - 15,000 psi [275 - 1,034 bar]
 - 5) DO NOT BLOCK VENT

ALL DIMENSIONS IN INCHES UNLESS OTHERWISE SPECIFIED		DRAWN J. MOORE 7/15/2019	 SKOFLO INDUSTRIES, INC. WOODINVILLE, WA
DRAWING PER ANSI Y14.5M-2009	 UNLESS SPECIFIED DEBURR & BREAK EDGES: .015/.005 Ra SURF QUAL: 63 FILLET: R.020/.008 DRILL POINT: 110-150°	ENG1 N. ALLEY 7/15/2019 ENG2 C. ARNOLD 7/15/2019 OTHER	
FRACTIONS ± 1/16 .X ± .03 .XX ± .010 .XXX ± .005 .XXXX ± .0005 ANGULAR ± 3°	THIS DOCUMENT CONTAINS INFORMATION WHICH IS PROPRIETARY TO SKOFLO INDUSTRIES INC. THE INFORMATION CONTAINED HEREIN SHALL NOT BE DISCLOSED, DUPLICATED, USED IN WHOLE OR IN PART FOR ANY PURPOSE OTHER THAN TO EVALUATE THIS DOCUMENT		REV C

BPR15000B-X-X-XXXX-AE-AT-XX-XX-X



NOTES (CONTINUED):

- 6) NOMINAL WEIGHT = 38 lbs [17 kg]
- 7) 3/4"-14 NPT CONDUIT ENTRIES FOR FM CONFIGURATION (SEE SHEET 4), ALL OTHERS M20x1.5
- 8) 6" [152 mm] OF CLEARANCE REQUIRED TO REMOVE ACTUATOR COVER

ALL DIMENSIONS IN INCHES UNLESS OTHERWISE SPECIFIED		DRAWN J. MOORE 7/15/2019	SKOFL0 INDUSTRIES, INC. WOODINVILLE, WA
DRAWING PER ANSI Y14.5M-2009		ENG1 N. ALLEY 7/15/2019	
FRACTIONS ± 1/16 .X ± .03 .XX ± .010 .XXX ± .005 .XXXX ± .0005 ANGULAR ± 3°	UNLESS SPECIFIED DEBURR & BREAK EDGES: .015/.005 Ra SURF QUAL: 63 FILLET: R.020/.008 DRILL POINT: 110-150°	ENG2 C. ARNOLD 7/15/2019	VALVE ASSEMBLY, SURFACE BPR15000B ACTUATED ENVELOPE DRAWING BPR15000B
THIS DOCUMENT CONTAINS INFORMATION WHICH IS PROPRIETARY TO SKOFL0 INDUSTRIES INC. THE INFORMATION CONTAINED HEREIN SHALL NOT BE DISCLOSED, DUPLICATED, USED IN WHOLE OR IN PART FOR ANY PURPOSE OTHER THAN TO EVALUATE THIS DOCUMENT		OTHER	DWG NO BPR15000B SIZE B SCALE NONE SHEET 2 OF 4