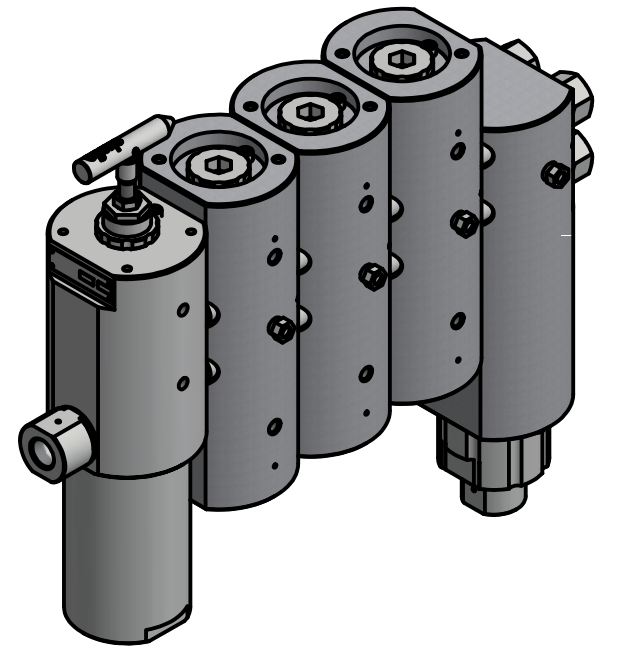
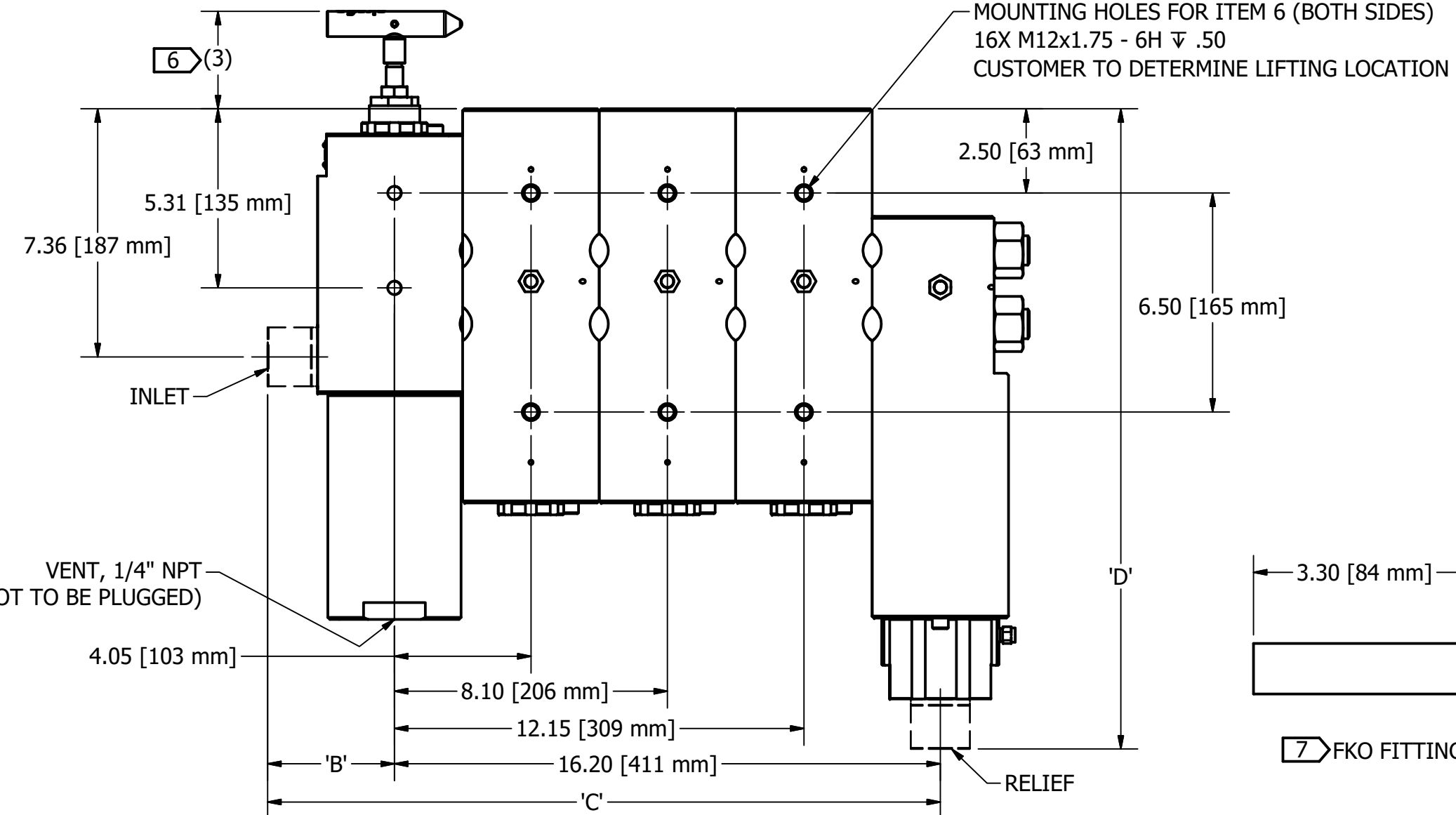
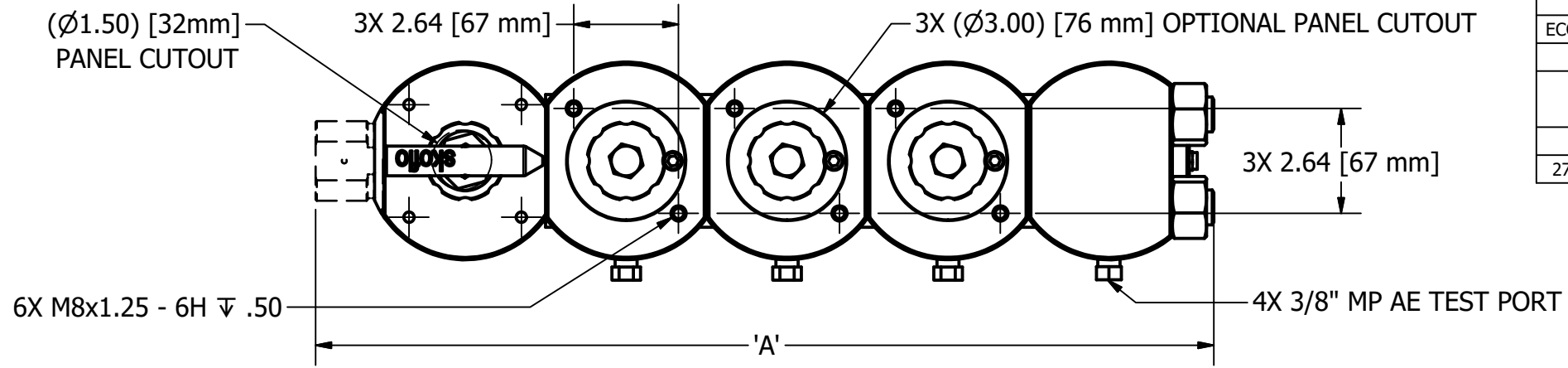


REVISION HISTORY

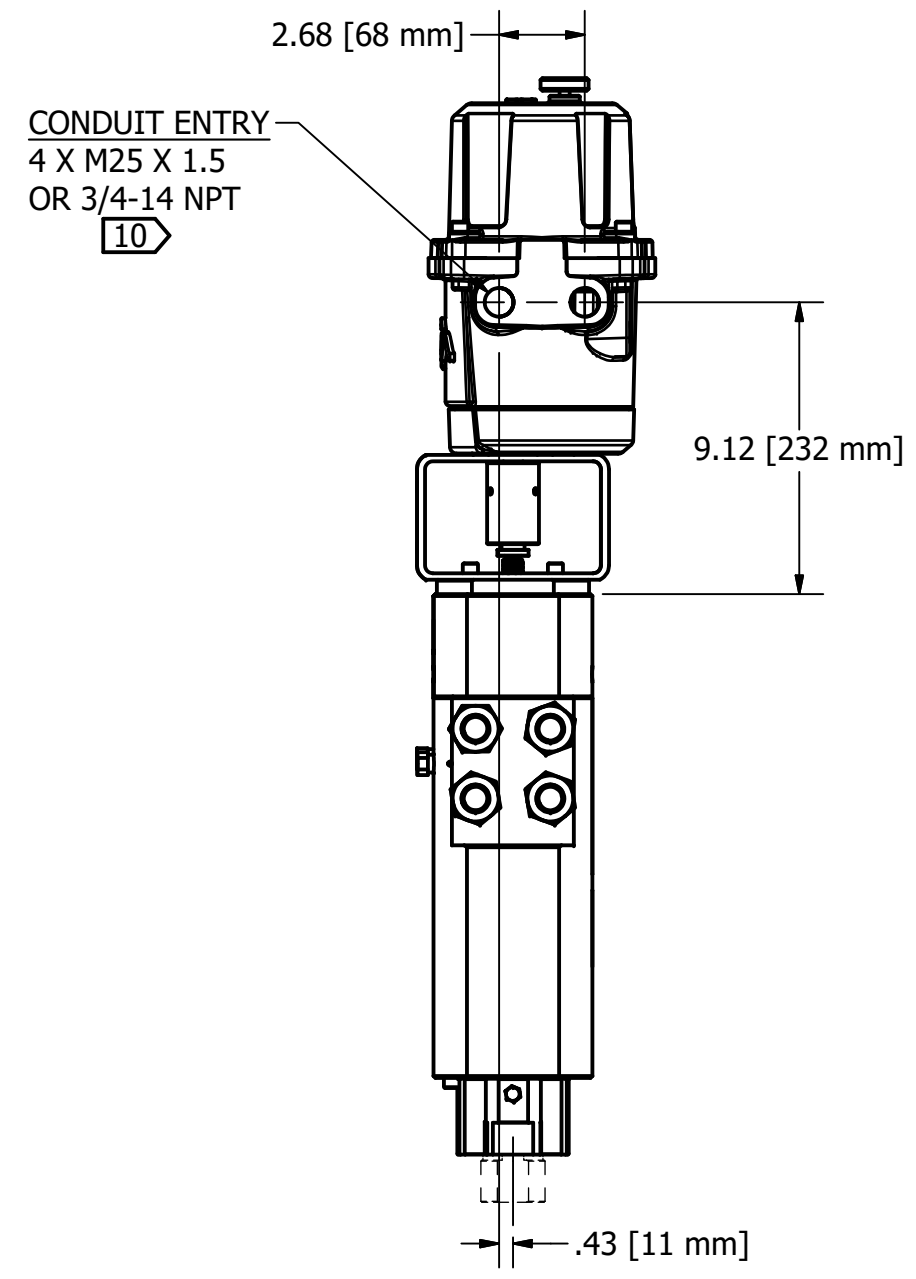
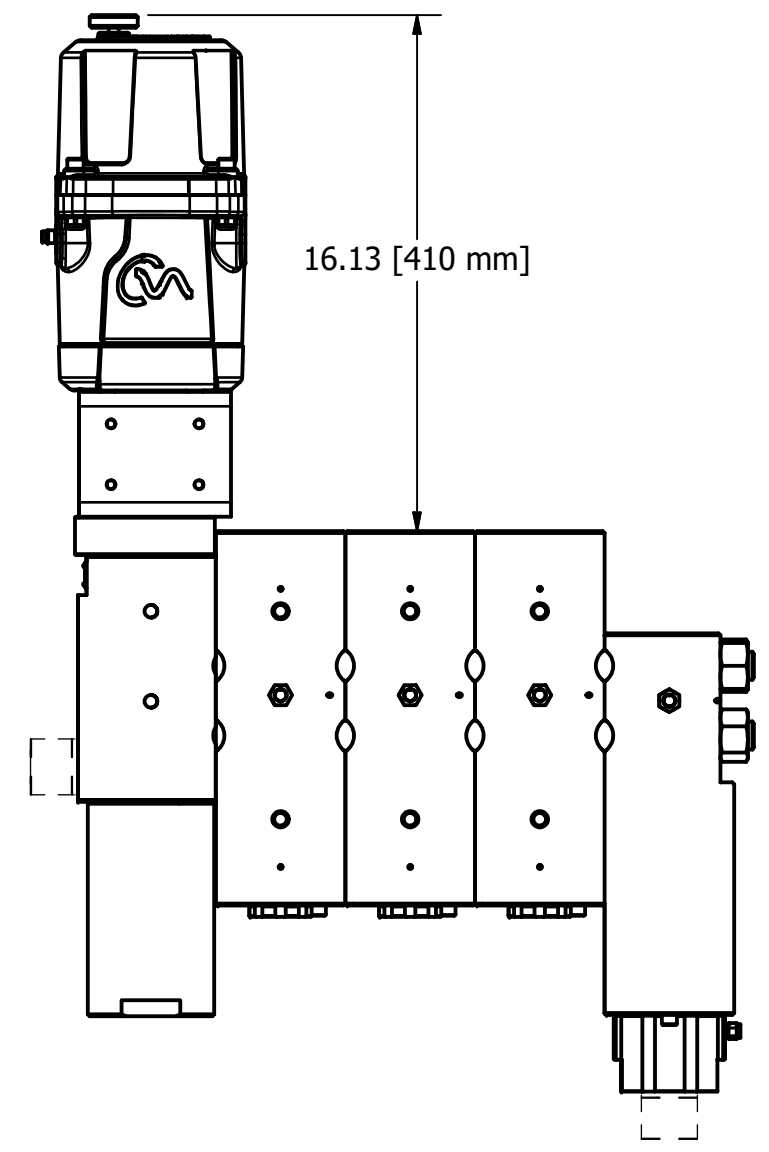
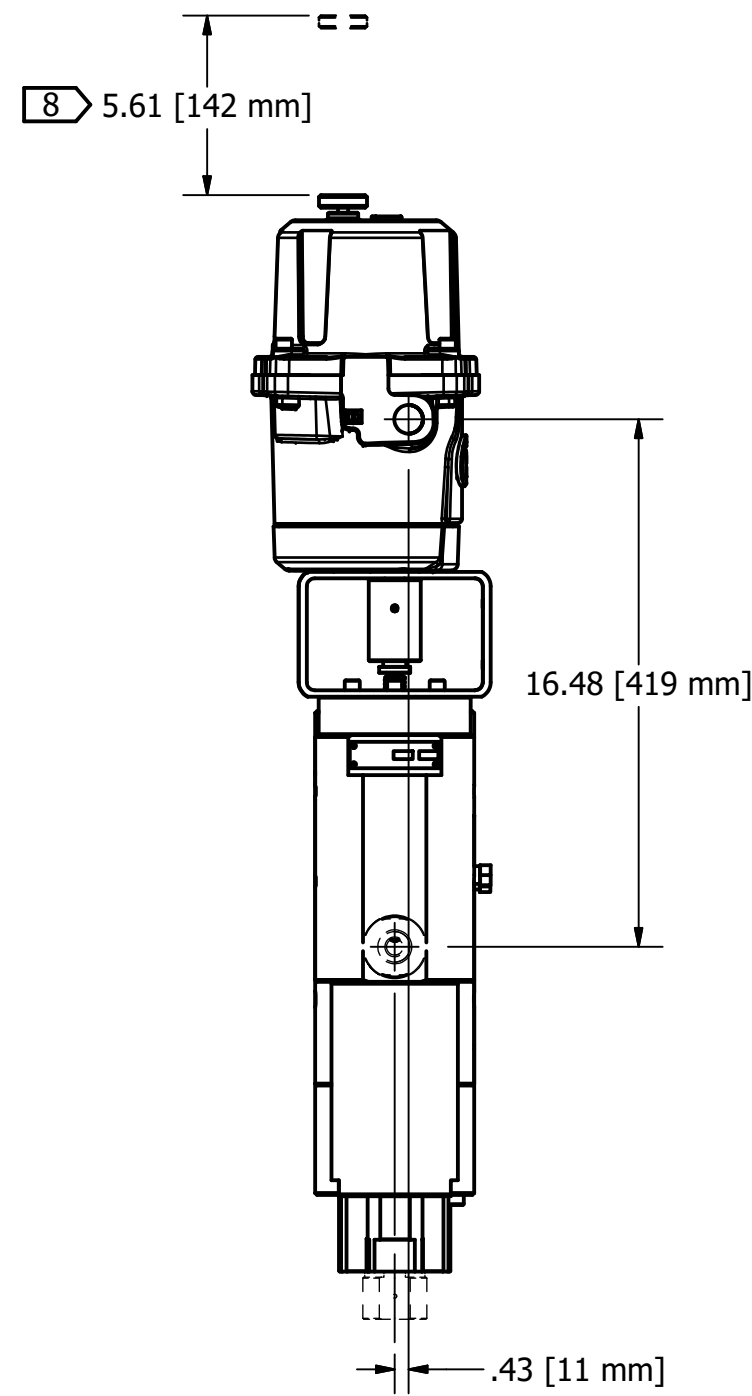
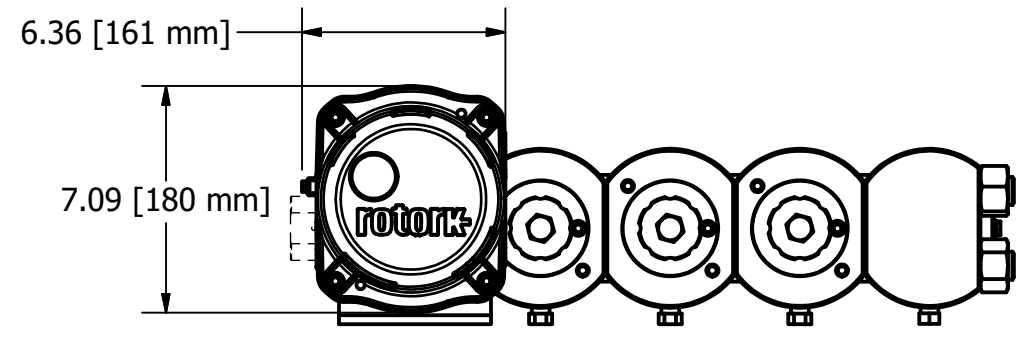
ECO #	REV	DESCRIPTION	DATE	DRAWN	ENG1	ENG2	OTHER
	A	INITIAL RELEASE	6/11/18	ENN	SS	JM	
	B	ON SHT 1, ADDED THREADED HOLE CALLOUT, ADD FLOW RANGE IN LPM; ON SHT 2, CORRECT DIMS B-D IN TABLE;	8/23/2019	EF	JM	JCD	
	C	ADD FKO FITTING OPTION	7/30/19	CA	JM	NA	
2788	D	COMBINED GA AND BOM, ADDED SHT FOR ACTUATOR INFORMATION	9/3/19	PTS	JM	CA	




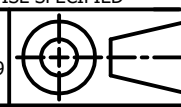
- NOTES:
- 1) RATED WORKING PRESSURE = 15000 PSI [1034 BAR]
 - 2) PROOF TEST PRESSURE = 18,500 PSI [1276 BAR]
 - 3) FLOW RATE RANGE: 0.5-15 GPM [2.3-68 LPM]
 - 4) BPR15000MFC-XXXX-XXXX-MA SHOWN
 - 5) MANUAL NOMINAL WEIGHT: 300 LB [136KG]
 - 6 VALVE IN CLOSED POSITION
 - 7 MALE FKO TUBE STUB, Ø3/4" X .134 WALL, SHIPPED UNCONNECTED FROM VALVE

HUB TYPE	'A' (in.) [mm]	'B' (in.) [mm]	'C' (in.) [mm]	'D' (in.) [mm]
75FK	25.38 [645]	6.54 [166]	22.61 [574]	21.73 [552]
75MP	23.00 [584]	3.76 [96]	19.96 [507]	19.00 [483]
MPIH	24.00 [610]	5.55 [141]	21.75 [552]	20.79 [528]
1GR5	22.60 [574]	3.76 [96]	19.96 [507]	19.00 [483]
1GR7	24.98 [635]	6.14 [156]	22.34 [567]	21.38 [543]
2GR16	23.88 [606]	5.04 [128]	21.24 [539]	20.27 [515]

ALL DIMENSIONS IN INCHES UNLESS OTHERWISE SPECIFIED	DRAWN E. NGUJEDE 6/4/2018		SKOFLO INDUSTRIES, INC. WOODINVILLE, WA
DRAWING PER ANSI Y14.5M-2009	ENG1 J. MOORE ENG2 S.SPAAHI OTHER		
FRACTIONS ± 1/16 .X ± .03 .XX ± .010 .XXX ± .005 .XXXX ± .0005 ANGULAR ± 3°	UNLESS SPECIFIED DEBURR & BREAK EDGES: .015/.005 Ra SURF QUAL: 63 FILLET: R.020/.008 DRILL POINT: 110-150°	THIS DOCUMENT CONTAINS INFORMATION WHICH IS PROPRIETARY TO SKOFLO INDUSTRIES INC. THE INFORMATION CONTAINED HEREIN SHALL NOT BE DISCLOSED, DUPLICATED, USED IN WHOLE OR IN PART FOR ANY PURPOSE OTHER THAN TO EVALUATE THIS DOCUMENT	MANUAL ENVELOPE DRAWING BPR15000MFC
	DWG NO B SCALE NONE	SHEET 1 OF 5	



NOTES CONTINUED:
 8 COVER REMOVAL ALLOWANCE
 9) ACTUATED NOMINAL WEIGHT = 307 lbs. [139.3 KG]
 10 3/4"-14 NPT CONDUIT ENTRIES FOR FM CONFIGURATION (SEE SHEET 4), ALL OTHERS M20x1.5

ALL DIMENSIONS IN INCHES UNLESS OTHERWISE SPECIFIED		DRAWN E. NGUJEDE 6/4/2018	 SKOFLO INDUSTRIES, INC. WOODINVILLE, WA
DRAWING PER ANSI Y14.5M-2009		ENG1 J. MOORE ENG2 S.SPAHI OTHER	
FRACTIONS ± 1/16 .X ± .03 .XX ± .010 .XXX ± .005 .XXXX ± .0005 ANGULAR ± 3°	UNLESS SPECIFIED DEBURR & BREAK EDGES: .015/.005 Ra SURF QUAL: 63 FILLETS: R.020/.008 DRILL POINT: 110-150°	THIS DOCUMENT CONTAINS INFORMATION WHICH IS PROPRIETARY TO SKOFLO INDUSTRIES, INC. THE INFORMATION CONTAINED HEREIN SHALL NOT BE DISCLOSED, DUPLICATED, USED IN WHOLE OR IN PART FOR ANY PURPOSE OTHER THAN TO EVALUATE THIS DOCUMENT	
		DWG NO BPR15000MFC	VALVE ASSEMBLY, BPR15000MFC ACTUATED ENVELOPE DRAWING REV D
		SIZE B	SCALE NONE
		SHEET 2 OF 5	