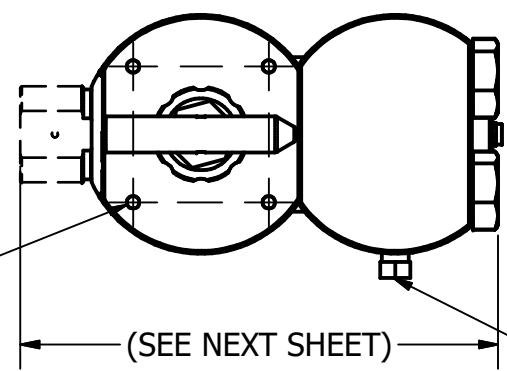


REVISION HISTORY							
ECO #	REV	DESCRIPTION	DATE	DRAWN	ENG1	ENG2	OTHER
	A	INITIAL RELEASE	1/3/19	EF	JM	NA	



4X M8x1.25 - 6H ∇ .60

(SEE NEXT SHEET)

3/8" MP AE TEST PORT

SKOFLO CONFIGURATION NUMBER

BPR5000MFA-XXXX-XXXX-MA

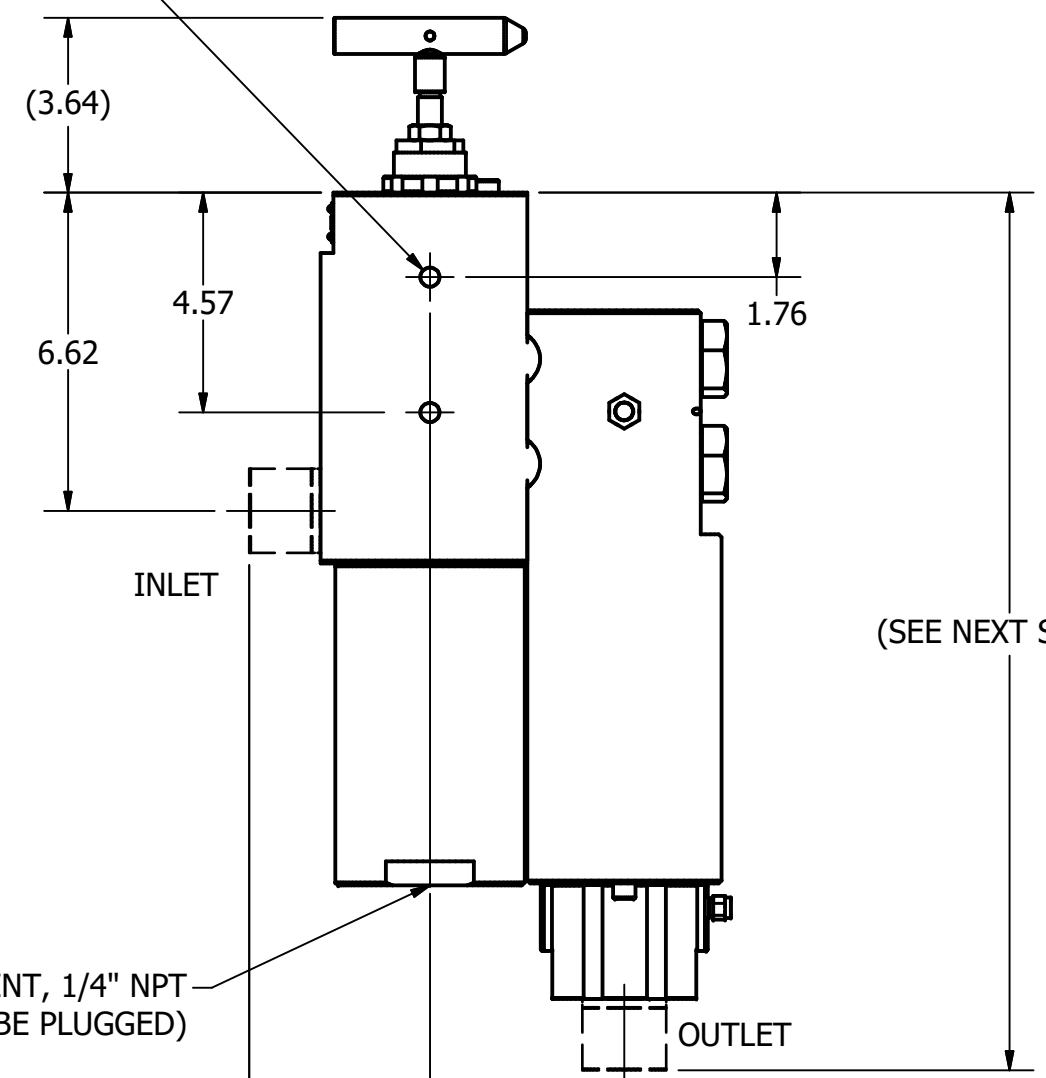
BASE NUMBER

SEAL COMPOUND

MANUAL OPERATION

CONNECTION TYPE (TABLE 1)

2X M12x1.75 - 6H ∇ .50



(SEE NEXT SHEET)

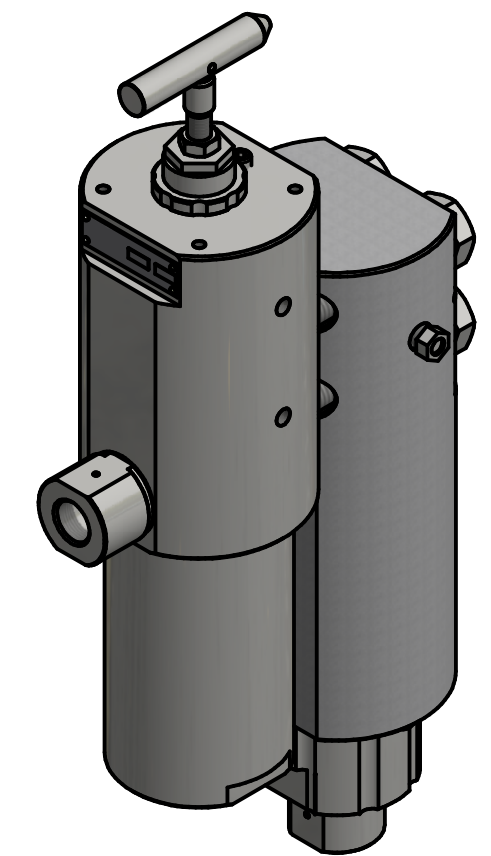
VENT, 1/4" NPT
(NOT TO BE PLUGGED)

(SEE NEXT SHEET)

(SEE NEXT SHEET)

BPR5000MFA-XXXX-XXXX-MA

CONNECTION TYPE	DESCRIPTION
75MP	3/4" AE MP
1MP	1" AE MP
MPIH	MPI HUB
1GR5	GRAYLOCK 5 HUB SHORT
1GR7	GRAYLOCK 7 HUB LONG

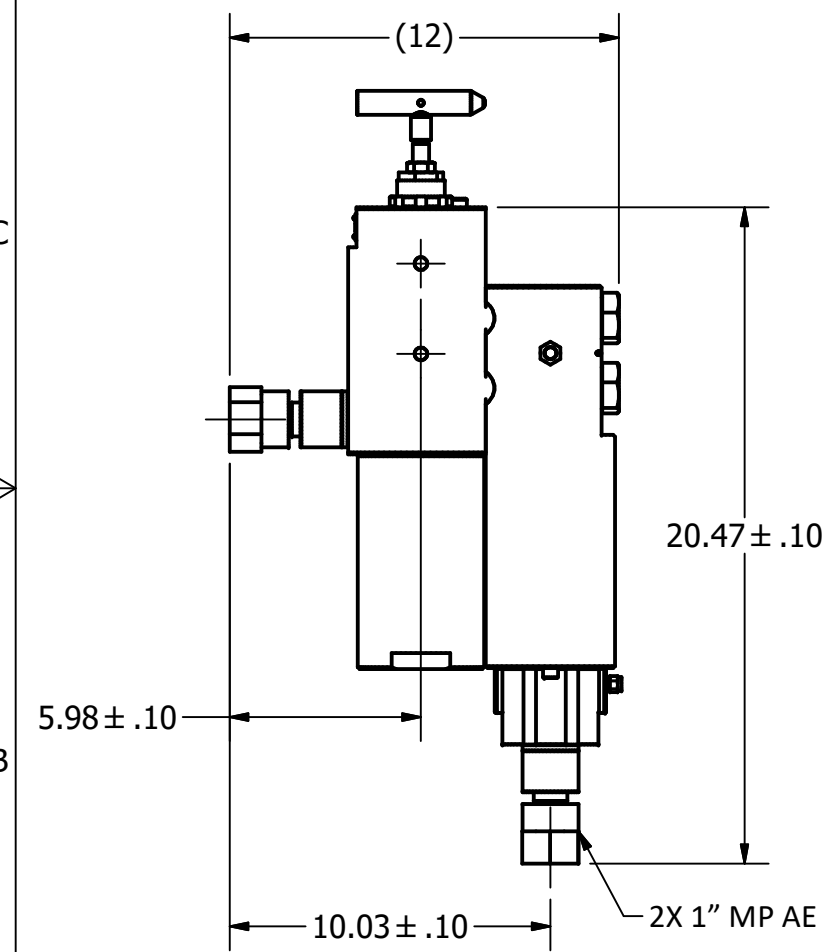


BPR5000MFA-XXXX-75MP-MA SHOWN

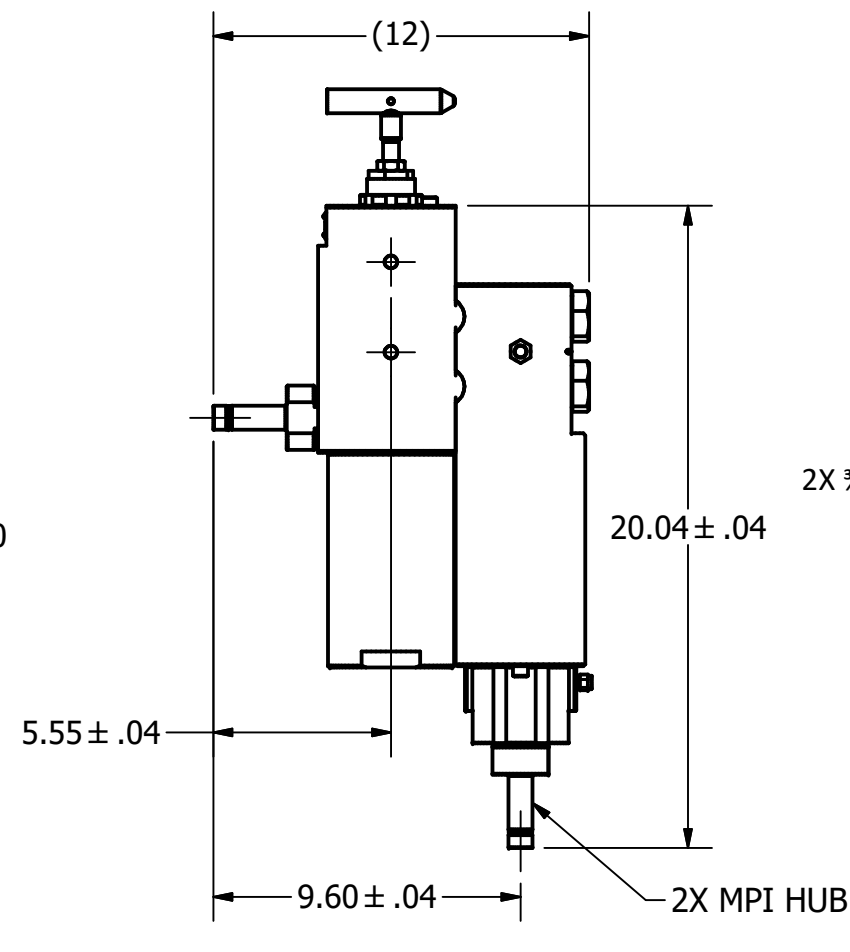
- NOTES:
- 1) RATED WORKING PRESSURE = 5,000 psi [345 bar]
PROOF TEST PRESSURE = 7,500 psi [517 bar]
 - 2) FLOW RANGE: 0.5-15 GPM [1.9-57 LPM]
 - 3) NOMINAL WEIGHT: 110 LB [50 KG]

ALL DIMENSIONS IN INCHES UNLESS OTHERWISE SPECIFIED		DRAWN E. FAIRCHILD 12/18/2018	SKOFLO INDUSTRIES, INC. WOODINVILLE, WA
DRAWING PER ANSI Y14.5M-2009	UNLESS SPECIFIED DEBURR & BREAK EDGES: .015/.005 Ra SURF QUAL: 63 FILLETS: R.020/.008 DRILL POINT: 110-150°	ENG1 J. MOORE 1/2/2019 ENG2 N. ALLEY 1/3/2019 OTHER	
FRACTIONS \pm 1/16 .X \pm .03 .XX \pm .010 .XXX \pm .005 .XXXX \pm .0005 ANGULAR \pm 3°	THIS DOCUMENT CONTAINS INFORMATION WHICH IS PROPRIETARY TO SKOFLO INDUSTRIES INC. THE INFORMATION CONTAINED HEREIN SHALL NOT BE DISCLOSED, DUPLICATED, USED IN WHOLE OR IN PART FOR ANY PURPOSE OTHER THAN TO EVALUATE THIS DOCUMENT		DWG NO BPR5000MFA-MA
SURFACE, BPR, MF, 5000 PSI, MANUAL GENERAL ARRANGEMENT		SIZE B SCALE NONE	SHEET 1 OF 2

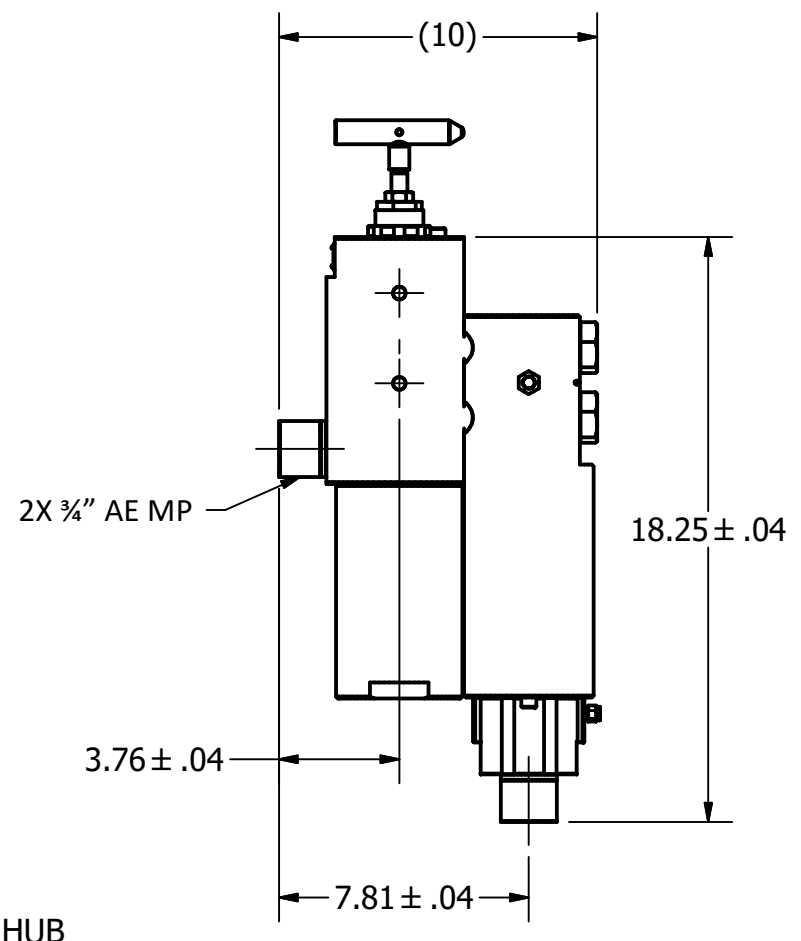
CONNECTION TYPE	A	B	C	D
1GR5	7.81	18.25	10	3.76
1GR7	10.19	20.63	12	6.14



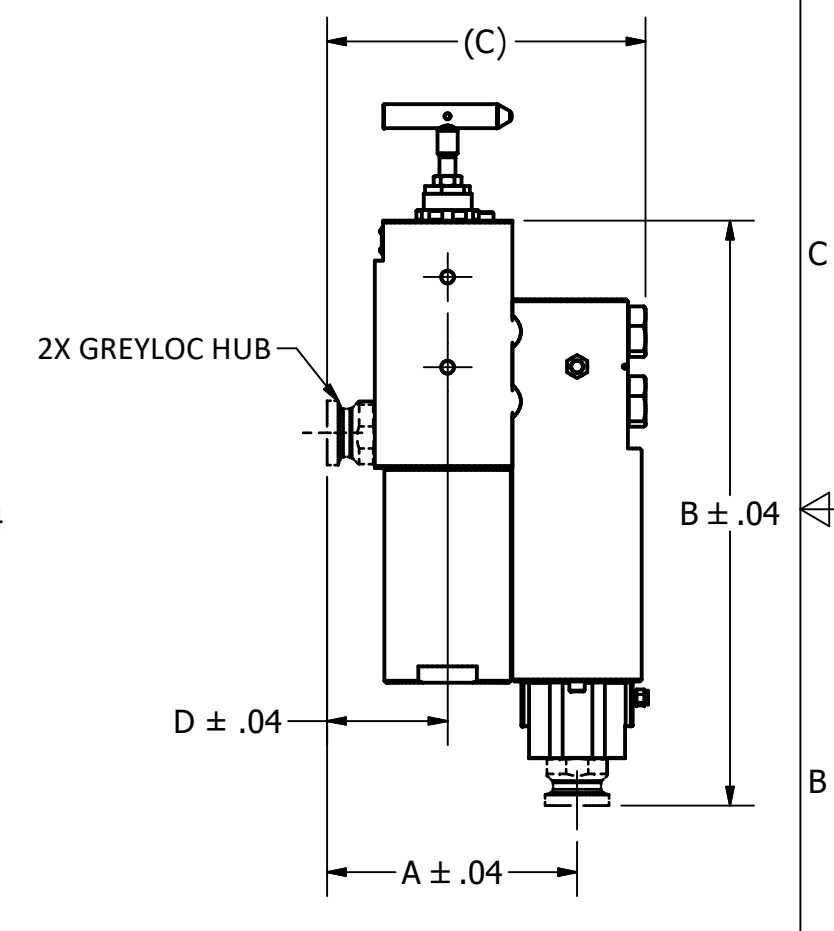
BPR5000MFA-XXXX-1MP-MA




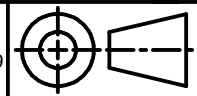
BPR5000MFA-XXXX-MPIH-MA



BPR5000MFA-XXXX-75MP-MA



BPR5000MFA-XXXX-1GRX-MA

ALL DIMENSIONS IN INCHES UNLESS OTHERWISE SPECIFIED		DRAWN E. FAIRCHILD 12/18/2018	 SKOFLO INDUSTRIES, INC. WOODINVILLE, WA
DRAWING PER ANSI Y14.5M-2009	 UNLESS SPECIFIED DEBURR & BREAK EDGES: .015/.005 Ra SURF QUAL: 63 FILLETS: R.020/.008 DRILL POINT: 110-150°	ENG1 J. MOORE 1/2/2019 ENG2 N. ALLEY 1/3/2019 OTHER	
FRACTIONS ± 1/16 .X ± .03 .XX ± .010 .XXX ± .005 .XXXX ± .0005 ANGULAR ± 3°	THIS DOCUMENT CONTAINS INFORMATION WHICH IS PROPRIETARY TO SKOFLO INDUSTRIES INC. THE INFORMATION CONTAINED HEREIN SHALL NOT BE DISCLOSED, DUPLICATED, USED IN WHOLE OR IN PART FOR ANY PURPOSE OTHER THAN TO EVALUATE THIS DOCUMENT		SIZE B SCALE NONE SHEET 2 OF 2