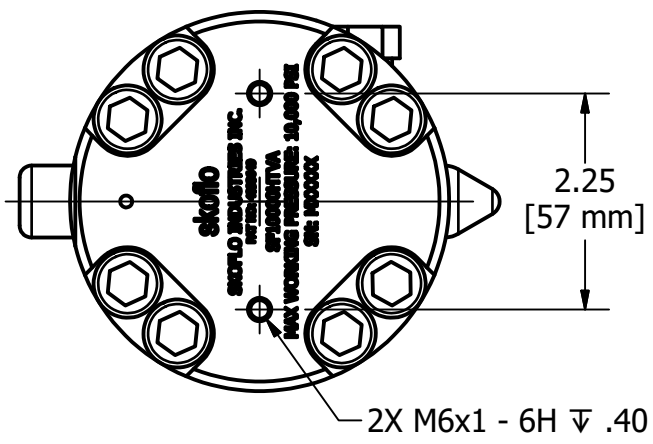
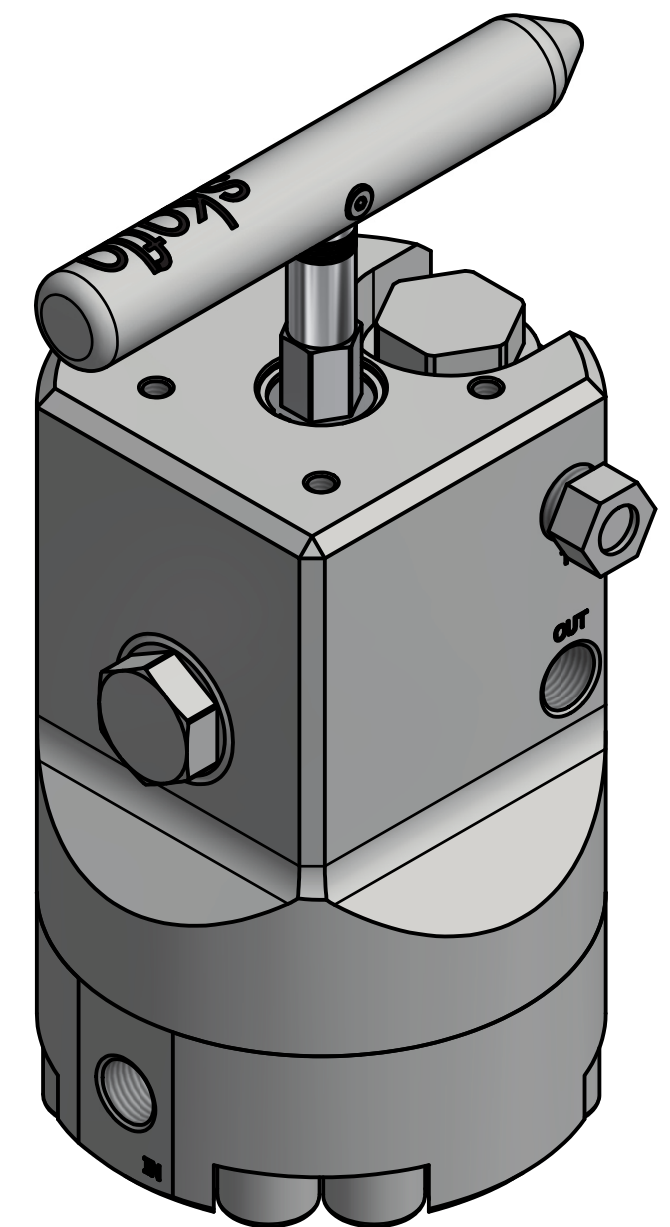
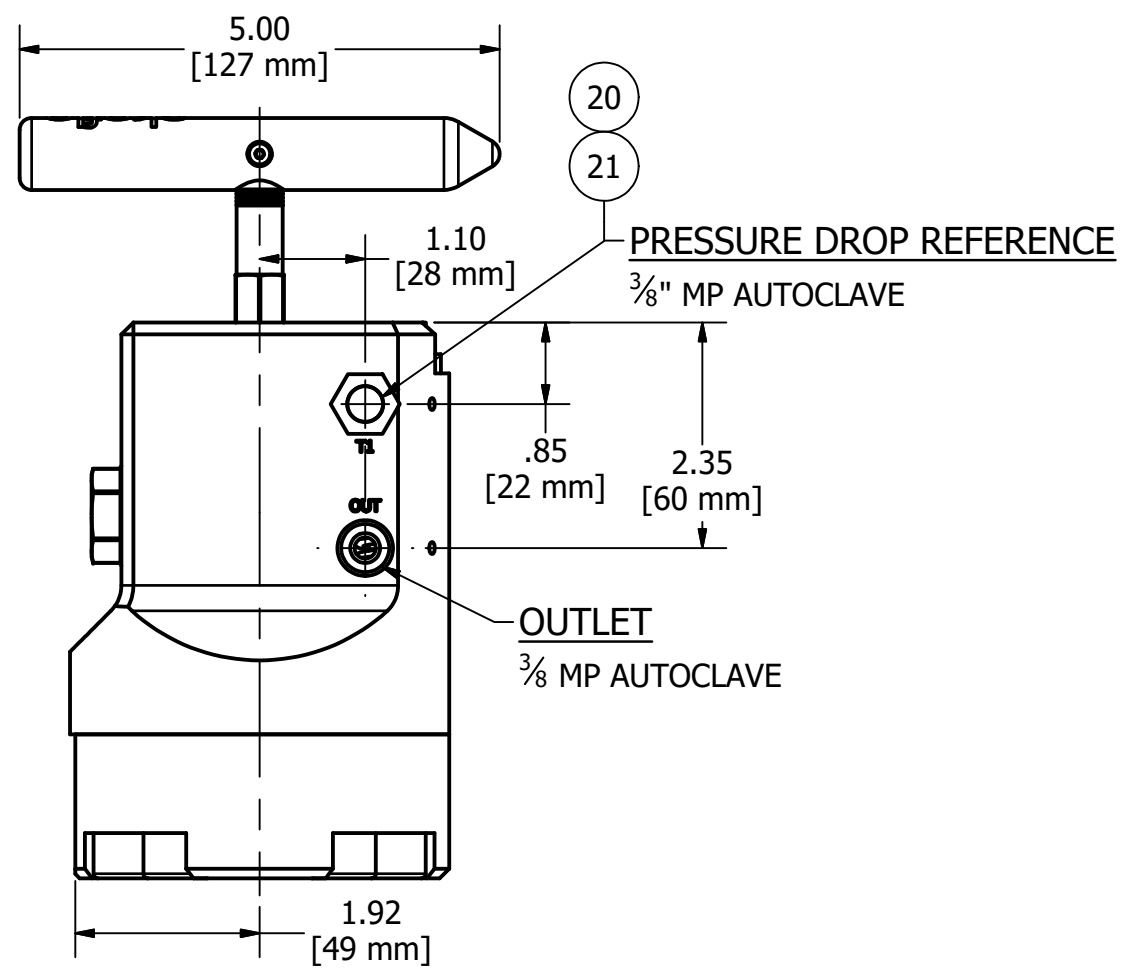
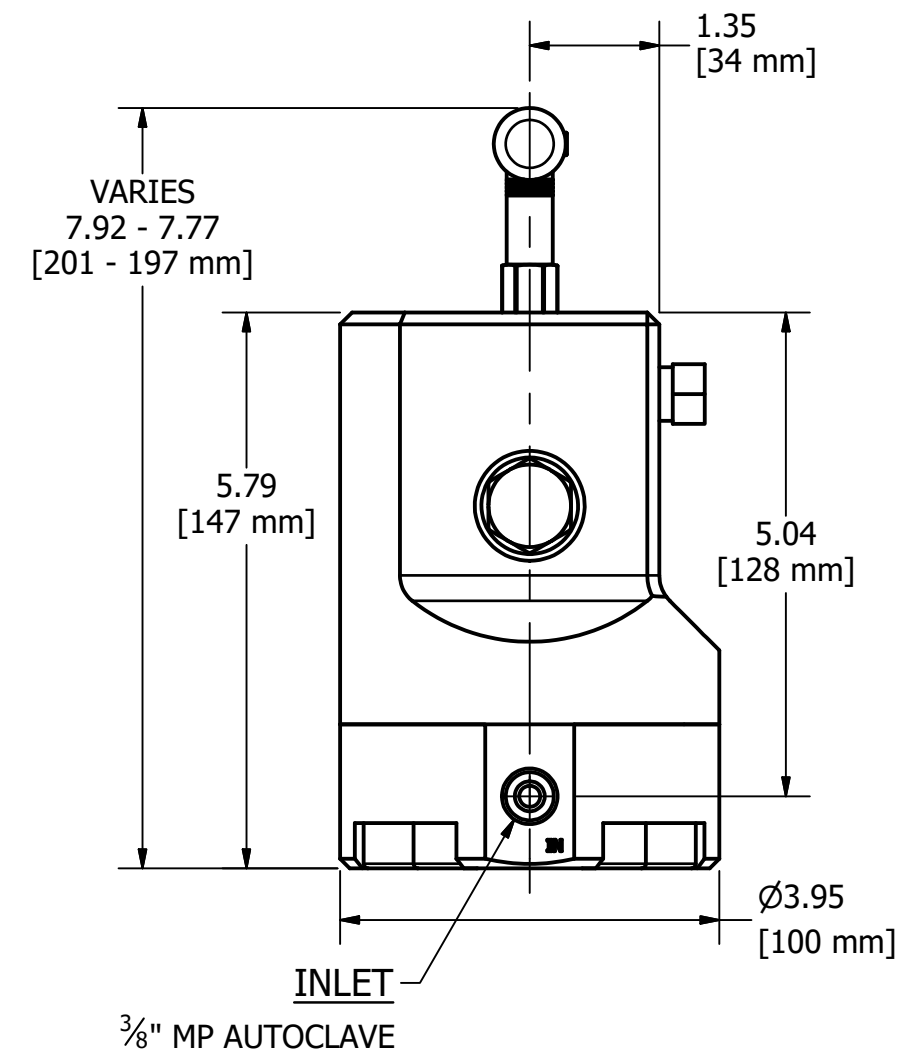
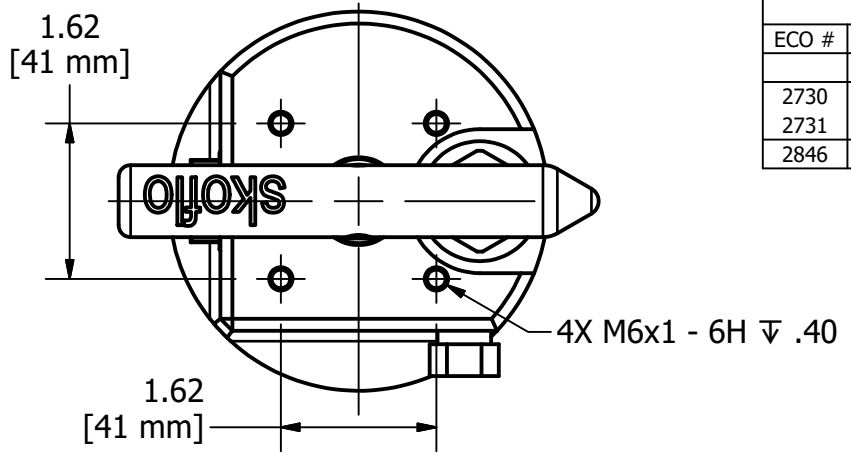


REVISION HISTORY							
ECO #	REV	DESCRIPTION	DATE	DRAWN	ENG1	ENG2	OTHER
	A	INITIAL RELEASE	2/12/19	JM	NA	JCD	
2730	B	SHT 2: ADD DETAIL C, REMOVE MEDIUM SPRING OPTION FROM TABLE 3 AND FROM CONFIGURATION NUMBER GUIDE	8/27/19	EF	NA	CA	
2731							
2846	C	ON SHT 2 ADD LOCTITE CALLOUT FOR ITEM 2;	11/4/19	PTS	JM	JC	



- NOTES:
- 1) NOMINAL WEIGHT = 18.1 lb [8.2 kg]
  - 2) RATED WORKING PRESSURE = 10,000 psi [689 bar]
  - 3) PROOF TEST PRESSURE = 15,000 psi [1034 bar]
  - 4) FLOW RATE RANGES:
    - a) 1 - 600 gpd
    - b) 50 - 2,500 gpd

ALL DIMENSIONS IN INCHES UNLESS OTHERWISE SPECIFIED		DRAWN J.MOORE 2/12/2019	SKOFLO INDUSTRIES, INC. WOODINVILLE, WA
DRAWING PER ANSI Y14.5M-2009	UNLESS SPECIFIED DEBURR & BREAK EDGES: .015/.005 Ra SURF. QUAL: 63 FILLETS: R.020/.008 DRILL POINT: 110-150°	ENG1 N.ALLEY 2/12/2019  ENG2 J.DUSHLETTA 2/12/2019  OTHER	
FRACTIONS ± 1/16 .X ± .03 .XX ± .010 .XXX ± .005 .XXX ± .0005 ANGULAR ± 3°		THIS DOCUMENT CONTAINS INFORMATION WHICH IS PROPRIETARY TO SKOFLO INDUSTRIES INC. THE INFORMATION CONTAINED HEREIN SHALL NOT BE DISCLOSED, DUPLICATED, USED IN WHOLE OR IN PART FOR ANY PURPOSE OTHER THAN TO EVALUATE THIS DOCUMENT	
		DWG NO SF10000HTVA-MA	REV C
SIZE B		SCALE NONE	SHEET 1 OF 2