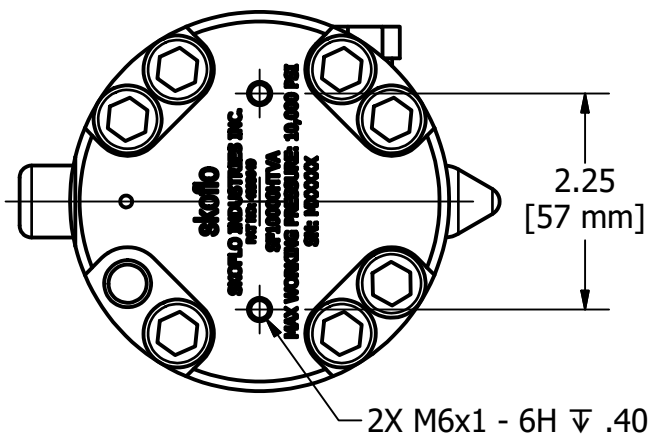
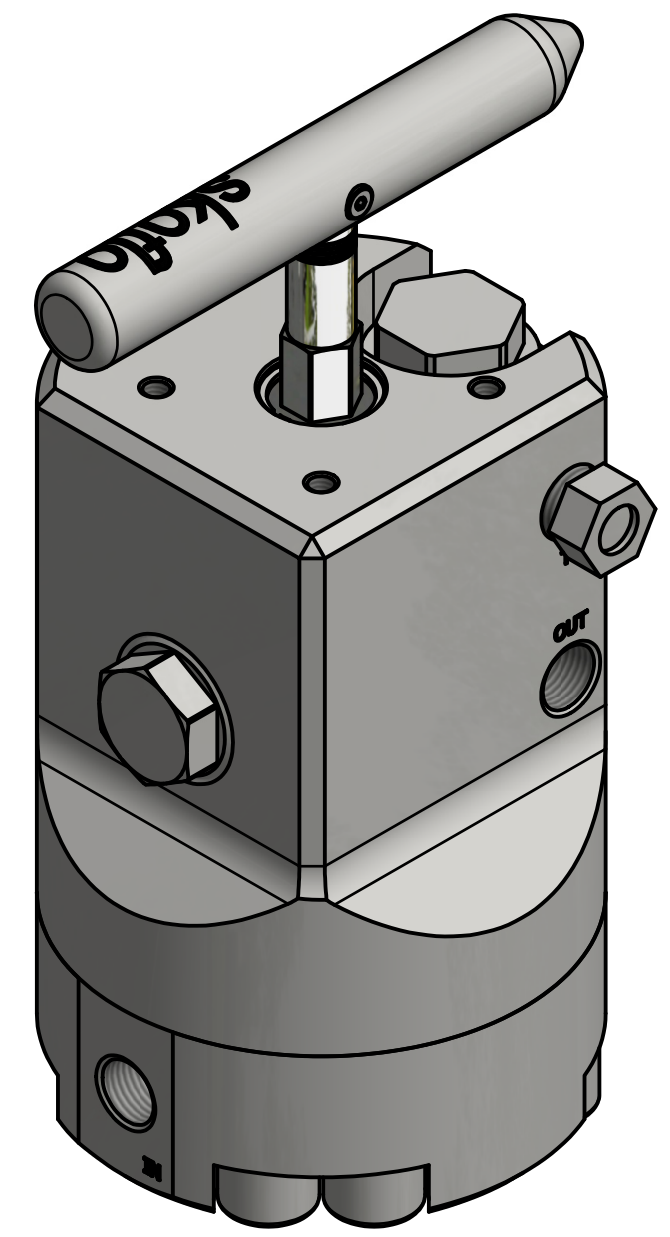
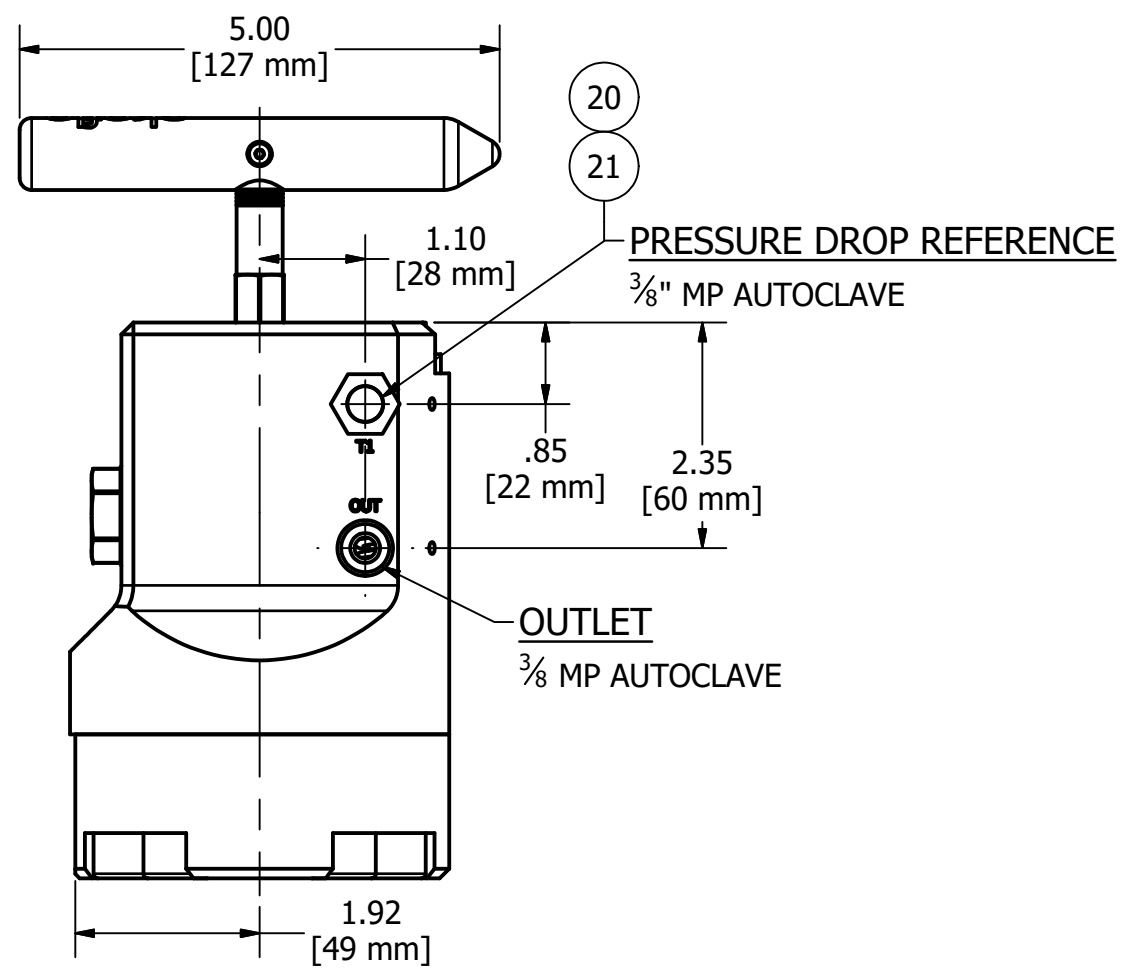
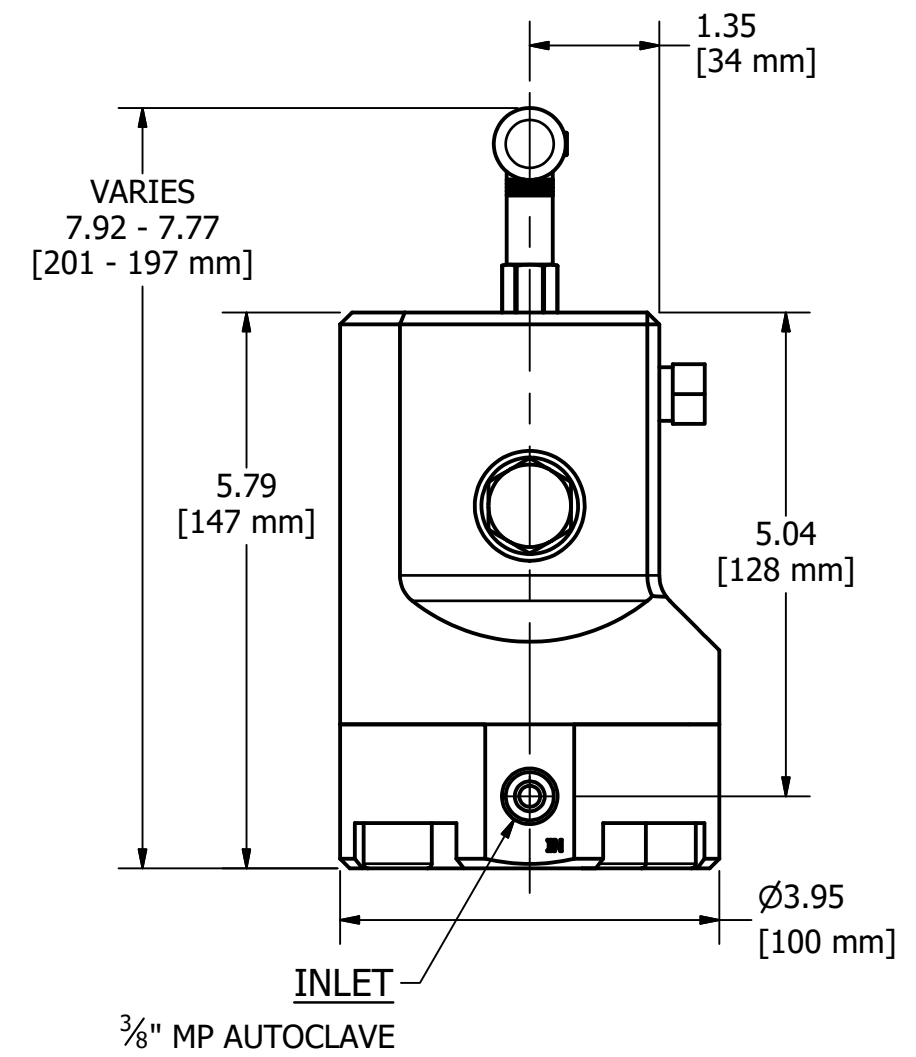
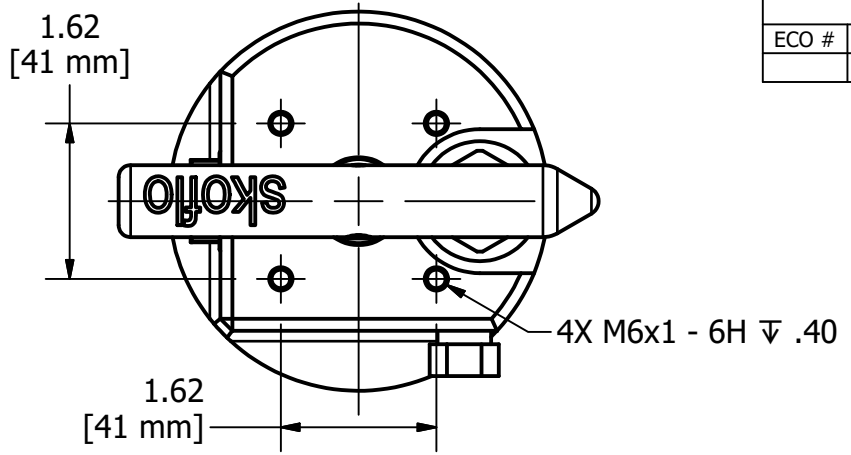


REVISION HISTORY							
ECO #	REV	DESCRIPTION	DATE	DRAWN	ENG1	ENG2	OTHER
	1	INITIAL RELEASE	9/17/19	EF	NA		



- NOTES:
- 1) NOMINAL WEIGHT = 18.0 lb [8.2 kg]
 - 2) RATED WORKING PRESSURE = 15,000 psi [1034 bar]
 - 3) PROOF TEST PRESSURE = 22,500 psi [1551 bar]
 - 4) FLOW RATE RANGES:
 - a) 1 - 600 gpd
 - b) 50 - 2,500 gpd

ALL DIMENSIONS IN INCHES UNLESS OTHERWISE SPECIFIED		DRAWN E. FAIRCHILD 8/28/2019		SKOFLO INDUSTRIES, INC. WOODINVILLE, WA	
DRAWING PER ANSI Y14.5M-2009		ENG1		VALVE ASSEMBLY, SURFACE, SF15000HTVA, MANUAL	
FRACTIONS ± 1/16 X ± .03 .XX ± .010 .XXX ± .005 .XXX ± .0005 ANGULAR ± 3°	UNLESS SPECIFIED DEBURR & BREAK EDGES: R15/005 Ra SURF. Q1AL: 63 FILLET: R.020/008 DRILL POINT: 110-150°	ENG2	ENVELOPE DRAWING		
THIS DOCUMENT CONTAINS INFORMATION WHICH IS PROPRIETARY TO SKOFLO INDUSTRIES INC. THE INFORMATION CONTAINED HEREIN SHALL NOT BE DISCLOSED, DUPLICATED, USED IN WHOLE OR IN PART FOR ANY PURPOSE OTHER THAN TO EVALUATE THIS DOCUMENT		OTHER	DWG NO SF15000HTVA-MA	REV 1	
SIZE B	SCALE NONE	SHEET 1 OF 2			