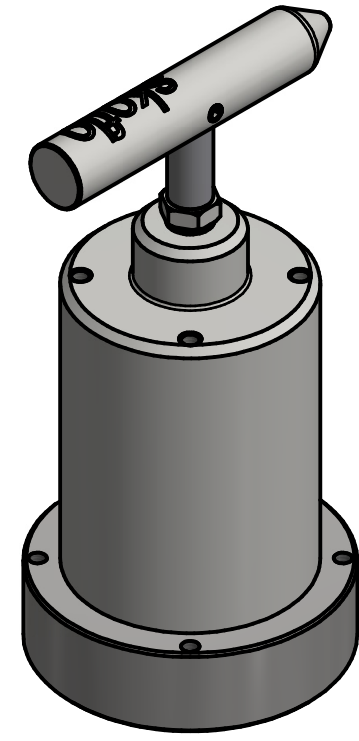
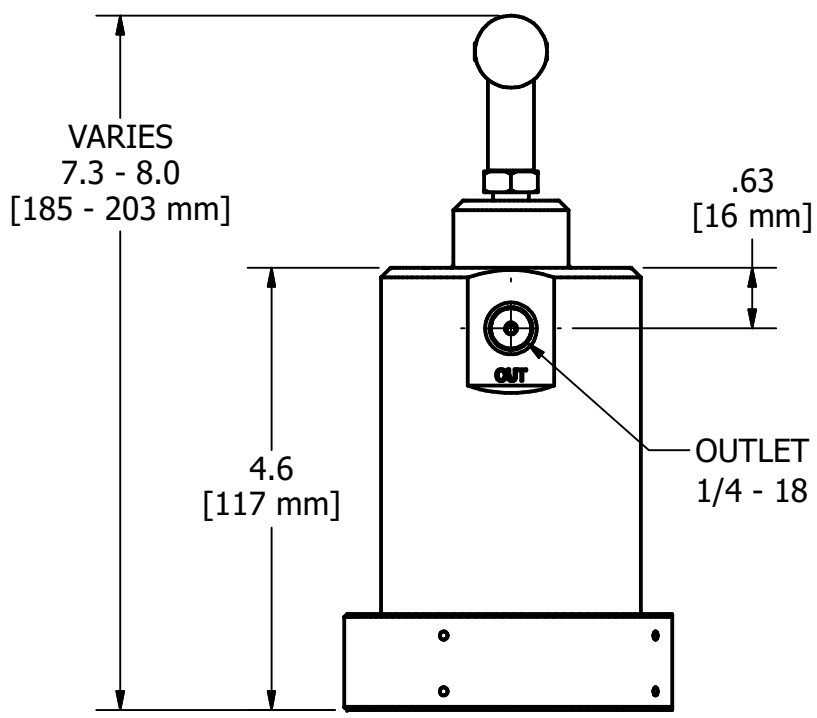
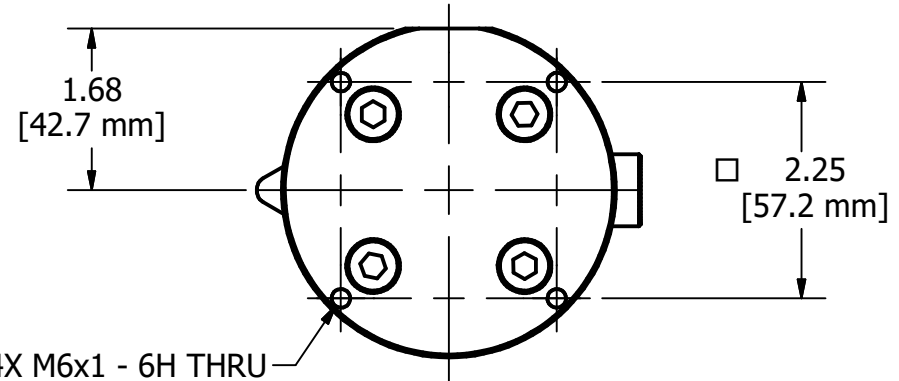
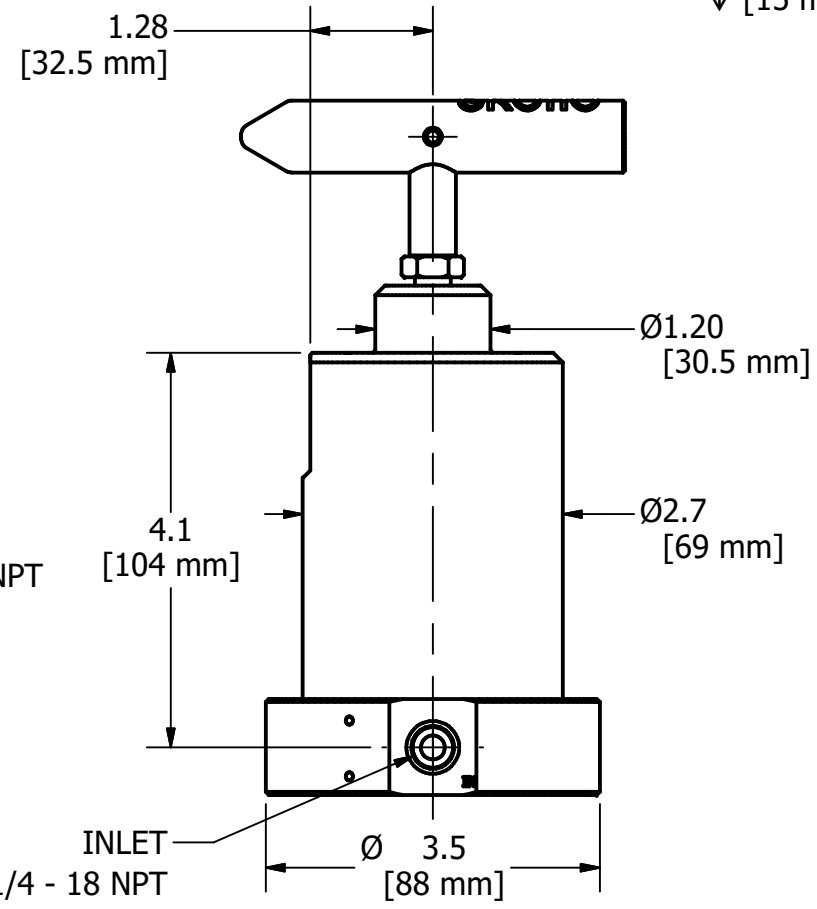
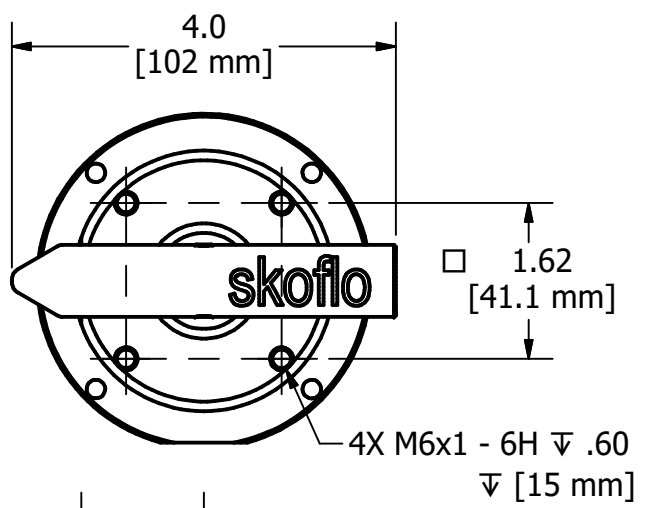



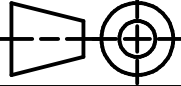
REVISION HISTORY							
ECN #	REV	DESCRIPTION	DATE	DRAWN	ENG1	ENG2	OTHER
	A	INITIAL RELEASE	2/22/2019	NA	JM	JCD	
2779	B	ITEM 19 MATERIAL CHANGED, BALLOONS REORGANIZED, CONFIGURATION NUMBER GUIDE LABELS ADDED	9/6/2019	CA	NA	JM	



CONFIGURATION NUMBER GUIDE

SF5000C	-	XXXX	-	XXXX
		2		FKMLT
		10		EPDM
		50		FFKM
		200		FKM
		750		FKMB
		FLOW CODE		HNBR
				SEAL MATERIAL

- NOTES:
- 1) NOMINAL WEIGHT = 9 lb [4.1 kg]
 - 2) RATED WORKING PRESSURE = 5,000 psi [345 bar]
 - 3) PROOF TEST PRESSURE = 7,500 psi [517 bar]
 - 4) FLOW RATE OPTIONS SEE TABLE 2

ALL DIMENSIONS IN INCHES UNLESS OTHERWISE SPECIFIED		DRAWN N. ALLEY 1/31/2019	 SKOFLO INDUSTRIES, INC. WOODINVILLE, WA
DRAWING PER ANSI Y14.5M-2009		ENG1 J. MOORE 3/1/2019 ENG2 J. DUSCHLETTA 3/4/2019 OTHER	
FRACTIONS \pm 1/16 X \pm .03 .XX \pm .010 .XXX \pm .005 .XXX \pm .0005 ANGULAR \pm 3°	UNLESS SPECIFIED DEBURR & BREAK EDGES: .015/.005 Ra SURF. QUAL: 63 FILLETS: R.020/.008 DRILL POINT: 110-150°	THIS DOCUMENT CONTAINS INFORMATION WHICH IS PROPRIETARY TO SKOFLO INDUSTRIES INC. THE INFORMATION CONTAINED HEREIN SHALL NOT BE DISCLOSED, DUPLICATED, USED IN WHOLE OR IN PART FOR ANY PURPOSE OTHER THAN TO EVALUATE THIS DOCUMENT	
		DWG NO SF5000C	REV B
SIZE B	SCALE NONE	SHEET 1 OF 2	