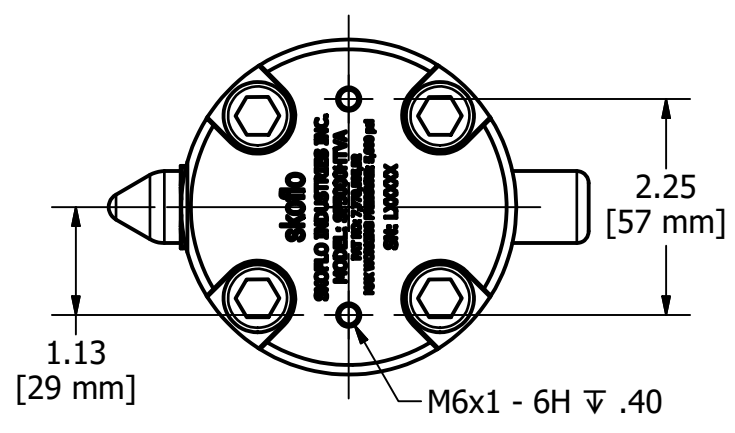
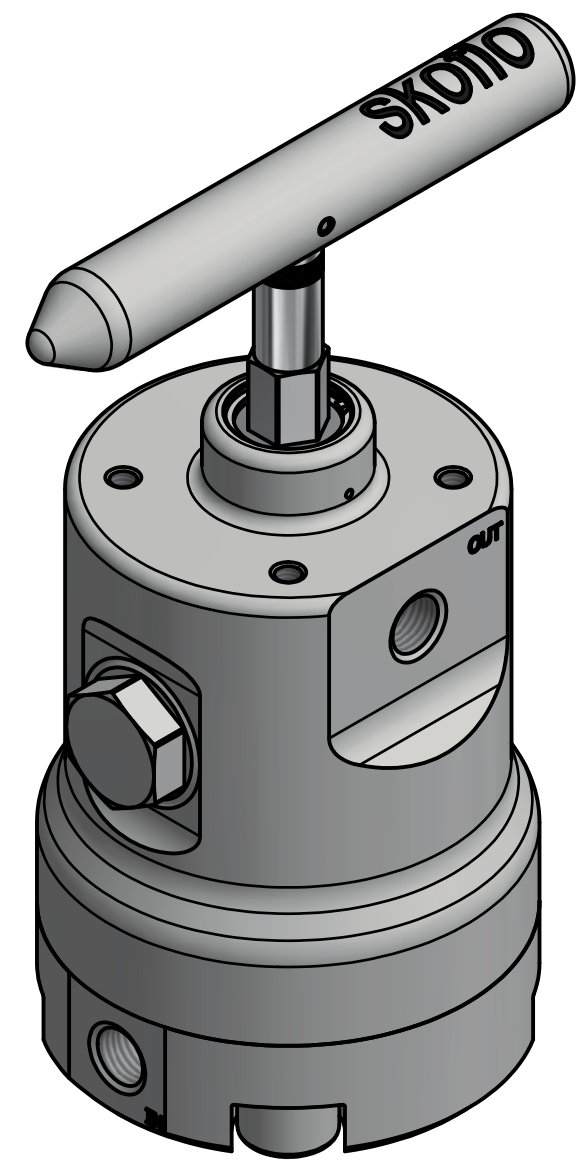
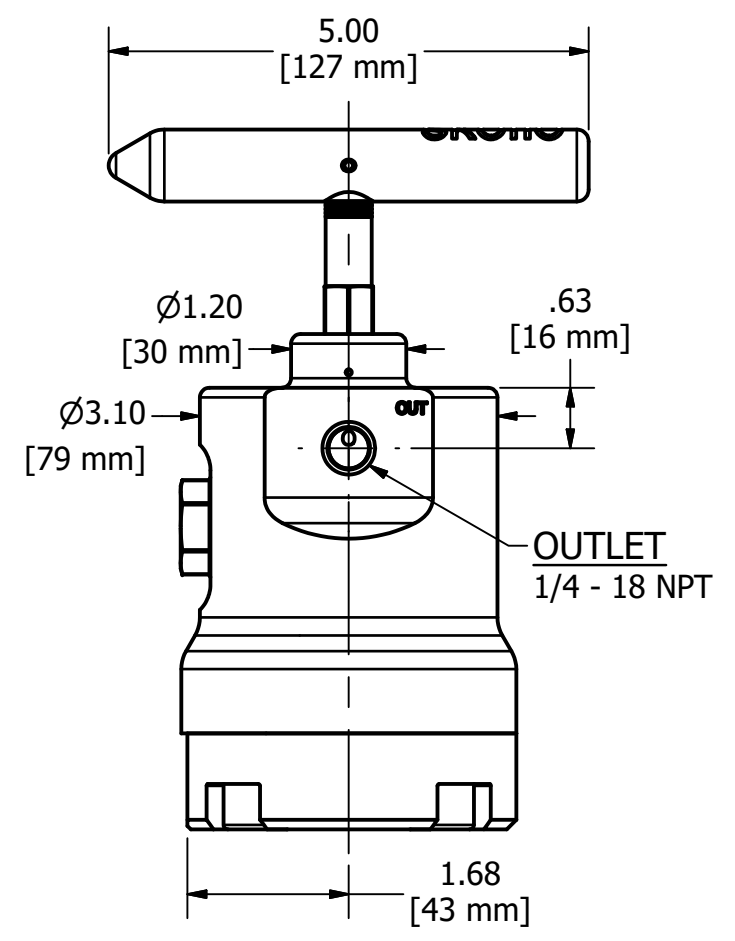
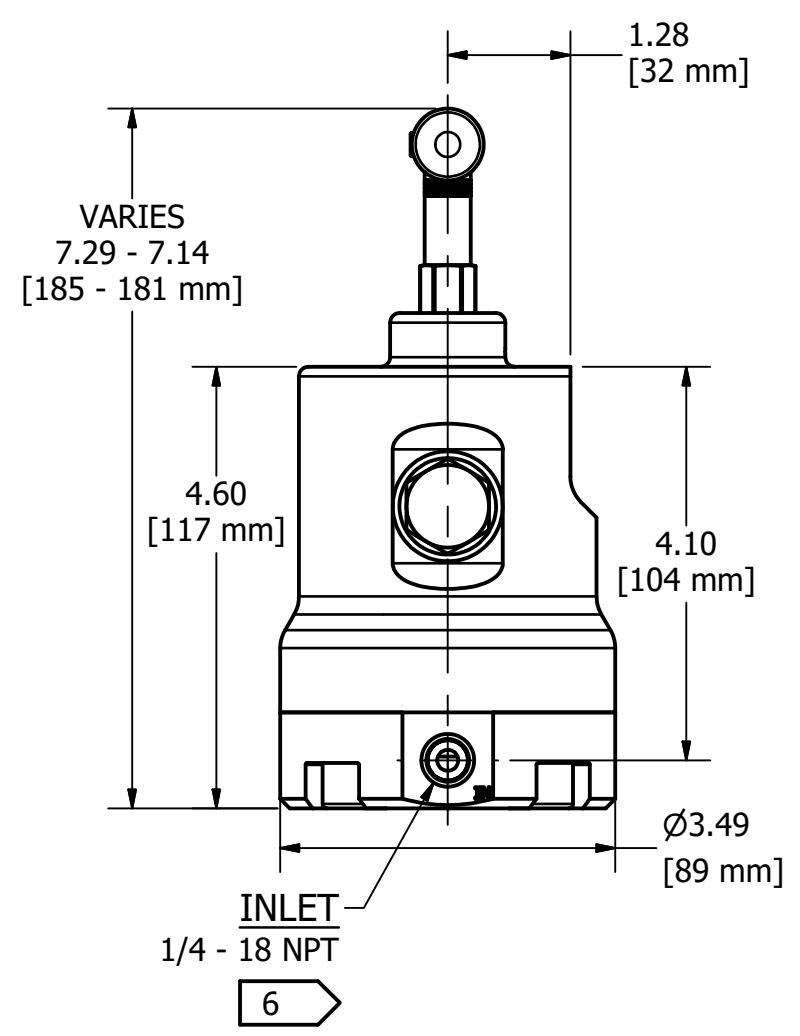
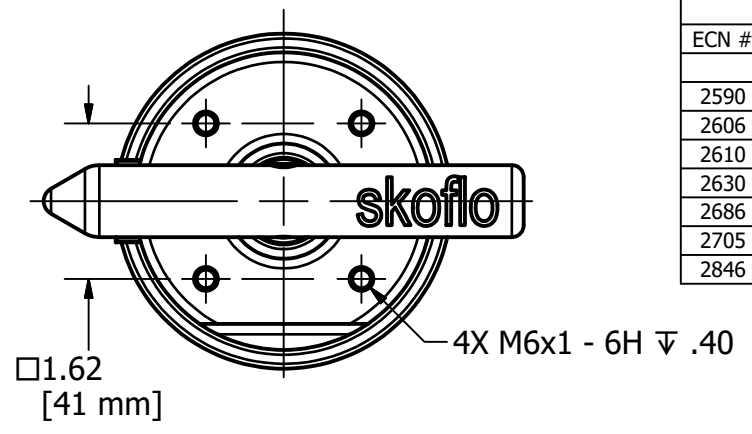


REVISION HISTORY							
ECN #	REV	DESCRIPTION	DATE	DRAWN	ENG1	ENG2	OTHER
	A	INITIAL RELEASE	7/19/18	JM	SS	JCD	
2590	B	PART 30842 WAS 30470	8/22/18	JM	NA	SS	
2606	C	GATE PAD TORQUE WAS 34 FT.LBF	10/4/18	JM	SS	NA	
2610	D	71006807 WAS 71001739	10/22/18	JM	NA	SS	
2630	E	71007136 WAS 71007042	12/4/18	JM	NA	MK	
2686	F	ADD ACTUATED CONFIGURATION, ADD TABLE 3	3/28/19	JM	NA	JCD	
2705	G	SHT 2, TABLE 2: 30470 WAS 30842	5/28/19	EF	JM	NA	
2846	H	ON SHT 2 ADD LOCTITE CALLOUT FOR ITEM 5;	11/4/19	PTS	JM	JC	



- NOTES:
- 1) NOMINAL WEIGHT = 11.3 lb [5.1 kg]
 - 2) RATED WORKING PRESSURE = 5,000 psi [345 bar]
 - 3) PROOF TEST PRESSURE = 7,500 psi [517 bar]
 - 4) FLOW RATE RANGES:
 - a) 0.6 - 700 gpd
 - b) 50 - 2,500 gpd
 - 5) MANUAL CONFIGURATION SHOWN
 - 6) ORIENTATION CAN BE ADJUSTED IN 90° INCREMENTS

ALL DIMENSIONS IN INCHES UNLESS OTHERWISE SPECIFIED	DRAWN J.MOORE 7/19/2018	SKOFLO INDUSTRIES, INC. WOODINVILLE, WA
DRAWING PER ANSI Y14.5M-2009	ENG1 S.SPAHI 7/19/2018 ENG2 J.DUSCHLETTA 7/19/2018 OTHER	
FRACTIONS ± 1/16 .X ± .03 .XX ± .010 .XXX ± .005 .XXX ± .0005 ANGULAR ± 3°	UNLESS SPECIFIED DEBURR & BREAK EDGES: .015/005 Ra SURF. QVAL: 63 FILLETS: R.020/008 DRILL POINT: 110-150°	THIS DOCUMENT CONTAINS INFORMATION WHICH IS PROPRIETARY TO SKOFLO INDUSTRIES INC. THE INFORMATION CONTAINED HEREIN SHALL NOT BE DISCLOSED, DUPLICATED, USED IN WHOLE OR IN PART FOR ANY PURPOSE OTHER THAN TO EVALUATE THIS DOCUMENT
DWG NO SF5000HTVA-MA		REV H
SIZE B	SCALE NONE	SHEET 1 OF 2