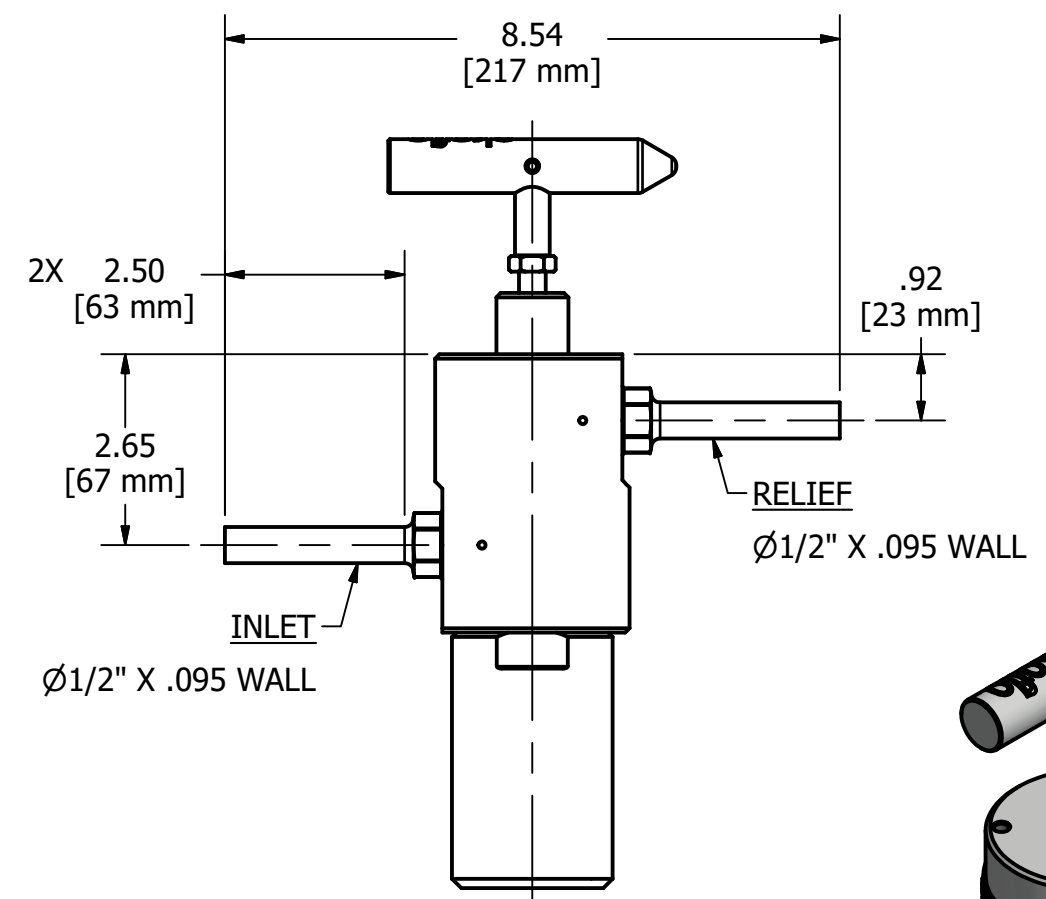
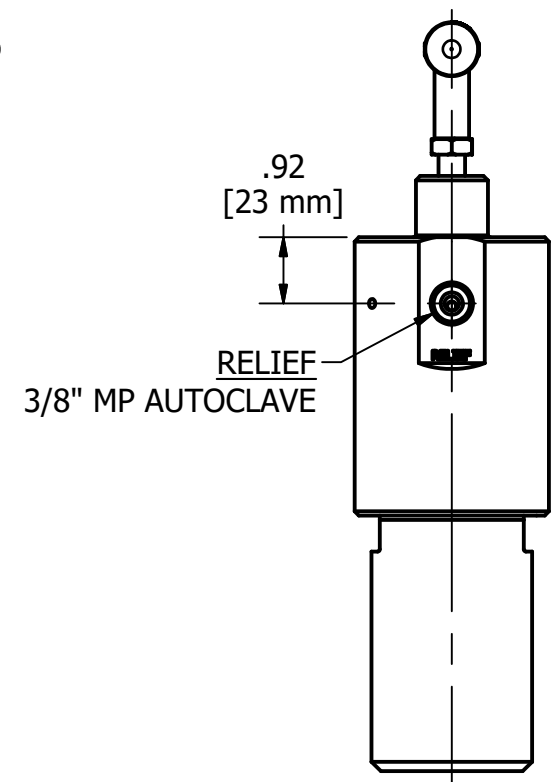
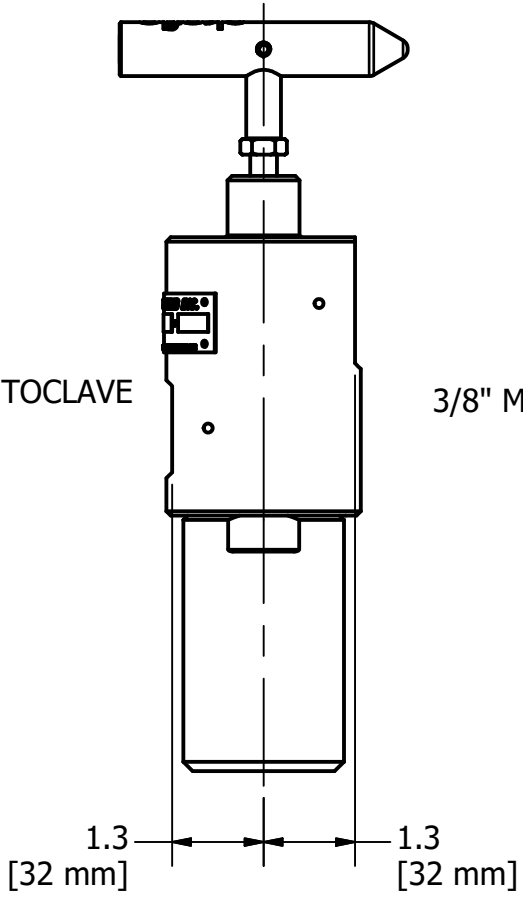
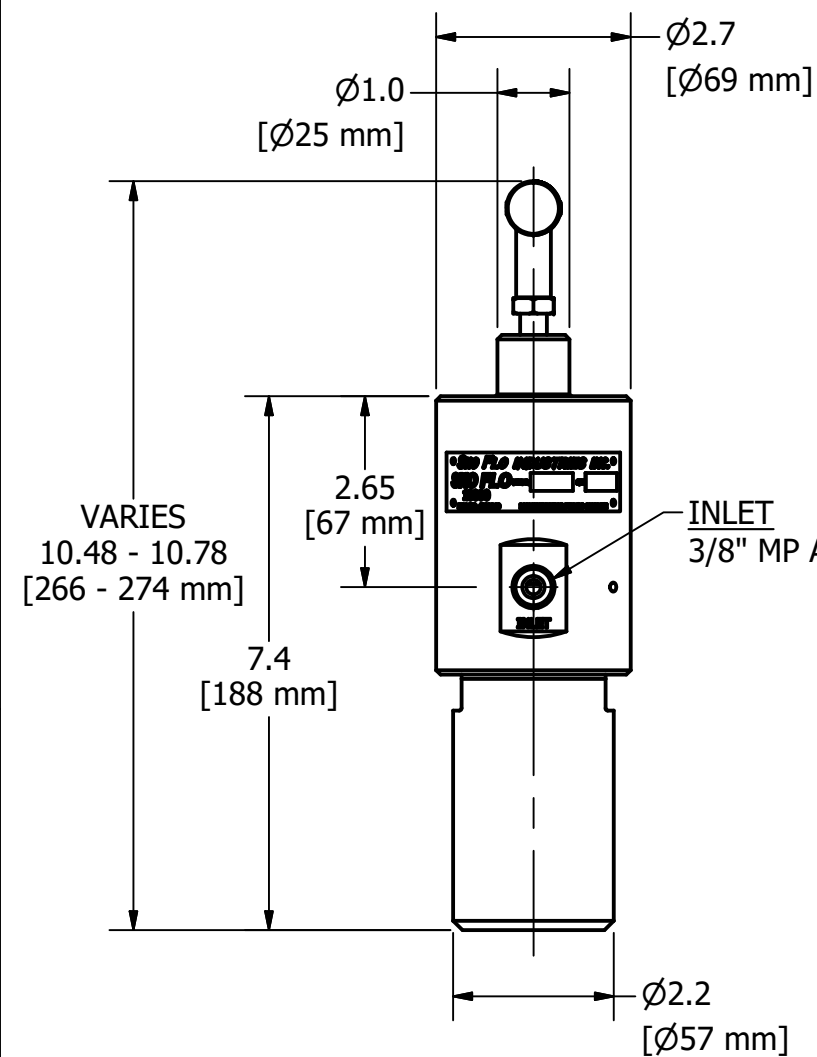
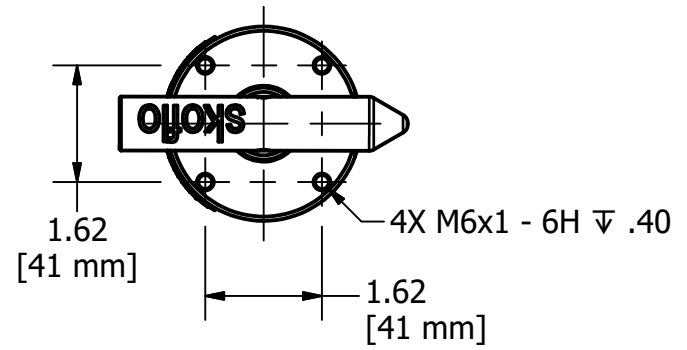
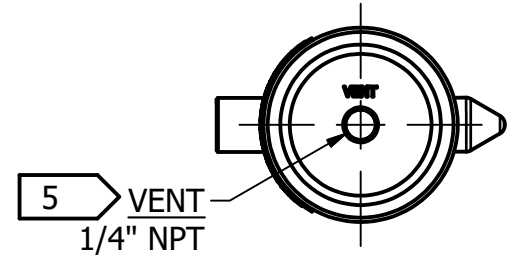
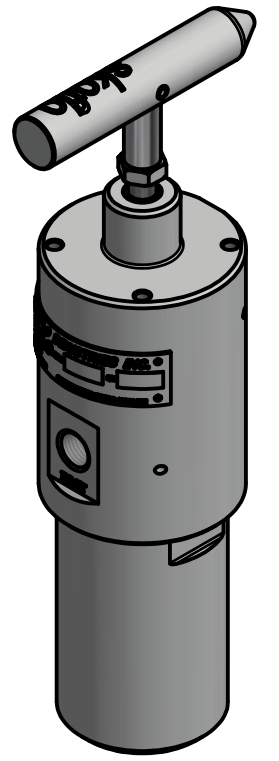


REVISION HISTORY							
ECO #	REV	DESCRIPTION	DATE	DRAWN	ENG1	ENG2	OTHER
	A	INITIAL RELEASE	7/18/19	EF	JM	NA	
2860	B	SPLIT AC VOLTAGES INTO 120, 208, 230 VAC, SPRING 71006349 WAS 71002074	11/15/19	JC	CA	JM	
2868	C	ON SHT 3, TABLE 1, UPDATED COLUMN FFKM TO REFLECT "ISOLAST" BRAND O-RING P/N's; ON SHT 3, ADD NOTE 13;	11/25/19	PTS	JM	NA	

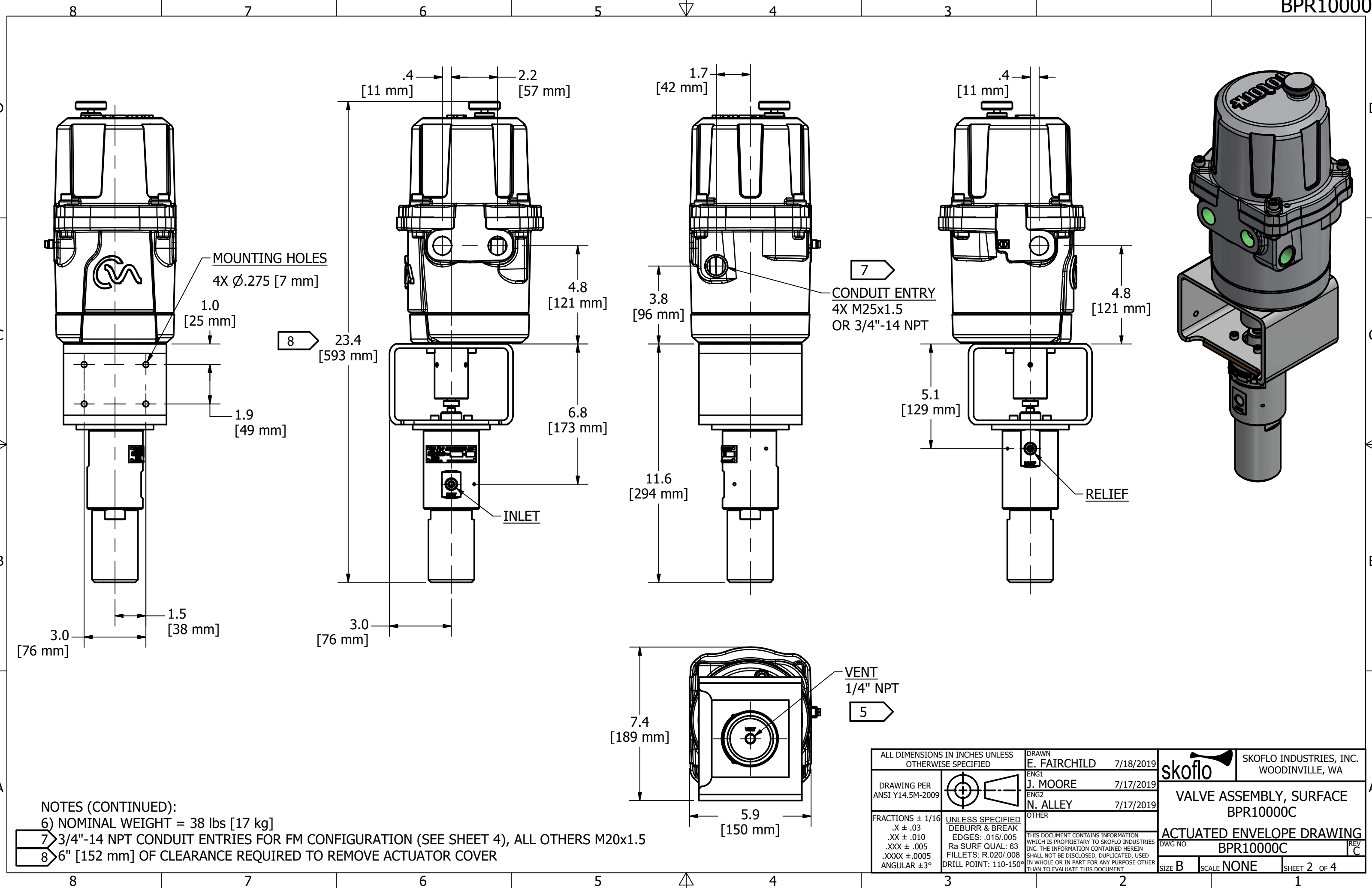


BPR1000C-X-X-XXXX-FK-MA




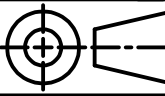
- NOTES:
- 1) NOMINAL WEIGHT (WITHOUT HUBS) = 18 lbs [8 kg]
 - 2) RATED WORKING PRESSURE = 10,000 psi [689 bar]
 - 3) PROOF TEST PRESSURE = 15,000 psi [1,034 bar]
 - 4) PRESSURE RANGE = 4,000 - 10,000 psi [275 - 689 bar]
 - 5) DO NOT BLOCK VENT

ALL DIMENSIONS IN INCHES UNLESS OTHERWISE SPECIFIED		DRAWN E. FAIRCHILD 7/18/2019		SKOFLO INDUSTRIES, INC. WOODINVILLE, WA
DRAWING PER ANSI Y14.5M-2009		ENG1 J. MOORE 7/17/2019		
FRACTIONS ± 1/16 .X ± .03 .XX ± .010 .XXX ± .005 .XXXX ± .0005 ANGULAR ± 3°	UNLESS SPECIFIED DEBURR & BREAK EDGES: .015/.005 Ra SURF QUAL: 63 FILLET: R.020/.008 DRILL POINT: 110-150°	ENG2 N. ALLEY 7/17/2019	VALVE ASSEMBLY, SURFACE BPR1000C	
THIS DOCUMENT CONTAINS INFORMATION WHICH IS PROPRIETARY TO SKOFLO INDUSTRIES INC. THE INFORMATION CONTAINED HEREIN SHALL NOT BE DISCLOSED, DUPLICATED, USED IN WHOLE OR IN PART FOR ANY PURPOSE OTHER THAN TO EVALUATE THIS DOCUMENT			DWG NO BPR1000C	REV C
SIZE B	SCALE NONE	SHEET 1 OF 4		

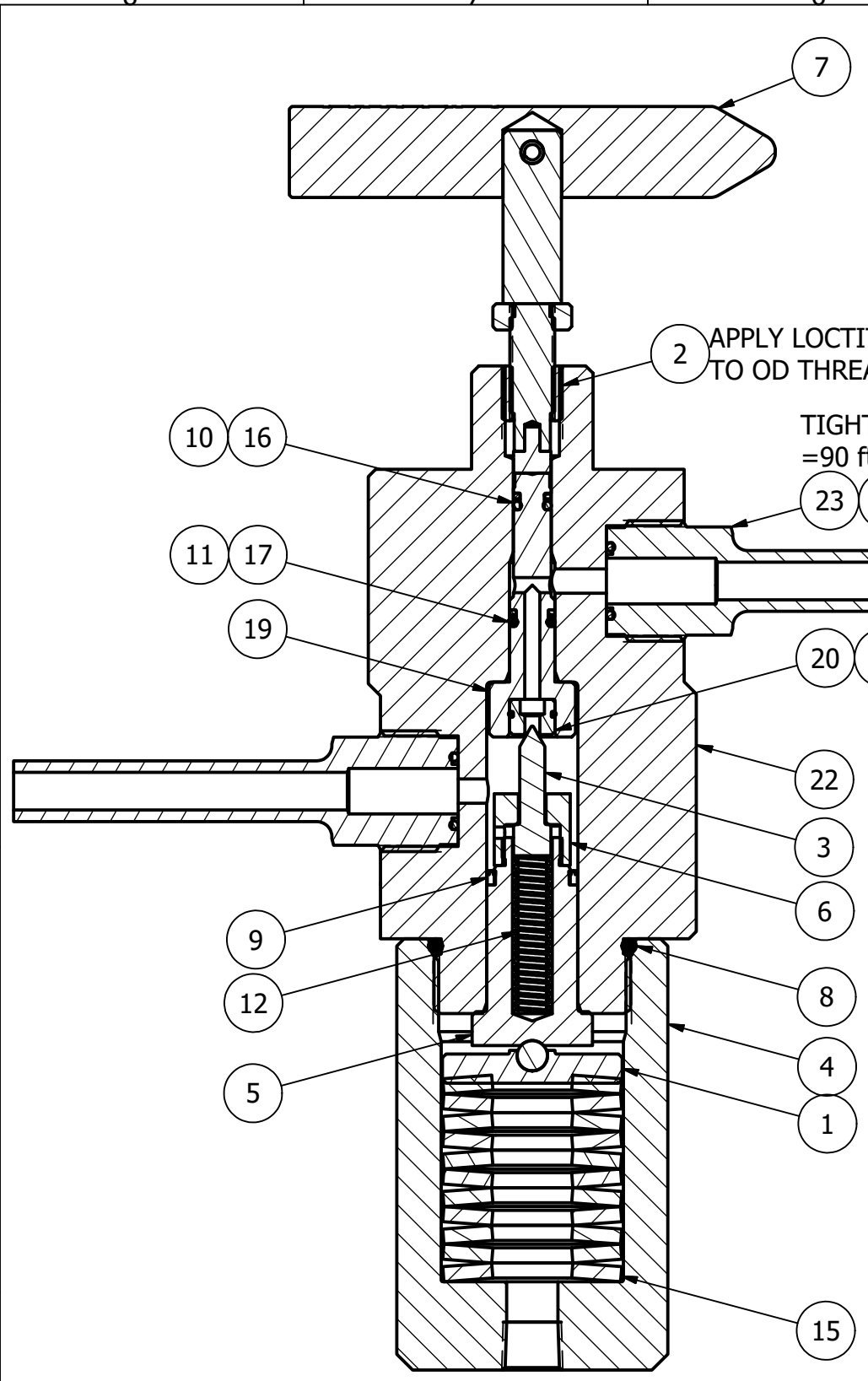


NOTES (CONTINUED):

- 6) NOMINAL WEIGHT = 38 lbs [17 kg]
- 7) 3/4"-14 NPT CONDUIT ENTRIES FOR FM CONFIGURATION (SEE SHEET 4), ALL OTHERS M20x1.5
- 8) 6" [152 mm] OF CLEARANCE REQUIRED TO REMOVE ACTUATOR COVER

ALL DIMENSIONS IN INCHES UNLESS OTHERWISE SPECIFIED		DRAWN E. FAIRCHILD 7/18/2019	 SKOFLU INDUSTRIES, INC. WOODINVILLE, WA
DRAWING PER ANSI Y14.5M-2009	 UNLESS SPECIFIED DEBURR & BREAK EDGES: .015/.005 Ra SURF QUAL: 63 FILLETS: R.020/.008 DRILL POINT: 110-150°	ENG1 J. MOORE 7/17/2019 ENG2 N. ALLEY 7/17/2019 OTHER	
FRACTIONS ± 1/16 .X ± .03 .XX ± .010 .XXX ± .005 .XXXX ± .0005 ANGULAR ± 3°		THIS DOCUMENT CONTAINS INFORMATION WHICH IS PROPRIETARY TO SKOFLU INDUSTRIES INC. THE INFORMATION CONTAINED HEREIN SHALL NOT BE DISCLOSED, DUPLICATED, USED IN WHOLE OR IN PART FOR ANY PURPOSE OTHER THAN TO EVALUATE THIS DOCUMENT	
		SIZE B	SCALE NONE
		SHEET 2 OF 4	

skoflo SKOFLU INDUSTRIES, INC.
 WOODINVILLE, WA
VALVE ASSEMBLY, SURFACE
BPR1000C
ACTUATED ENVELOPE DRAWING
 BPR1000C
 DWG NO. BPR1000C
 REV C



SECTION C-C

MANUAL CONFIGURATION NUMBER GUIDE

BPR1000C	-	X	-	X	-	XXXX	-	XX	-	MA
4,000-8,500 psi		3		1		EPDM		AE		AUTOCLAVE
4,000-10,000 psi		4		2		FFKM		FK		FKO
SPRING STACK PRESSURE RANGE				3		FKM		HYDRAULIC CONNECTION		
				FLOW RATE RANGE		FKMB				
						HNBR				
						SEAL CODE				

2 APPLY LOCTITE 271 TO OD THREAD

TIGHTENING TORQUE =90 ft.lbf [122 Nm]

TABLE 1: O-RING COMPOUND SELECTION

ITEM	EPDM	FFKM	FKM	FKMB	HNBR	DESCRIPTION
16	71001729	71007009	71001730	71003553	71004919	SL, O-RING, 2-008
17	71001738	71006901	71006807	71005994	71006929	SL, O-RING, 2-010
18	71001753	71007392	71001754	71007293	71007294	SL, O-RING, 2-014

TABLE 2: FLOW RATE RANGE SELECTION

ITEM	0-400 gpd	0-800 gpd	100-2000 gpd	DESCRIPTION
19	30925-001	30925-001	30925-002	SEAT HOLDER
20	21358	21358	20121	SEAT
21	N/A	N/A	71004402	O-RING

TABLE 3: CONNECTION SELECTIONS

ITEM	AUTOCLAVE	FKO	DESCRIPTION
22	27510	31024	BODY, BPR15000B
23	N/A	31025	HUB

TABLE 4: SPRING STACK SELECTION

ITEM	4,000-8,500 psi	4,000-10,000 psi	DESCRIPTION
15	22113	22114	WASHER SPRING SET, BPR10000C

PARTS LIST

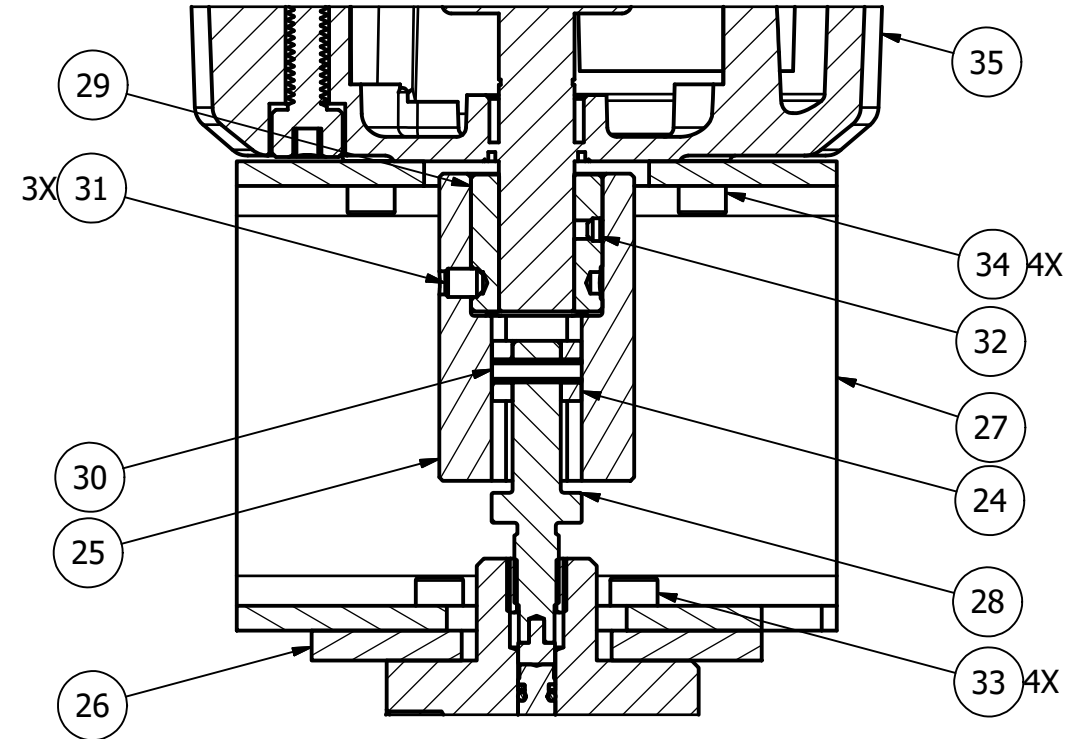
ITEM	QTY	PART NUMBER	DESCRIPTION	MATERIAL	PRESSURE CONTAINING
1	1	10179	ASSY, WASHER, SPRING STACK, BPR, LF, SURFACE	SEE DWG 10179	NO
2	1	20096	BUSHING, THREADED (3/8 X 1/2)	AI-NI-BRZ	NO
3	1	20200	PIN, Ø.207, LONG	ZIRCONIA	NO
4	1	20234	BASE, BPR, LF, SURFACE	NITRONIC 60	YES
5	1	20237	PISTON, BPR, LF, SURFACE	NITRONIC 60	YES
6	1	20238	HOLDER, PIN, BPR, LF, SURFACE	316L SS	NO
7	1	22211	HANDLE, ASSY, COMPLETE, BPR, LF, SURFACE	SEE DWG 22211	NO
8	1	71001833	SL, ORING, 3-920	EPDM	NO
9	1	71001871	SL, CUP, .75 OD X .625 ID	SEE DWG 71001871	YES
10	1	71001922	SL, BU RING, 8-008	PEEK	NO
11	1	71001924	SL, BU RING, 8-010	PEEK	NO
12	1	71006349	SPRING, COIL, Ø.304 X 1.94, PIN, BPR LF SUBSEA	ELGILOY	NO
13	4	71002116	U-DRIVE SCREW, RH, #2X1/4	302 SS	NO
14	1	71002142	NAMEPLATE, BPR10000C	316L SS	NO
15	1	SEE TABLE 4	WASHER SPRING SET, BPR10000C	316 SS	NO
16	1	SEE TABLE 1	SL, O RING, 2-008	SEE TABLE 1	YES
17	1	SEE TABLE 1	SL, O-RING, 2-010	SEE TABLE 1	NO
18	2	SEE TABLE 1	SL, O RING, 2-014	SEE TABLE 1	YES
19	1	SEE TABLE 2	HOLDER, SEAT, BPR5000D/10000C/15000B, SURFACE	NITRONIC 50 HS	YES
20	1	SEE TABLE 2	SEAT	ALUMINA	NO
21	1	SEE TABLE 2	SL, O RING	SEE TABLE 2	NO
22	1	SEE TABLE 3	BODY, BPR15000B	NITRONIC 50 HS	YES
23	2	SEE TABLE 3	HUB, 1-12 UNF, Ø1/2" X .095 WALL	SUPER DUPLEX 2507	YES

- NOTES (CONTINUED):
- 9) COAT ALL THREADS WITH DYNATEX ANTI-SEIZE & LUBRICATING COMPOUND (OR SIMILAR) UNLESS OTHERWISE STATED
 - 10) LUBRICATE ALL SEALS WITH PARKER SLUBE 884-4 (OR SIMILAR)
 - 11) SEE BPR10000C-INTERNAL FOR SPARES KITS PART LISTS
 - 12) ITEM 18 IS NOT REQUIRED FOR AUTOCLAVE CONFIGURATION
 - 13) PRESSURE CONTAINING FFKM O-RINGS SHALL BE "ISOLAST" GRADE J9523

ALL DIMENSIONS IN INCHES UNLESS OTHERWISE SPECIFIED	DRAWN E. FAIRCHILD 7/18/2019		SKOFLO INDUSTRIES, INC. WOODINVILLE, WA
DRAWING PER ANSI Y14.5M-2009	ENG1 J. MOORE 7/17/2019 ENG2 N. ALLEY 7/17/2019 OTHER		
FRACTIONS ± 1/16 .X ± .03 .XX ± .010 .XXX ± .005 .XXXX ± .0005 ANGULAR ±3°	UNLESS SPECIFIED DEBURR & BREAK EDGES: .015/.005 Ra SURF QUAL: 63 FILLETS: R.020/.008 DRILL POINT: 110-150°	VALVE ASSEMBLY, SURFACE BPR10000C MANUAL BOM BPR10000C	
THIS DOCUMENT CONTAINS INFORMATION WHICH IS PROPRIETARY TO SKOFLO INDUSTRIES INC. THE INFORMATION CONTAINED HEREIN SHALL NOT BE DISCLOSED, DUPLICATED, USED IN WHOLE OR IN PART FOR ANY PURPOSE OTHER THAN TO EVALUATE THIS DOCUMENT		DWG NO B SCALE NONE	REV C SHEET 3 OF 4


ACTUATED CONFIGURATION NUMBER GUIDE

BPR10000C	-	X	-	X	-	XXXX	-	XX	-	XX	-	XX	-	X	-	XX	
4,000-8,500 psi		3		1	0-400 gpd	EPDM		AE	AUTOCLAVE	MA	MANUAL	120	120 VAC	4	4 - 20mA	NA	FM
4,000-10,000 psi		4		2	0-800 gpd	FFKM		FK	FKO	AT	ACTUATOR	208	208 VAC	F	FIELD BUS	AX	ATEX
SPRING STACK PRESSURE RANGE				3	100-2000 gpd	FKM		HYDRAULIC CONNECTION		ACTUATOR SELECTION		230	230 VAC	H	HART	EX	IECEX
				FLOW RATE RANGE		FKMB						DC	24VDC	PROTOCOL CODE		GO	GOST
						HNBR						VOLTAGE SELECTION		HAZLOC SELECTION			
						SEAL CODE											



PARTS LIST					
ITEM	QTY	PART NUMBER	DESCRIPTION	MATERIAL	PRESSURE CONTAINING
24	1	20680	ADAPTER, SQUARE DRIVE, ACTUATOR	316 SS	NO
25	1	26540	COUPLER, ACTUATOR, SQUARE DRIVE	NITRONIC 50 HS	NO
26	1	27398	PLATE, ADAPTER, MOUNTING, ACTUATOR	316SS	NO
27	1	27430	BRACKET, ACTUATOR, BPR10000C/ 15000B	316L SS	NO
28	1	27480	STEM, ACTUATOR, SF15000C	SEE DWG 27480	NO
29	1	30802	SLEEVE, ADAPTER, ACTUATOR	316L SS	NO
30	1	71002082	RLPN, Ø.1875 X 0.75 LG	316 SS	NO
31	3	71002101	SHSS, CUP, M6-1 X 8	316 SS	NO
32	1	71002911	SHSS, CUP, 10-32 X 1/8	316 SS	NO
33	4	71007102	SHCS, M6X1 - 20	316 SS	NO
34	4	71007246	SHCS, M6X1 X 12LG	316 SS	NO
35	1	SEE DWG 71007126	ACTUATOR, ROTARY, CMR-200	SEE DWG 71007126	NO

NOTES (CONTINUED):
 14) ITEM 7 IS NOT REQUIRED FOR ACTUATED CONFIGURATION

ALL DIMENSIONS IN INCHES UNLESS OTHERWISE SPECIFIED	DRAWN E. FAIRCHILD 7/18/2019	 SKOFLO INDUSTRIES, INC. WOODINVILLE, WA
DRAWING PER ANSI Y14.5M-2009	ENG1 J. MOORE 7/17/2019 ENG2 N. ALLEY 7/17/2019 OTHER	
FRACTIONS ± 1/16 .X ± .03 .XX ± .010 .XXX ± .005 .XXXX ± .0005 ANGULAR ±3°	UNLESS SPECIFIED DEBURR & BREAK EDGES: .015/.005 Ra SURF QUAL: 63 FILLETS: R.020/.008 DRILL POINT: 110-150°	THIS DOCUMENT CONTAINS INFORMATION WHICH IS PROPRIETARY TO SKOFLO INDUSTRIES INC. THE INFORMATION CONTAINED HEREIN SHALL NOT BE DISCLOSED, DUPLICATED, USED IN WHOLE OR IN PART FOR ANY PURPOSE OTHER THAN TO EVALUATE THIS DOCUMENT
VALVE ASSEMBLY, SURFACE BPR10000C ACTUATED BOM BPR10000C		DWG NO BPR10000C REV C
SIZE B	SCALE NONE	SHEET 4 OF 4