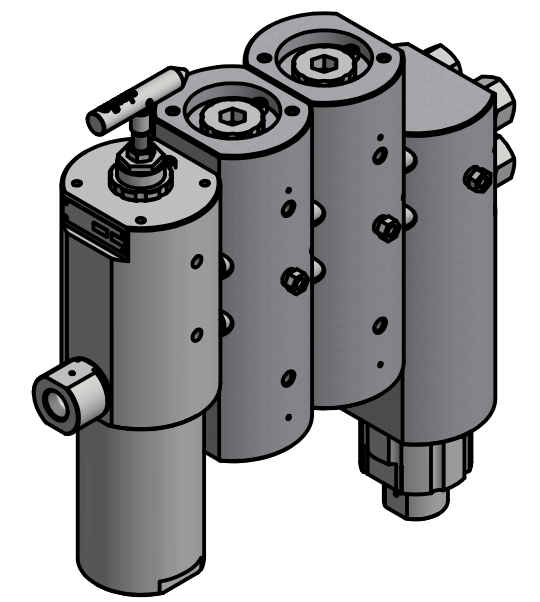
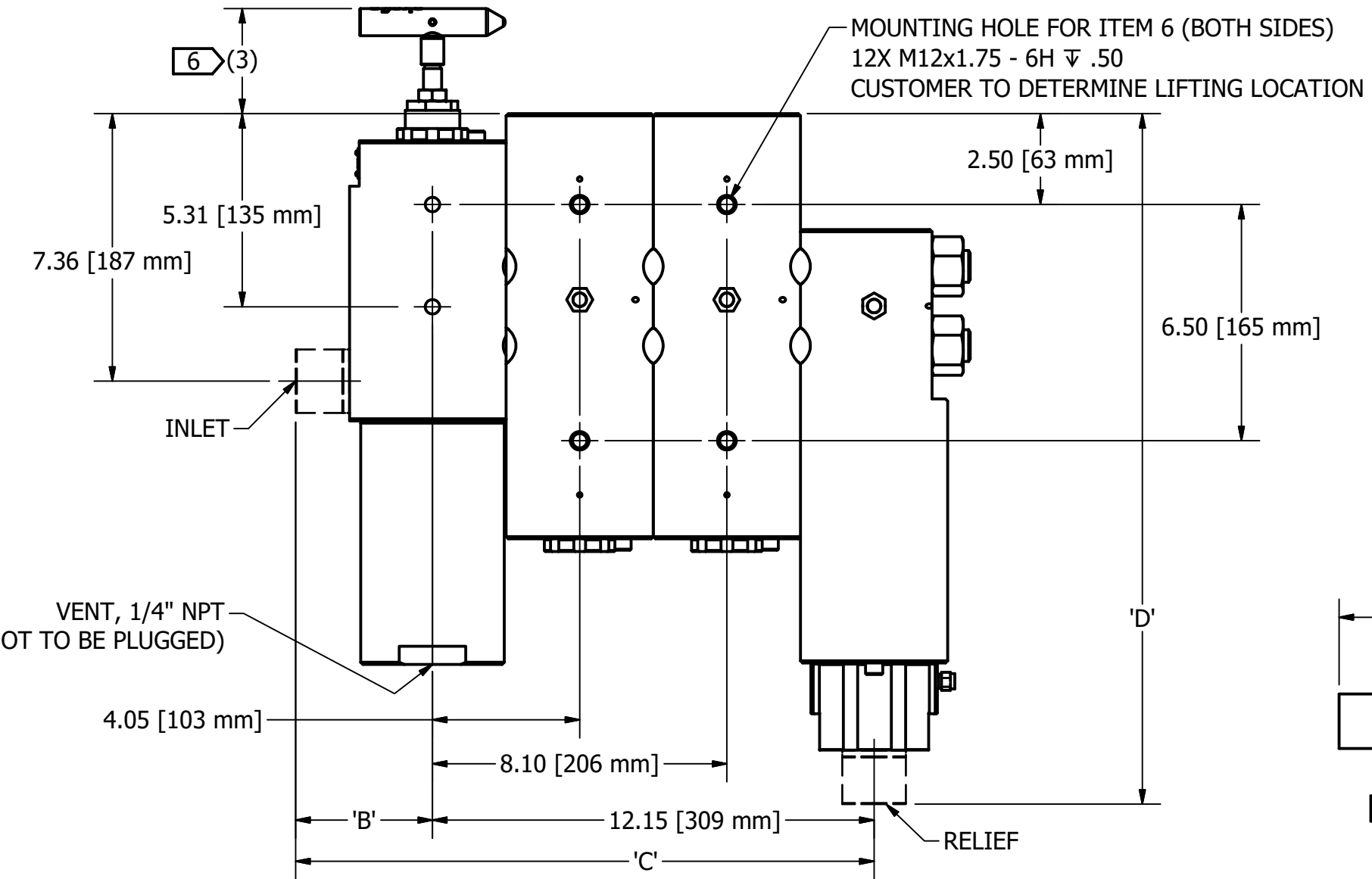
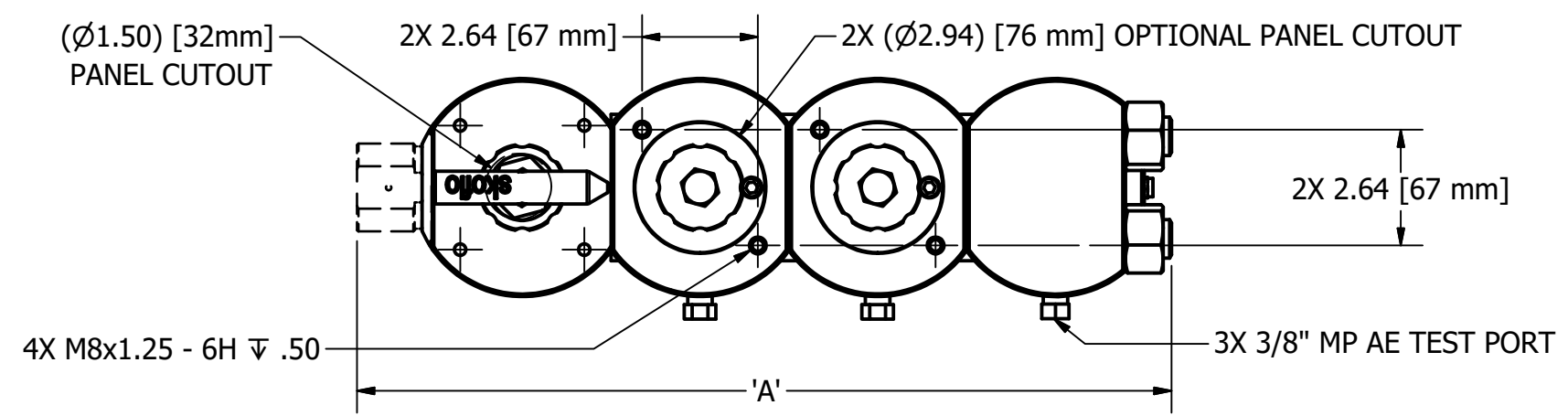


REVISION HISTORY

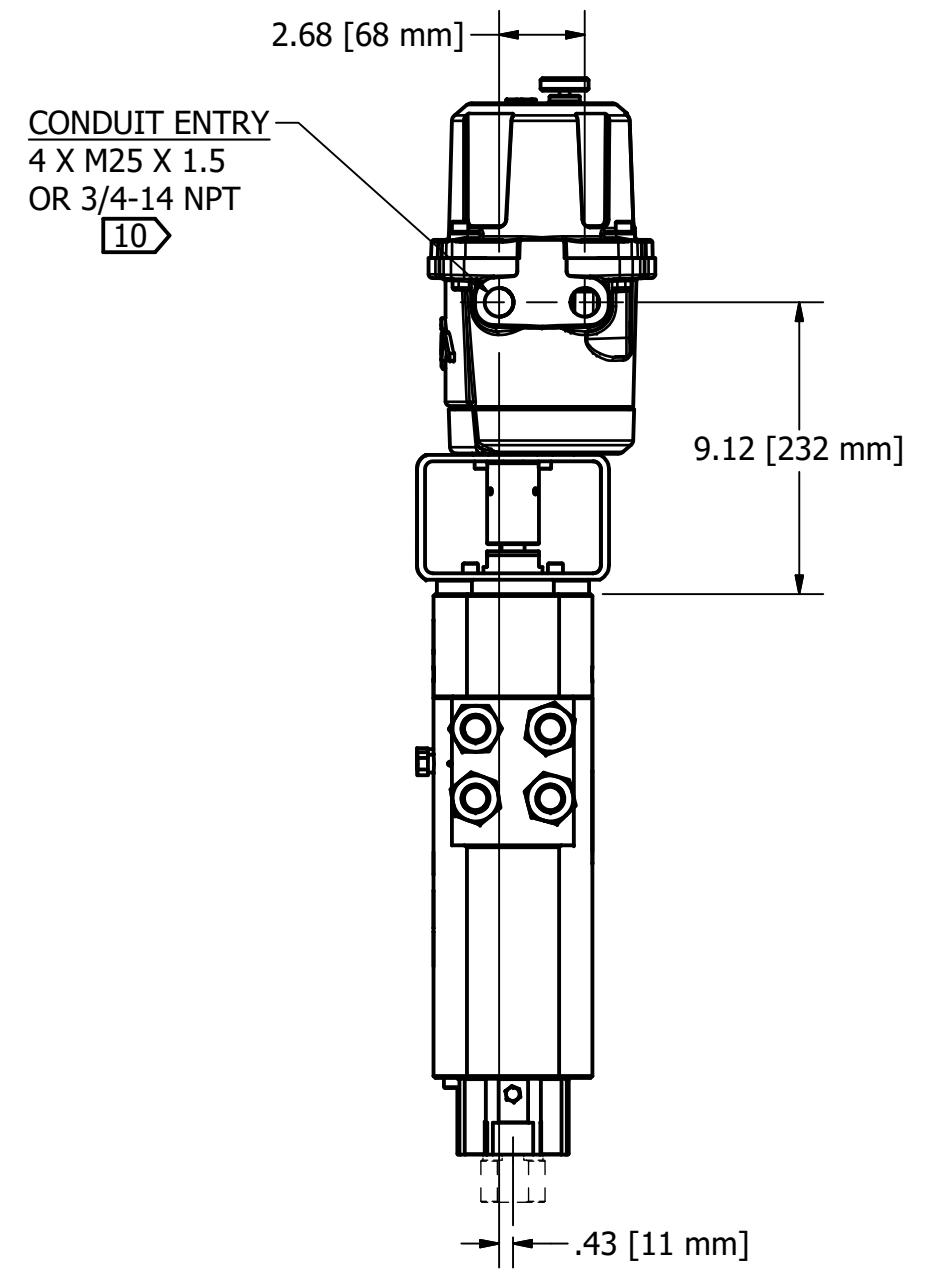
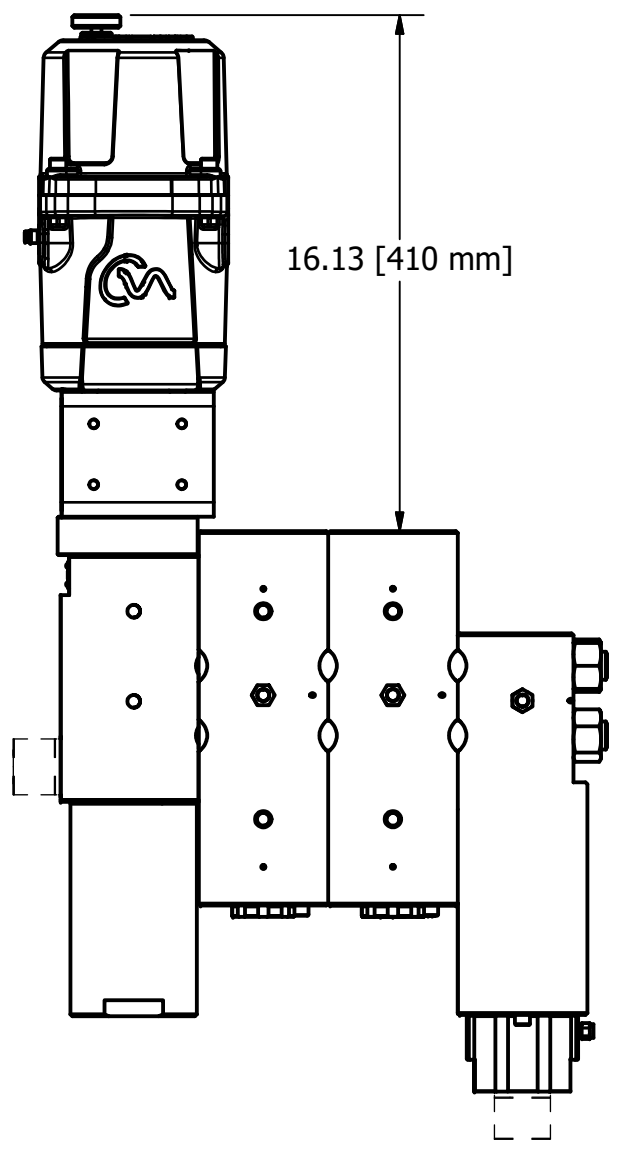
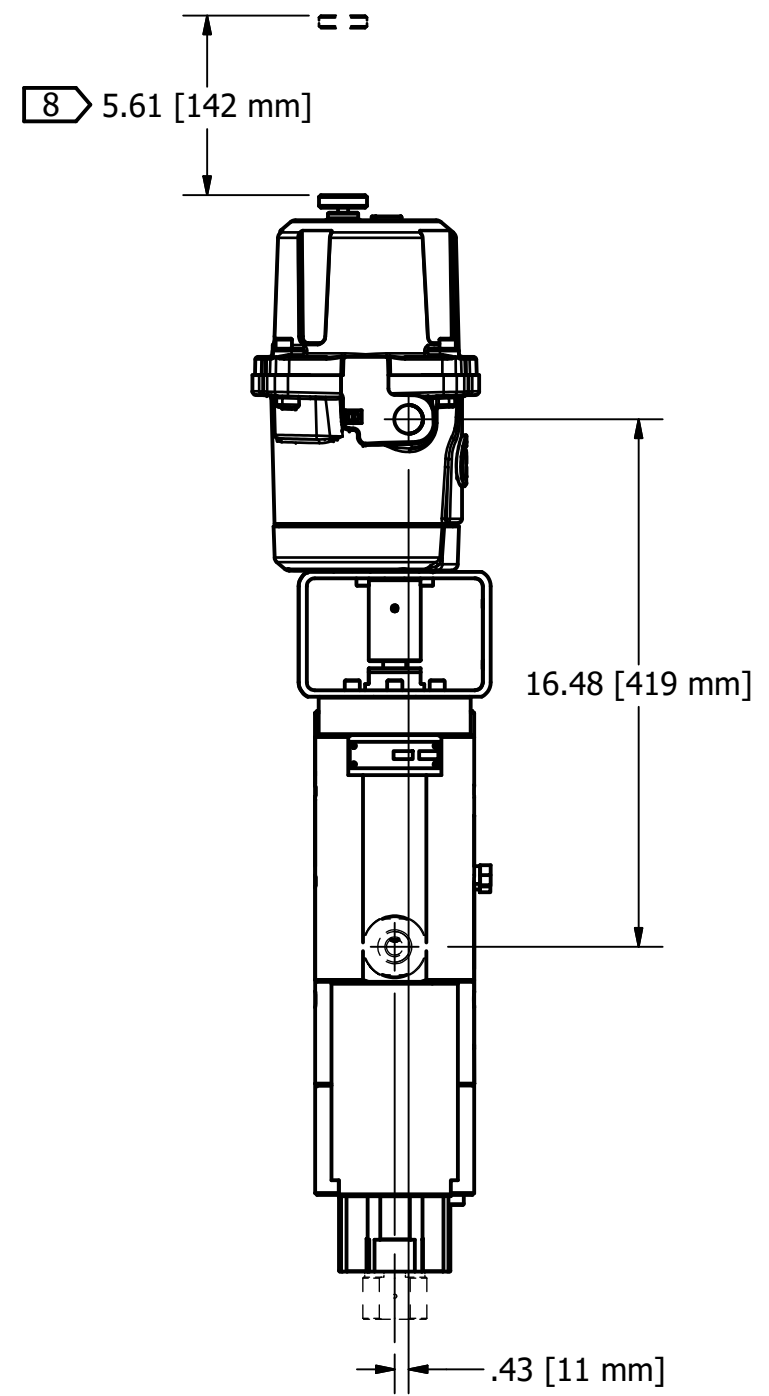
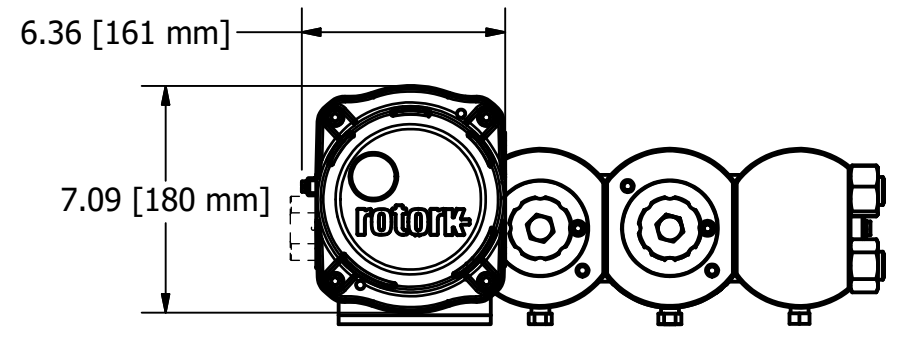
ECO #	REV	DESCRIPTION	DATE	DRAWN	ENG1	ENG2	OTHER
	A	INITIAL RELEASE	9/6/19	JM	CA	NA	
2790	B	ON SHT 4, TABLE #2 CORRECTED P/N ENTRY FOR 2GR16 HUB	9/10/2019	PTS	JM	CA	
2860	C	SEPARATED AC VOLTAGES IN CONFIGURATIONS, ON SHT 5 ADD ITEM 13 ACTUATOR FASTENERS	11/15/19	JC	CA	JM	




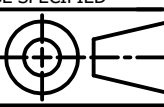
- NOTES:
- 1) RATED WORKING PRESSURE = 10,000 PSI [690 BAR]
 - 2) PROOF TEST PRESSURE = 15,000 PSI [1,034 BAR]
 - 3) FLOW RATE RANGE: 0.5-15 GPM [2.3-68 LPM]
 - 4) BPR10000MFB-XXXX-XXXX-MA SHOWN
 - 5) MANUAL NOMINAL WEIGHT: 232 LB [105 KG]
 - 6 VALVE IN CLOSED POSITION
 - 7 MALE FKO TUBE STUB, Ø3/4" X .134 WALL, SHIPPED UNCONNECTED FROM VALVE

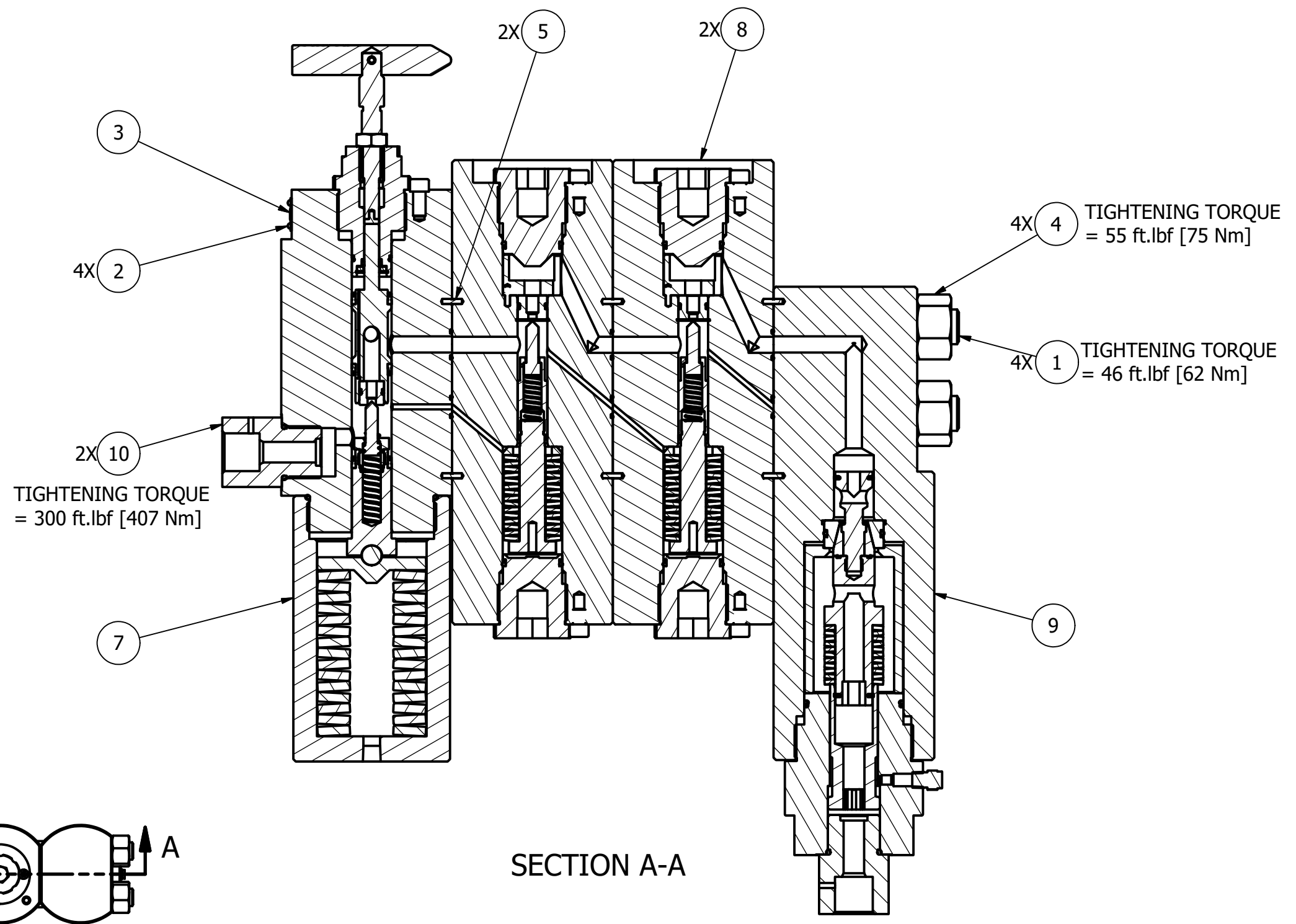
HUB TYPE	'A' (in.) [mm]	'B' (in.) [mm]	'C' (in.) [mm]	'D' (in.) [mm]
75FK	21.33 [542]	6.54 [166]	18.56 [471]	21.73 [552]
75MP	18.95 [481]	3.76 [96]	15.91 [404]	19.00 [483]
MPIH	19.95 [507]	5.55 [141]	17.70 [450]	20.79 [528]
1GR5	18.55 [471]	3.76 [96]	15.91 [404]	19.00 [483]
1GR7	20.93 [532]	6.14 [156]	18.18 [462]	21.38 [543]
2GR16	19.83 [504]	5.04 [128]	17.19 [437]	20.27 [515]

ALL DIMENSIONS IN INCHES UNLESS OTHERWISE SPECIFIED	DRAWN J. MOORE 9/5/2019		SKOFLO INDUSTRIES, INC. WOODINVILLE, WA
DRAWING PER ANSI Y14.5M-2009	ENG1 C. ARNOLD 9/5/2019 ENG2 N. ALLEY 9/5/2019 OTHER		
FRACTIONS ± 1/16 .X ± .03 .XX ± .010 .XXX ± .005 .XXXX ± .0005 ANGULAR ± 3°	UNLESS SPECIFIED DEBURR & BREAK EDGES: .015/.005 Ra SURF QUAL: 63 FILLETS: R.020/.008 DRILL POINT: 110-150°	VALVE ASSEMBLY, BPR10000MFB	
THIS DOCUMENT CONTAINS INFORMATION WHICH IS PROPRIETARY TO SKOFLO INDUSTRIES INC. THE INFORMATION CONTAINED HEREIN SHALL NOT BE DISCLOSED, DUPLICATED, USED IN WHOLE OR IN PART FOR ANY PURPOSE OTHER THAN TO EVALUATE THIS DOCUMENT		MANUAL ENVELOPE DRAWING BPR10000MFB	SHEET 1 OF 5

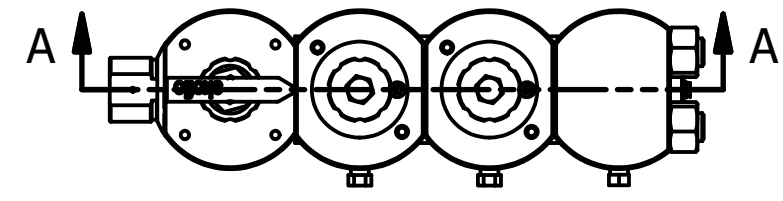


NOTES CONTINUED:
 8 COVER REMOVAL ALLOWANCE
 9) ACTUATED NOMINAL WEIGHT = 239 lbs. [108 KG]
 10 3/4"-14 NPT CONDUIT ENTRIES FOR FM CONFIGURATION (SEE SHEET 4), ALL OTHERS M20x1.5


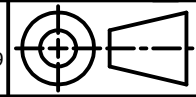
ALL DIMENSIONS IN INCHES UNLESS OTHERWISE SPECIFIED		DRAWN J. MOORE 9/5/2019	 SKOFLO INDUSTRIES, INC. WOODINVILLE, WA
DRAWING PER ANSI Y14.5M-2009		ENG1 C. ARNOLD 9/5/2019 ENG2 N. ALLEY 9/5/2019 OTHER	
FRACTIONS ± 1/16 .X ± .03 .XX ± .010 .XXX ± .005 .XXXX ± .0005 ANGULAR ± 3°	UNLESS SPECIFIED DEBURR & BREAK EDGES: .015/.005 Ra SURF QUAL: 63 FILLETS: R.020/.008 DRILL POINT: 110-150°	THIS DOCUMENT CONTAINS INFORMATION WHICH IS PROPRIETARY TO SKOFLO INDUSTRIES, INC. THE INFORMATION CONTAINED HEREIN SHALL NOT BE DISCLOSED, DUPLICATED, USED IN WHOLE OR IN PART FOR ANY PURPOSE OTHER THAN TO EVALUATE THIS DOCUMENT.	
		VALVE ASSEMBLY, BPR10000MFB ACTUATED ENVELOPE DRAWING DWG NO BPR10000MFB SIZE B SCALE NONE SHEET 2 OF 5	



SECTION A-A



- NOTES CONTINUED:
- 11) COAT ALL THREADS WITH DYNATEX ANTI-SEIZE AND LUBRICATING COMPOUND (OR SIMILAR) UNLESS OTHERWISE STATED
 - 12) LUBRICATE ALL SEALS WITH PARKER SLUBE 884-X (OR SIMILAR)
 - 13) SEE BPR MF-SK FOR SPARES KITS PARTS LISTS

ALL DIMENSIONS IN INCHES UNLESS OTHERWISE SPECIFIED		DRAWN J. MOORE 9/5/2019 ENG1 C. ARNOLD 9/5/2019 ENG2 N. ALLEY 9/5/2019 OTHER	 SKOFLO INDUSTRIES, INC. WOODINVILLE, WA
DRAWING PER ANSI Y14.5M-2009	 UNLESS SPECIFIED DEBURR & BREAK EDGES: .015/.005 Ra SURF QUAL: 63 FILLETS: R.020/.008 DRILL POINT: 110-150°	THIS DOCUMENT CONTAINS INFORMATION WHICH IS PROPRIETARY TO SKOFLO INDUSTRIES INC. THE INFORMATION CONTAINED HEREIN SHALL NOT BE DISCLOSED, DUPLICATED, USED IN WHOLE OR IN PART FOR ANY PURPOSE OTHER THAN TO EVALUATE THIS DOCUMENT	
FRACTIONS ± 1/16 .X ± .03 .XX ± .010 .XXX ± .005 .XXXX ± .0005 ANGULAR ± 3°		DWG NO BPR1000MFB	MANUAL BOM DRAWING BPR1000MFB
		SIZE B	SCALE NONE
		SHEET 3 OF 5	

PARTS LIST

ITEM	QTY	PART NUMBER	DESCRIPTION	MATERIAL	PRESSURE CONTAINING
1	4	21423	TIE ROD, BPR10000MFB	NITRONIC 50 HS	YES
2	4	71002116	U-DRIVE SCREW, RH, #2X1/4	302 SS	NO
3	1	71002143	NAMEPLATE	316L SS	NO
4	4	71002789	HEAVY HEX NUT, 7/8-9 UNC, COATED	316 SS	YES
5	2	71003528	DWL, 1/8 X 3/8	316L SS	NO
6	2	71004205	EYEBOLT LIFTING , M12-1.75 X 21 mm THREAD LENGTH AND 30mm EYE	304 SS	NO
7	1	SEE TABLE 1	ASSY, BPR, MF, PRIMARY STAGE	SEE DWG	YES
8	2	SEE TABLE 1	ASSY, BPR, MF, SECOND STAGE	SEE DWG	YES
9	1	SEE TABLE 1	ASSY, BPR, MF, CHECK STAGE	SEE DWG	YES
10	2	SEE TABLE 2	ADAPTER HUB	SEE TABLE 2	YES

MANUAL CONFIGURATION NUMBER GUIDE

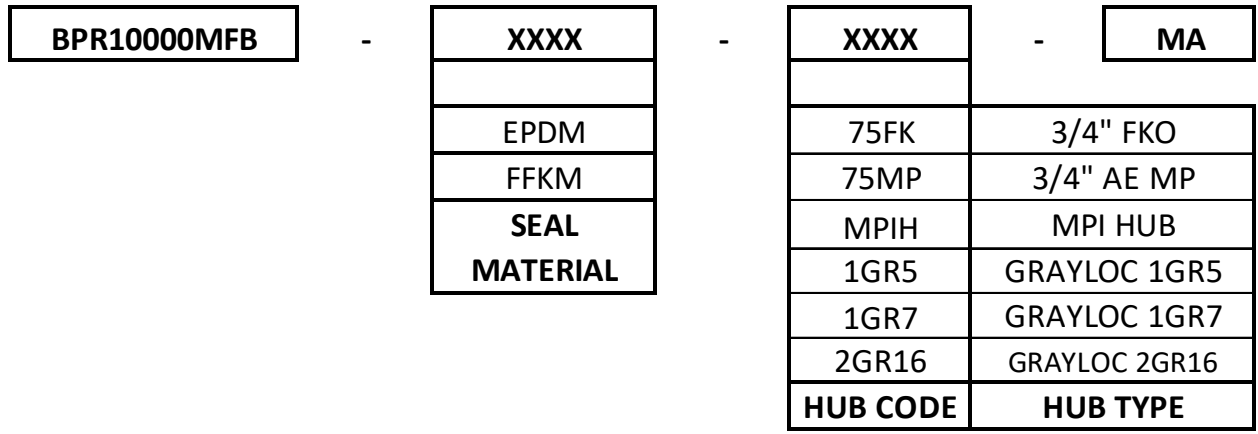


TABLE: 1 SEAL SELECTION

ITEM	EPDM	FFKM
7	20742-001	20742-002
8	20743-001	20743-002
9	29219-001	29219-002

TABLE 2: HUB SELECTION

ITEM	75FK	75MP	MPIH	1GR5	1GR7	2GR16
10	31046	20531	26465	71005634	28424	71007323
MATERIAL	SUPER DUPLEX 2507	NITRONIC 50 HS	NITRONIC 50 HS	NITRONIC 50 HS	SUPER DUPLEX 55	SUPER DUPLEX 55

ALL DIMENSIONS IN INCHES UNLESS OTHERWISE SPECIFIED	DRAWN J. MOORE 9/5/2019		SKOFLO INDUSTRIES, INC. WOODINVILLE, WA
DRAWING PER ANSI Y14.5M-2009			ENG1 C. ARNOLD 9/5/2019
FRACTIONS ± 1/16 .X ± .03 .XX ± .010 .XXX ± .005 .XXXX ± .0005 ANGULAR ± 3°	UNLESS SPECIFIED DEBURR & BREAK EDGES: .015/.005 Ra SURF QUAL: 63 FILLETS: R.020/.008 DRILL POINT: 110-150°	ENG2 N. ALLEY 9/5/2019	OTHER
THIS DOCUMENT CONTAINS INFORMATION WHICH IS PROPRIETARY TO SKOFLO INDUSTRIES INC. THE INFORMATION CONTAINED HEREIN SHALL NOT BE DISCLOSED, DUPLICATED, USED IN WHOLE OR IN PART FOR ANY PURPOSE OTHER THAN TO EVALUATE THIS DOCUMENT		MANUAL BOM	
DWG NO BPR10000MFB		REV C	SIZE B SCALE NONE SHEET 4 OF 5

ACTUATED CONFIGURATION NUMBER GUIDE

BPR10000MFB

XXXX
EPDM
FFKM
SEAL MATERIAL

XXXX	
75FK	3/4" FKO
75MP	3/4" AE MP
MPIH	MPI HUB
1GR5	GRAYLOC 1GR5
1GR7	GRAYLOC 1GR7
2GR16	GRAYLOC 2GR16
HUB CODE	HUB TYPE

AT

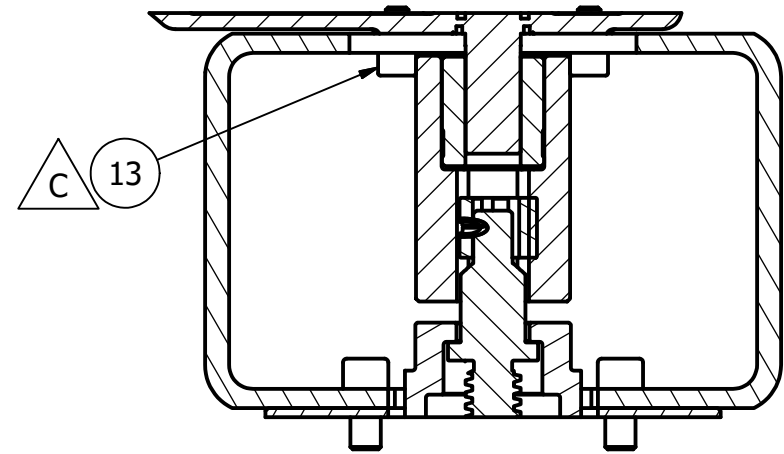
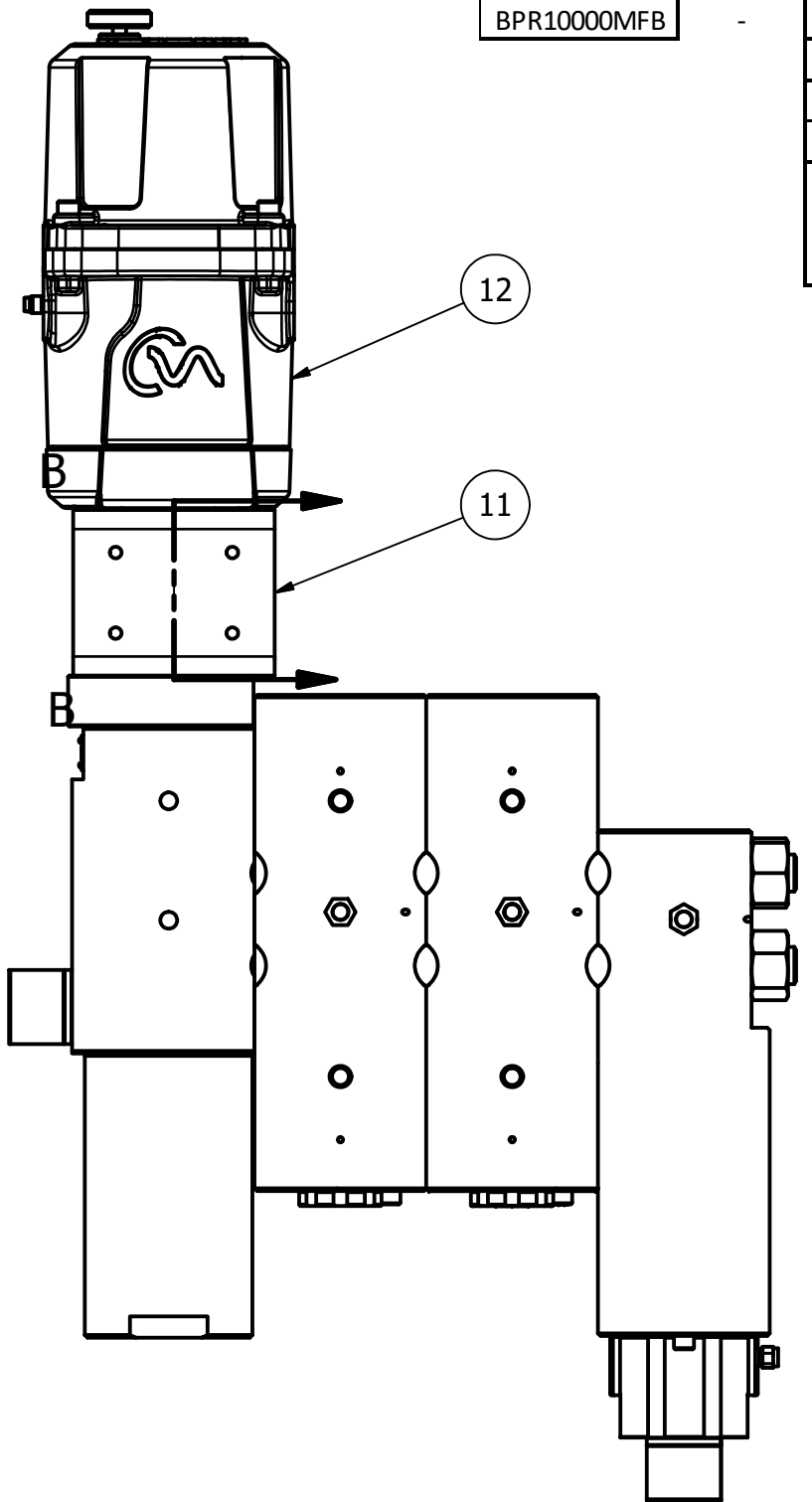
XX	
120	120 VAC
208	208 VAC
230	230 VAC
DC	24 VDC
VOLTAGE CODE	VOLTAGE

X	
4	4-20mA
F	FIELD BUS
H	HART
PROTOCOL CODE	COM. PROTOCOL

XX	
AX	ATEX
EX	IECEX
NA	FM
GO	GOST
CODE	HAZLOC CERTIFICATION



TABLE: 3 SEAL SELECTION		
ITEM	EPDM	FFKM
11	30932-001	30932-002



SECTION B-B

NOTES CONTINUED:
14) ITEM 7 IS NOT REQUIRED FOR ACTUATED CONFIGURATION

PARTS LIST CONTINUED - ACTUATED ONLY

ITEM	QTY	PART NUMBER	DESCRIPTION	MATERIAL	PRESSURE CONTAINING
11	1	SEE TABLE 3	ASSY, BPR, MF, PRIMARY STAGE, ACTUATOR	SEE DWG 30932	YES
12	1	SEE DWG 71007126	ACTUATOR, ROTARY, CMR-200	SEE DWG 71007126	NO
13	4	71007246	SHCS, M6X1 X 12LG	316 SS	NO

ALL DIMENSIONS IN INCHES UNLESS OTHERWISE SPECIFIED	DRAWN J. MOORE 9/5/2019		SKOFLO INDUSTRIES, INC. WOODINVILLE, WA
DRAWING PER ANSI Y14.5M-2009			ENG1 C. ARNOLD 9/5/2019 ENG2 N. ALLEY 9/5/2019 OTHER
FRACTIONS ± 1/16 .X ± .03 .XX ± .010 .XXX ± .005 .XXXX ± .0005 ANGULAR ± 3°	UNLESS SPECIFIED DEBURR & BREAK EDGES: .015/.005 Ra SURF QUAL: 63 FILLETS: R.020/.008 DRILL POINT: 110-150°	THIS DOCUMENT CONTAINS INFORMATION WHICH IS PROPRIETARY TO SKOFLO INDUSTRIES INC. THE INFORMATION CONTAINED HEREIN SHALL NOT BE DISCLOSED, DUPLICATED, USED IN WHOLE OR IN PART FOR ANY PURPOSE OTHER THAN TO EVALUATE THIS DOCUMENT	
		DWG NO	ACTUATED BOM BPR10000MFB
		SIZE B	SCALE NONE SHEET 5 OF 5