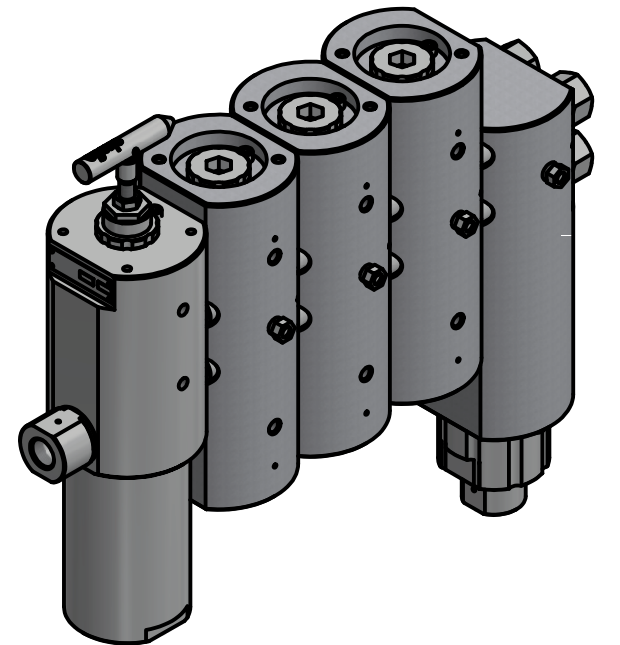
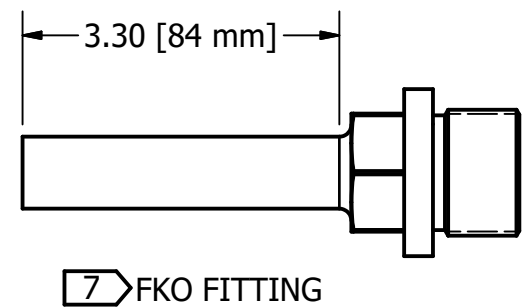
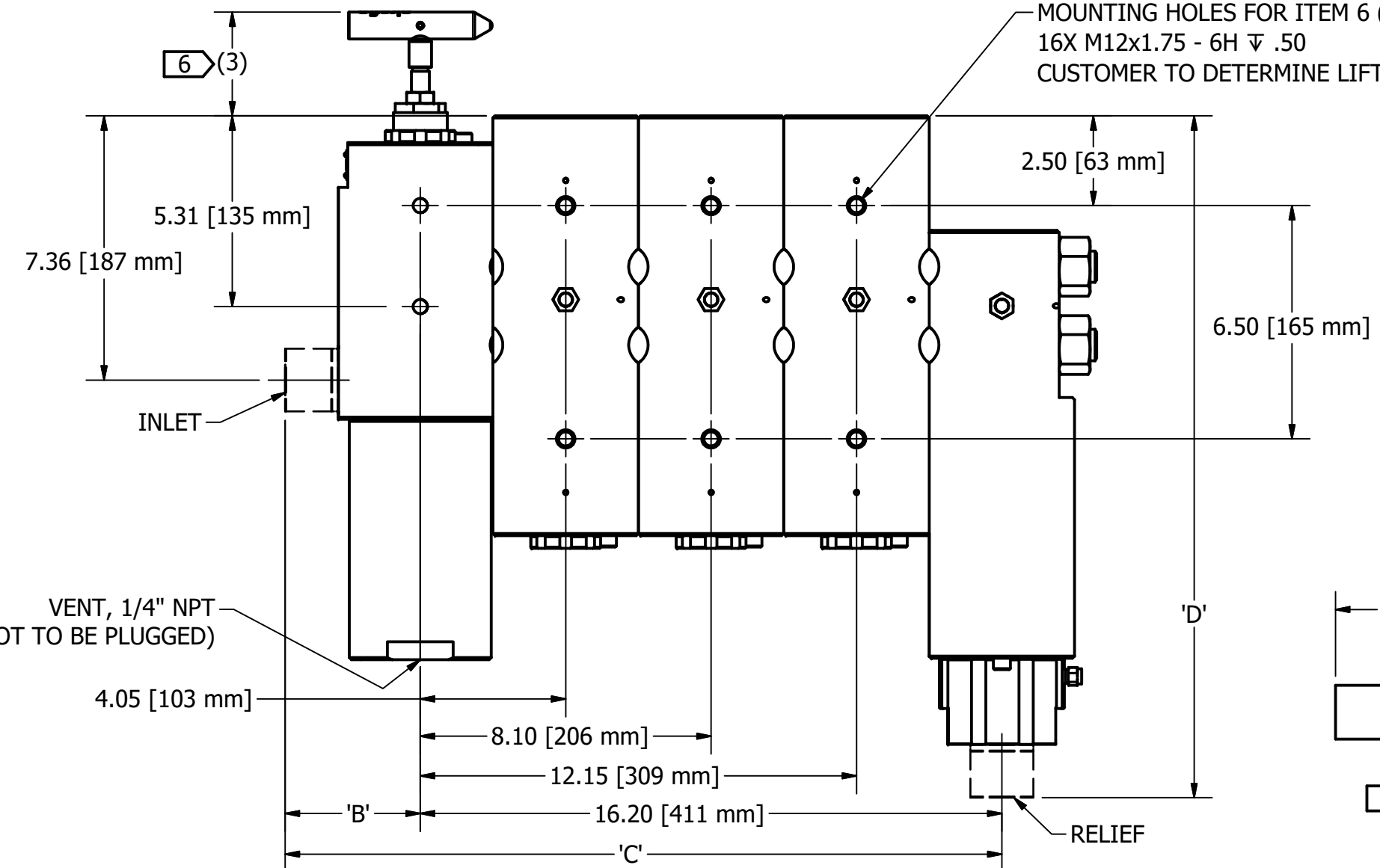
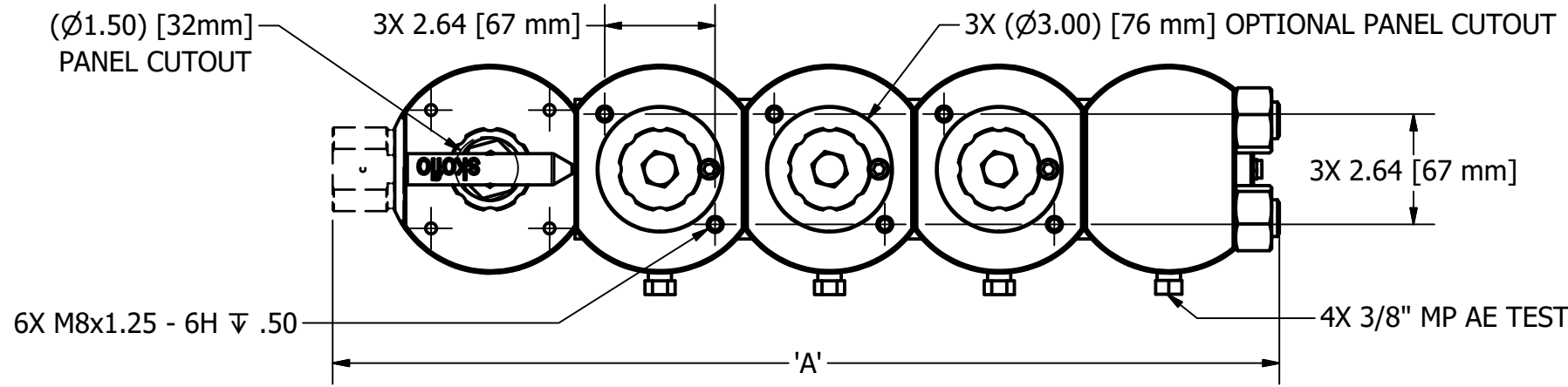


REVISION HISTORY

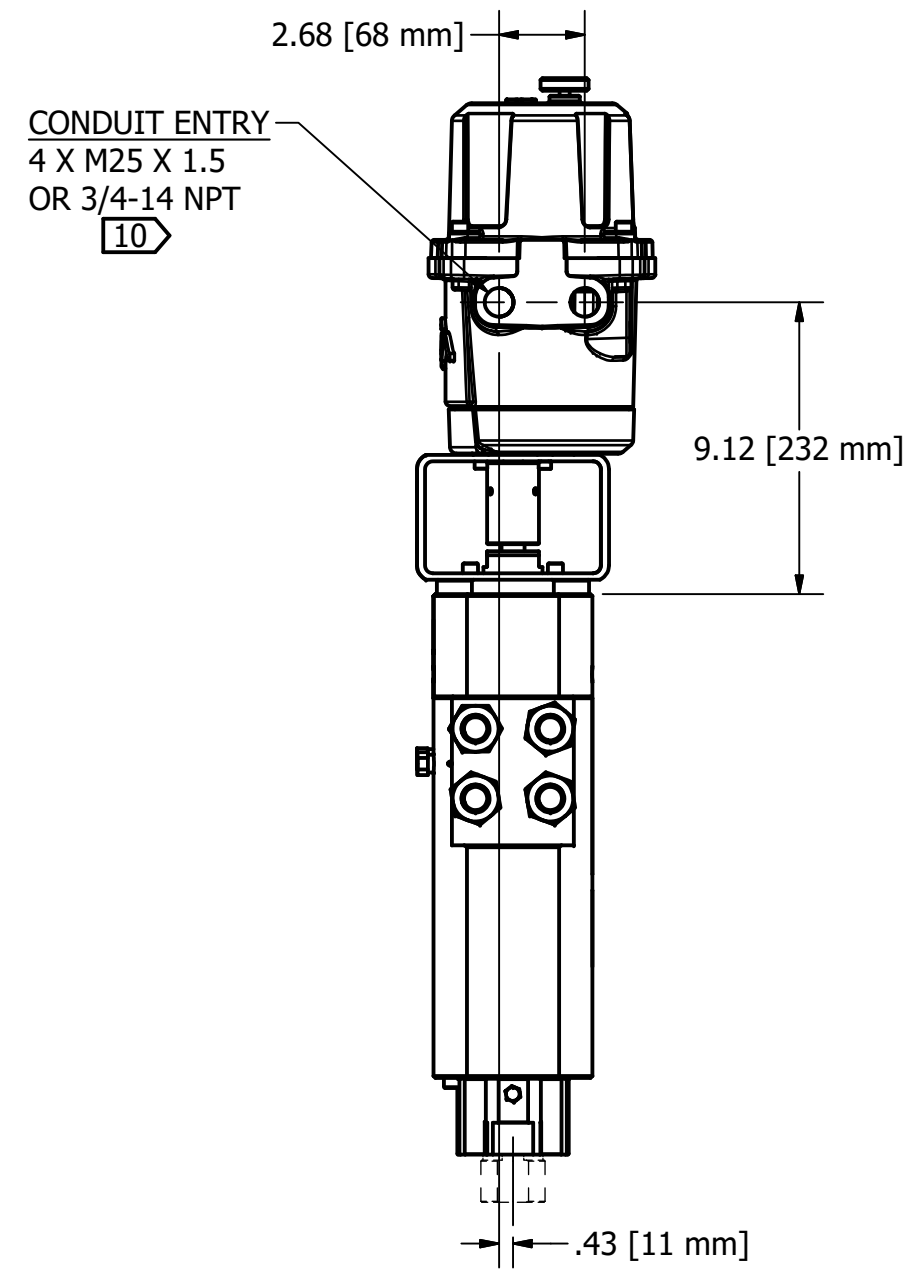
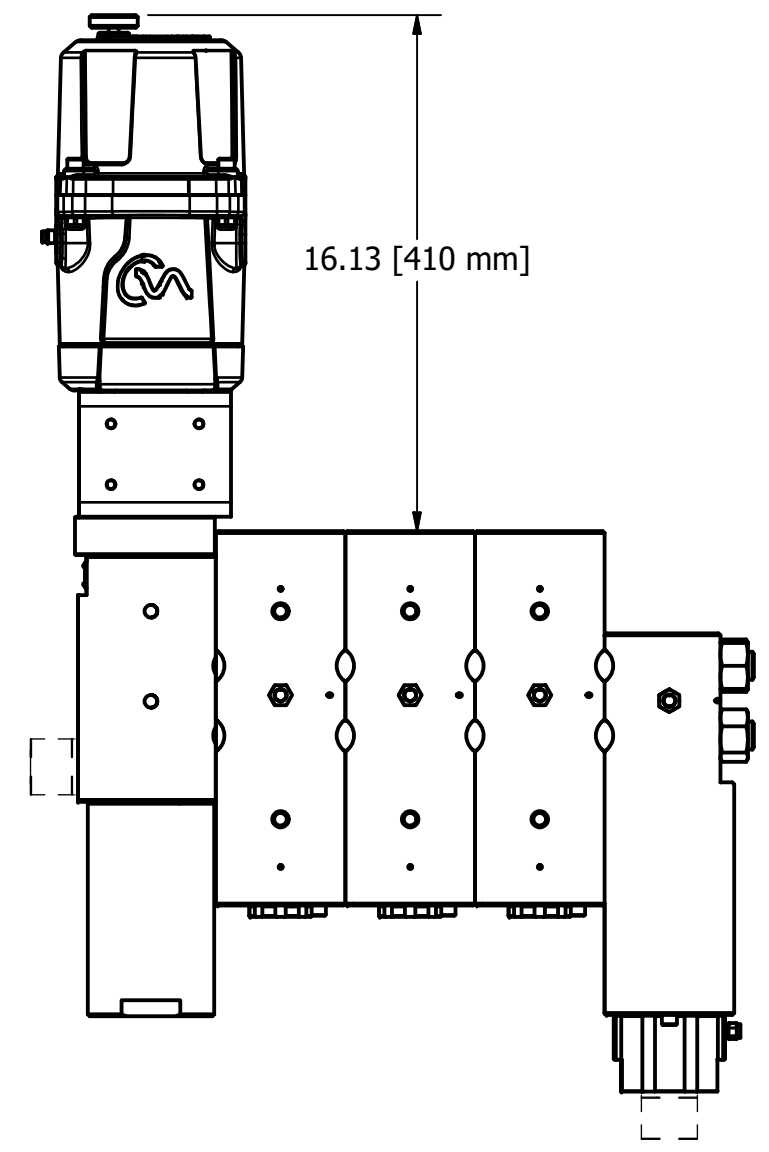
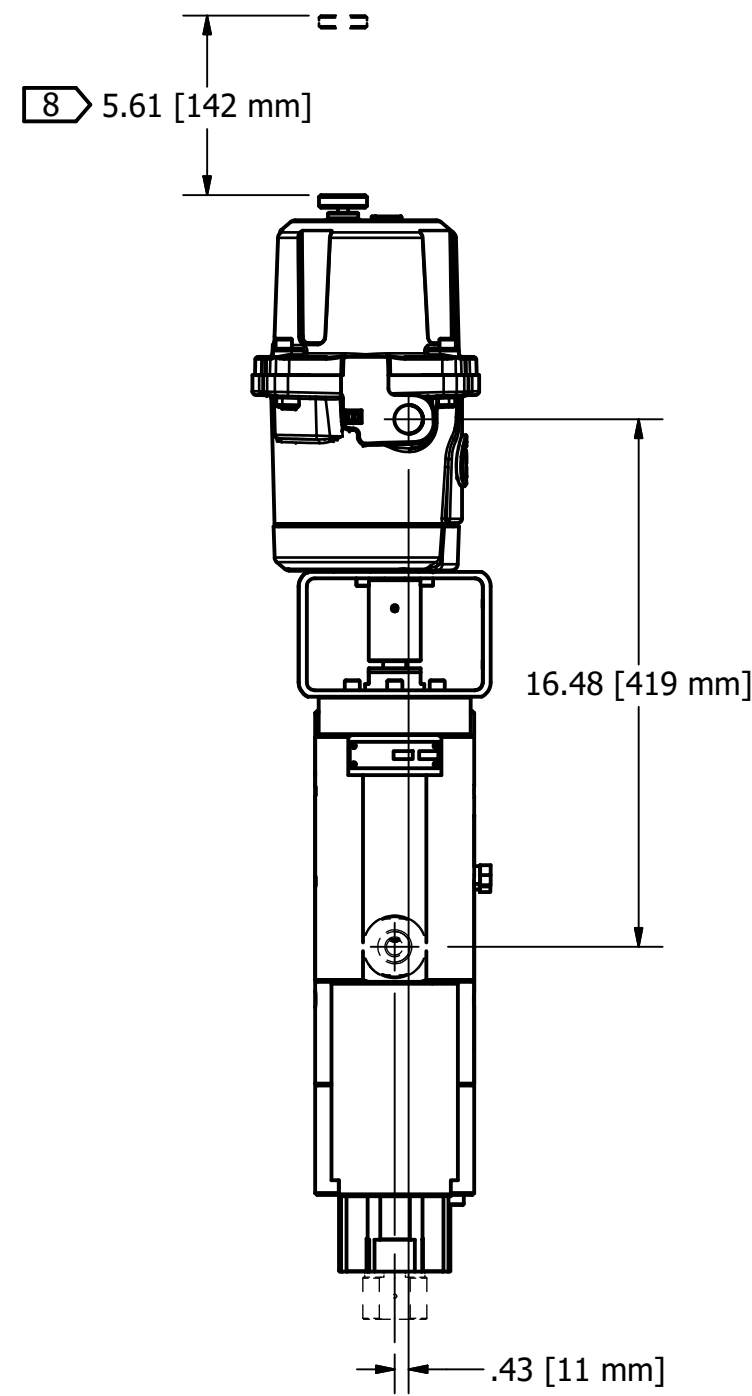
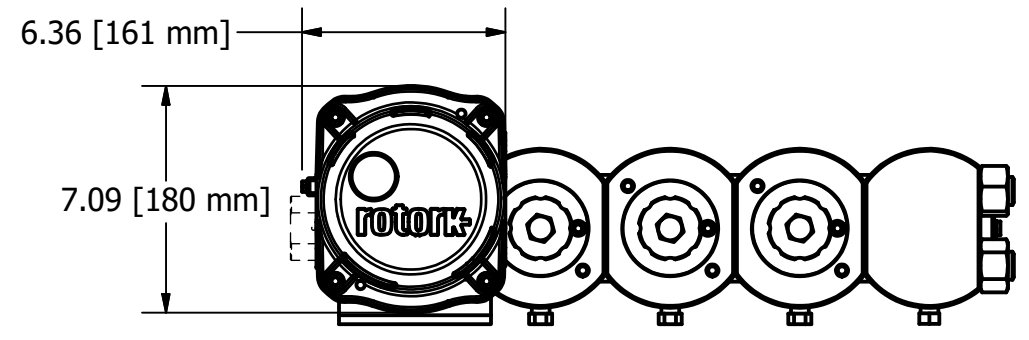
ECO #	REV	DESCRIPTION	DATE	DRAWN	ENG1	ENG2	OTHER
	A	INITIAL RELEASE	6/11/18	ENN	SS	JM	
	B	ON SHT 1, ADDED THREADED HOLE CALLOUT, ADD FLOW RANGE IN LPM; ON SHT 2, CORRECT DIMS B-D IN TABLE;	8/23/2019	EF	JM	JCD	
	C	ADD FKO FITTING OPTION	7/30/19	CA	JM	NA	
2788	D	COMBINED GA AND BOM, ADDED SHT FOR ACTUATOR INFORMATION	9/3/19	PTS	JM	CA	
2860	E	ON SHT 4 SEPARATED AC VOLTAGES IN CONFIGURATIONS, ON SHT 5 ADDED ITEM 13 ACTUATOR FASTENERS	11/15/19	JC	CA	JM	




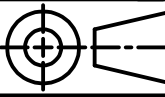
- NOTES:
- 1) RATED WORKING PRESSURE = 15000 PSI [1034 BAR]
  - 2) PROOF TEST PRESSURE = 18,500 PSI [1276 BAR]
  - 3) FLOW RATE RANGE: 0.5-15 GPM [2.3-68 LPM]
  - 4) BPR15000MFC-XXXX-XXXX-MA SHOWN
  - 5) MANUAL NOMINAL WEIGHT: 300 LB [136KG]
  - 6 VALVE IN CLOSED POSITION
  - 7 MALE FKO TUBE STUB, Ø3/4" X .134 WALL, SHIPPED UNCONNECTED FROM VALVE

HUB TYPE	'A' (in.) [mm]	'B' (in.) [mm]	'C' (in.) [mm]	'D' (in.) [mm]
75FK	25.38 [645]	6.54 [166]	22.61 [574]	21.73 [552]
75MP	23.00 [584]	3.76 [96]	19.96 [507]	19.00 [483]
MPIH	24.00 [610]	5.55 [141]	21.75 [552]	20.79 [528]
1GR5	22.60 [574]	3.76 [96]	19.96 [507]	19.00 [483]
1GR7	24.98 [635]	6.14 [156]	22.34 [567]	21.38 [543]
2GR16	23.88 [606]	5.04 [128]	21.24 [539]	20.27 [515]

ALL DIMENSIONS IN INCHES UNLESS OTHERWISE SPECIFIED	DRAWN E. NGUJEDE 6/4/2018		SKOFLO INDUSTRIES, INC. WOODINVILLE, WA
DRAWING PER ANSI Y14.5M-2009	ENG1 J. MOORE ENG2 S.SPAAH OTHER		
FRACTIONS ± 1/16 .X ± .03 .XX ± .010 .XXX ± .005 .XXXX ± .0005 ANGULAR ± 3°	UNLESS SPECIFIED DEBURR & BREAK EDGES: .015/.005 Ra SURF QUAL: 63 FILLET: R.020/.008 DRILL POINT: 110-150°	VALVE ASSEMBLY, BPR15000MFC	
THIS DOCUMENT CONTAINS INFORMATION WHICH IS PROPRIETARY TO SKOFLO INDUSTRIES INC. THE INFORMATION CONTAINED HEREIN SHALL NOT BE DISCLOSED, DUPLICATED, USED IN WHOLE OR IN PART FOR ANY PURPOSE OTHER THAN TO EVALUATE THIS DOCUMENT		MANUAL ENVELOPE DRAWING BPR15000MFC	SHEET 1 OF 5
SIZE B	SCALE NONE		



NOTES CONTINUED:  
 8 COVER REMOVAL ALLOWANCE  
 9) ACTUATED NOMINAL WEIGHT = 307 lbs. [139.3 KG]  
 10 3/4"-14 NPT CONDUIT ENTRIES FOR FM CONFIGURATION (SEE SHEET 4), ALL OTHERS M20x1.5

ALL DIMENSIONS IN INCHES UNLESS OTHERWISE SPECIFIED		DRAWN E. NGUJEDE 6/4/2018	 SKOFLO INDUSTRIES, INC. WOODINVILLE, WA
DRAWING PER ANSI Y14.5M-2009		ENG1 J. MOORE ENG2 S.SPAHI OTHER	
FRACTIONS ± 1/16 .X ± .03 .XX ± .010 .XXX ± .005 .XXXX ± .0005 ANGULAR ± 3°	UNLESS SPECIFIED DEBURR & BREAK EDGES: .015/.005 Ra SURF QUAL: 63 FILLETS: R.020/.008 DRILL POINT: 110-150°	THIS DOCUMENT CONTAINS INFORMATION WHICH IS PROPRIETARY TO SKOFLO INDUSTRIES, INC. THE INFORMATION CONTAINED HEREIN SHALL NOT BE DISCLOSED, DUPLICATED, USED IN WHOLE OR IN PART FOR ANY PURPOSE OTHER THAN TO EVALUATE THIS DOCUMENT	
		DWG NO BPR15000MFC	VALVE ASSEMBLY, BPR15000MFC  ACTUATED ENVELOPE DRAWING REV E
		SIZE B	SCALE NONE
		SHEET 2 OF 5	

8 7 6 5 4 3 2

D

D

C

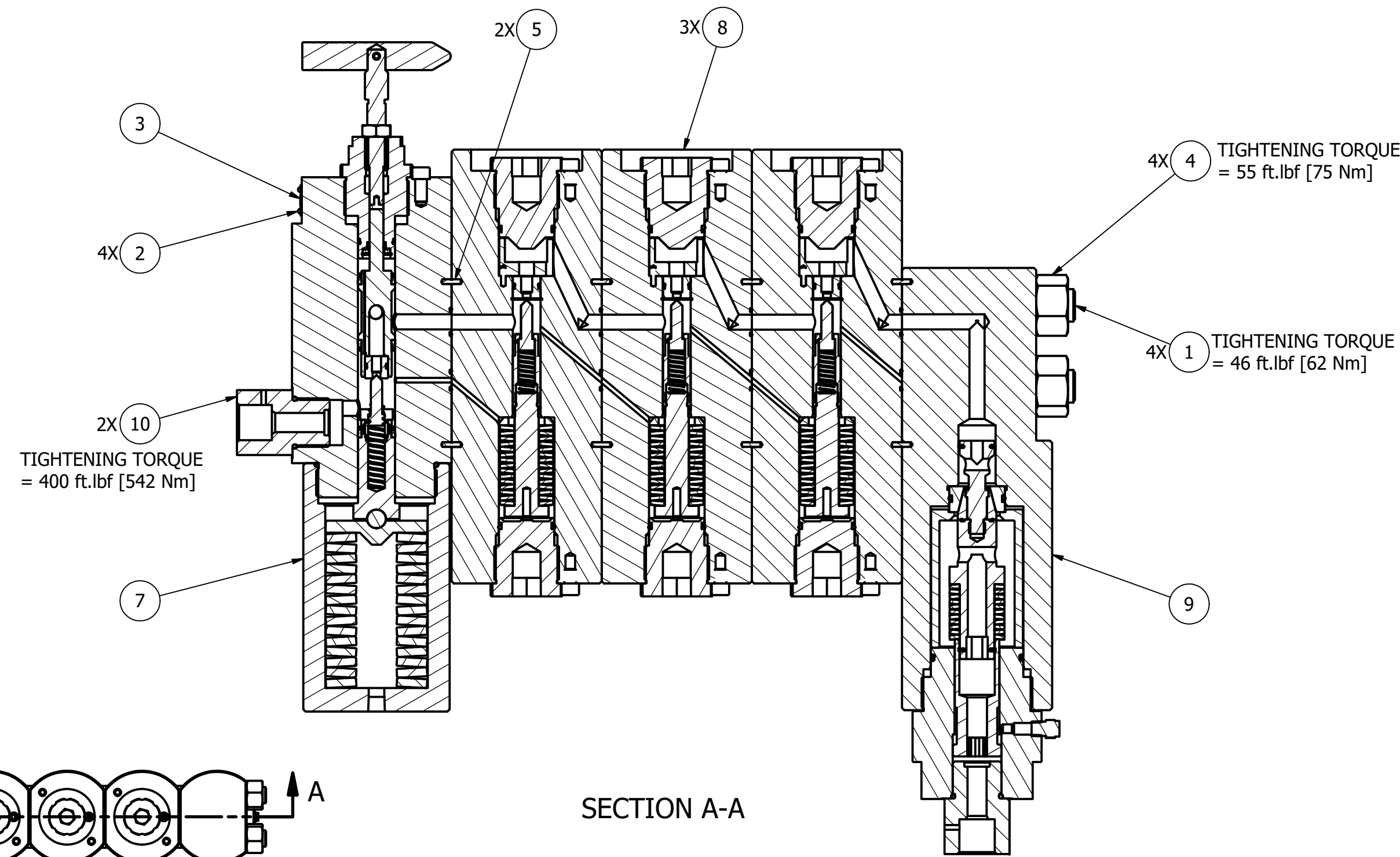
C

B

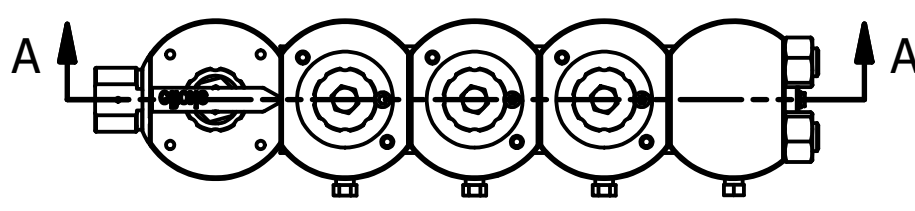
B

A

A


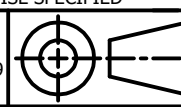


SECTION A-A



NOTES CONTINUED:

- 11 COAT ALL THREADS WITH DYNATEX ANTI-SEIZE AND LUBRICATING COMPOUND (OR SIMILAR) UNLESS OTHERWISE STATED
- 12) LUBRICATE ALL SEALS WITH PARKER SLUBE 884-X (OR SIMILAR)
- 13) SEE BPR MF-SK FOR SPARES KITS PARTS LISTS

ALL DIMENSIONS IN INCHES UNLESS OTHERWISE SPECIFIED		DRAWN E. NGUJEDE 6/4/2018	 SKOFLO INDUSTRIES, INC. WOODINVILLE, WA
DRAWING PER ANSI Y14.5M-2009		ENG1 J. MOORE ENG2 S.SPAHI OTHER	
FRACTIONS ± 1/16 .X ± .03 .XX ± .010 .XXX ± .005 .XXXX ± .0005 ANGULAR ± 3°	UNLESS SPECIFIED DEBURR & BREAK EDGES: .015/.005 Ra SURF QUAL: 63 FILLETS: R.020/.008 DRILL POINT: 110-150°	THIS DOCUMENT CONTAINS INFORMATION WHICH IS PROPRIETARY TO SKOFLO INDUSTRIES INC. THE INFORMATION CONTAINED HEREIN SHALL NOT BE DISCLOSED, DUPLICATED, USED IN WHOLE OR IN PART FOR ANY PURPOSE OTHER THAN TO EVALUATE THIS DOCUMENT	
		DWG NO BPR15000MFC	VALVE ASSEMBLY, BPR15000MFC  MANUAL BOM DRAWING
		SIZE B	SCALE NONE
		SHEET 3 OF 5	

8 7 6 5 4 3 2 1

PARTS LIST

ITEM	QTY	PART NUMBER	DESCRIPTION	MATERIAL	PRESSURE CONTAINING
1	4	20620	TIE ROD, BPR15000MFC	NITRONIC 50 HS	YES
2	4	71002116	U-DRIVE SCREW, RH, #2X1/4	302 SS	NO
3	1	71002143	NAMEPLATE	316L SS	NO
4	4	71002789	HEAVY HEX NUT, 7/8-9 UNC, COATED	316 SS	YES
5	2	71003528	DWL, 1/8 X 3/8	316L SS	NO
6	2	71004205	EYEBOLT LIFTING , M12-1.75 X 21 mm THREAD LENGTH AND 30mm EYE	304 SS	NO
7	1	SEE TABLE 1	ASSY, BPR, MF, PRIMARY STAGE	SEE DWG	YES
8	3	SEE TABLE 1	ASSY, BPR, MF, SECOND STAGE	SEE DWG	YES
9	1	SEE TABLE 1	ASSY, BPR, MF, CHECK STAGE	SEE DWG	YES
10	2	SEE TABLE 2	ADAPTER HUB	SEE TABLE 2	YES

**MANUAL CONFIGURATION NUMBER GUIDE**

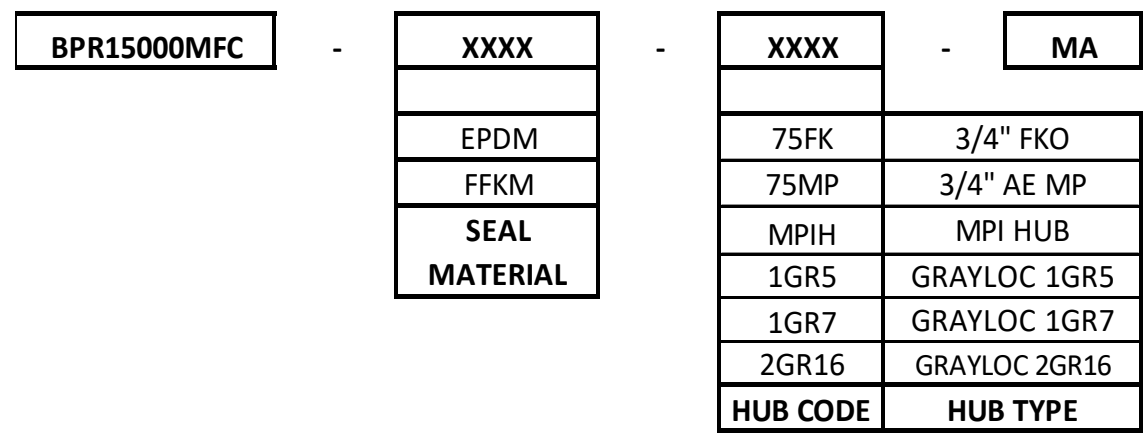


TABLE: 1 SEAL SELECTION

ITEM	EPDM	FFKM
7	20742-001	20742-002
8	20743-001	20743-002
9	29219-001	29219-002

TABLE 2: HUB SELECTION

ITEM	75FK	75MP	MPIH	1GR5	1GR7	2GR16
10	31046	20531	26465	71005634	28424	71007323
MATERIAL	SUPER DUPLEX 2507	NITRONIC 50 HS	NITRONIC 50 HS	NITRONIC 50 HS	SUPER DUPLEX 55	SUPER DUPLEX 55

ALL DIMENSIONS IN INCHES UNLESS OTHERWISE SPECIFIED	DRAWN <b>E. NGUJEDE</b> 6/4/2018		SKOFLO INDUSTRIES, INC. WOODINVILLE, WA
DRAWING PER ANSI Y14.5M-2009	ENG1 <b>J. MOORE</b> ENG2 <b>S.SPAHI</b> OTHER		VALVE ASSEMBLY, BPR15000MFC
FRACTIONS ± 1/16 .X ± .03 .XX ± .010 .XXX ± .005 .XXXX ± .0005 ANGULAR ±3°	UNLESS SPECIFIED DEBURR & BREAK EDGES: .015/.005 Ra SURF QUAL: 63 FILLETS: R.020/.008 DRILL POINT: 110-150°	MANUAL BOM	THIS DOCUMENT CONTAINS INFORMATION WHICH IS PROPRIETARY TO SKOFLO INDUSTRIES INC. THE INFORMATION CONTAINED HEREIN SHALL NOT BE DISCLOSED, DUPLICATED, USED IN WHOLE OR IN PART FOR ANY PURPOSE OTHER THAN TO EVALUATE THIS DOCUMENT
		DWG NO <b>BPR15000MFC</b>	REV <b>E</b>
		SIZE <b>B</b> SCALE <b>NONE</b>	SHEET <b>4</b> OF <b>5</b>

ACTUATED CONFIGURATION NUMBER GUIDE

BPR15000MFC

XXXX
EPDM
FFKM
SEAL MATERIAL

XXXX	
75FK	3/4" FKO
75MP	3/4" AE MP
MPIH	MPI HUB
1GR5	GRAYLOC 1GR5
1GR7	GRAYLOC 1GR7
2GR16	GRAYLOC 2GR16
HUB CODE	HUB TYPE

AT

XX	
120	120 VAC
208	208 VAC
230	230 VAC
DC	24 VDC
VOLTAGE CODE	VOLTAGE

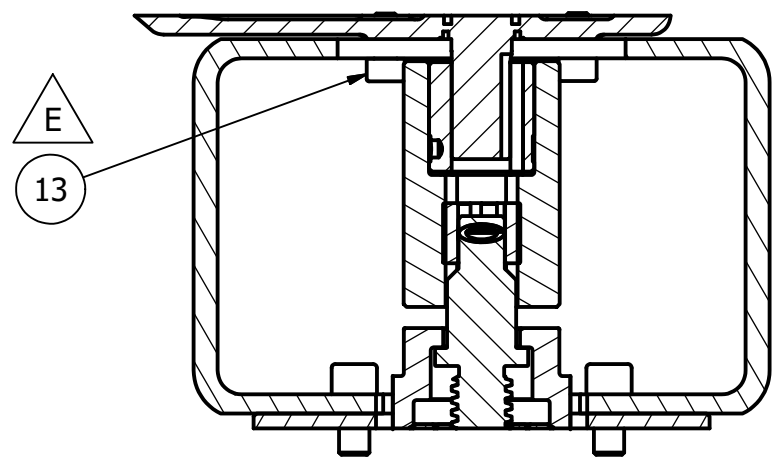
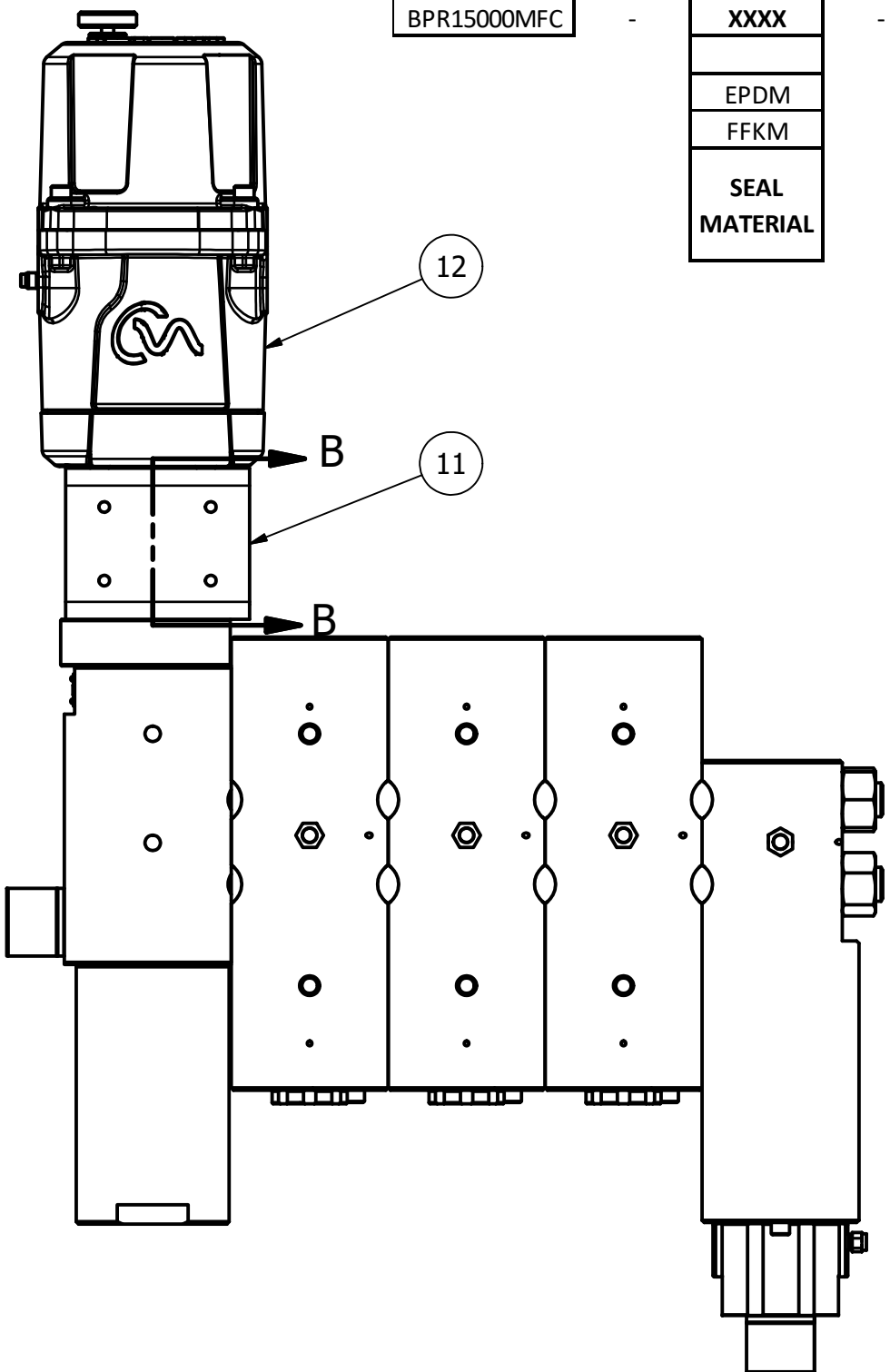
X	
4	4-20ma
F	FIELD BUS
H	HART
PROTOCOL CODE	COM. PROTOCOL

XX	
AX	ATEX
EX	IECEX
NA	FM
GO	GOST
CODE	HAZLOC CERTIFICATION



TABLE: 3 SEAL SELECTION

ITEM	EPDM	FFKM
11	30932-001	30932-002



SECTION B-B

NOTES CONTINUED:  
14) ITEM 7 IS NOT REQUIRED FOR ACTUATED CONFIGURATION

PARTS LIST CONTINUED

ITEM	QTY	PART NUMBER	DESCRIPTION	MATERIAL	PRESSURE CONTAINING
11	1	SEE TABLE 3	ASSY, BPR, MF, PRIMARY STAGE, ACTUATOR	SEE DWG 30932	YES
12	1	SEE DWG 71007126	ACTUATOR, ROTARY, CMR-200	SEE DWG 71007126	NO
13	4	71007246	SHCS, M6X1 X 12LG	316 SS	NO

ALL DIMENSIONS IN INCHES UNLESS OTHERWISE SPECIFIED	DRAWN E. NGUJEDE 6/4/2018	SKOFLO INDUSTRIES, INC. WOODINVILLE, WA
DRAWING PER ANSI Y14.5M-2009	ENG1 J. MOORE ENG2 S.SPAHI OTHER	
FRACTIONS ± 1/16 .X ± .03 .XX ± .010 .XXX ± .005 .XXXX ± .0005 ANGULAR ± 3°	UNLESS SPECIFIED DEBURR & BREAK EDGES: .015/.005 Ra SURF QUAL: 63 FILLETS: R.020/.008 DRILL POINT: 110-150°	THIS DOCUMENT CONTAINS INFORMATION WHICH IS PROPRIETARY TO SKOFLO INDUSTRIES INC. THE INFORMATION CONTAINED HEREIN SHALL NOT BE DISCLOSED, DUPLICATED, USED IN WHOLE OR IN PART FOR ANY PURPOSE OTHER THAN TO EVALUATE THIS DOCUMENT
DWG NO BPR15000MFC		VALVE ASSEMBLY, BPR15000MFC  ACTUATED BOM BPR15000MFC
SIZE B	SCALE NONE	SHEET 5 OF 5