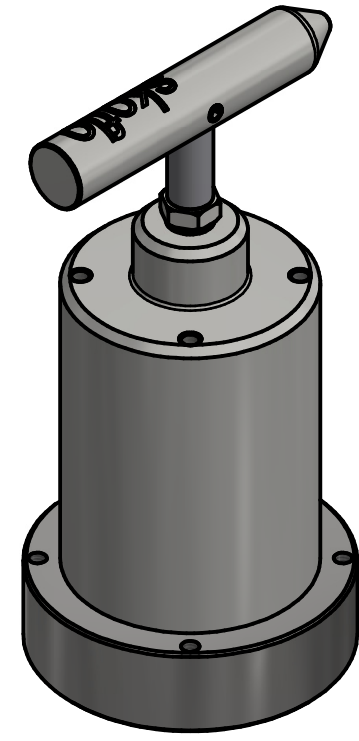
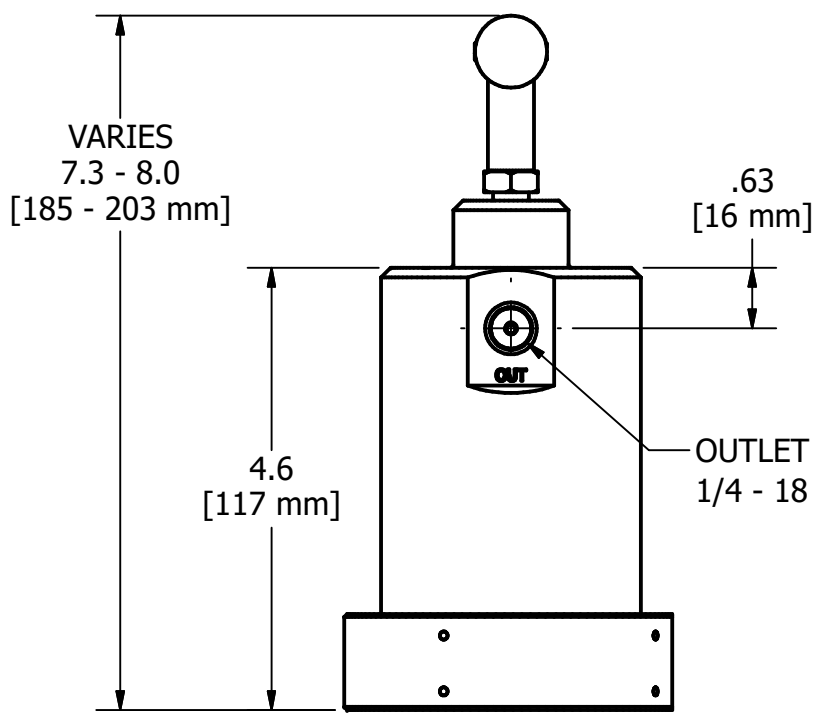
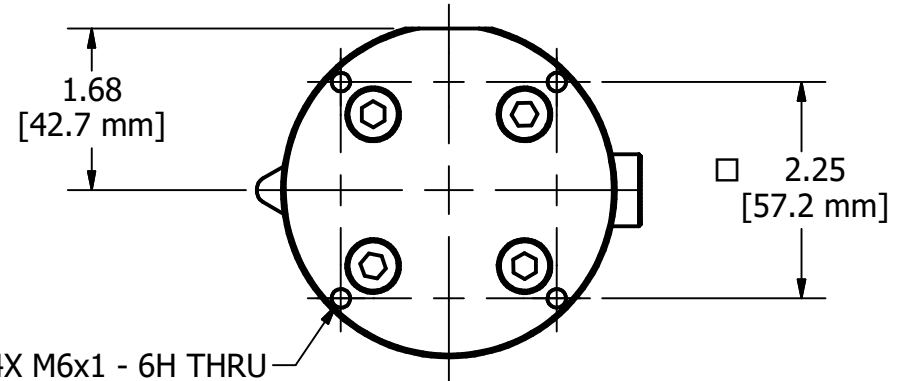
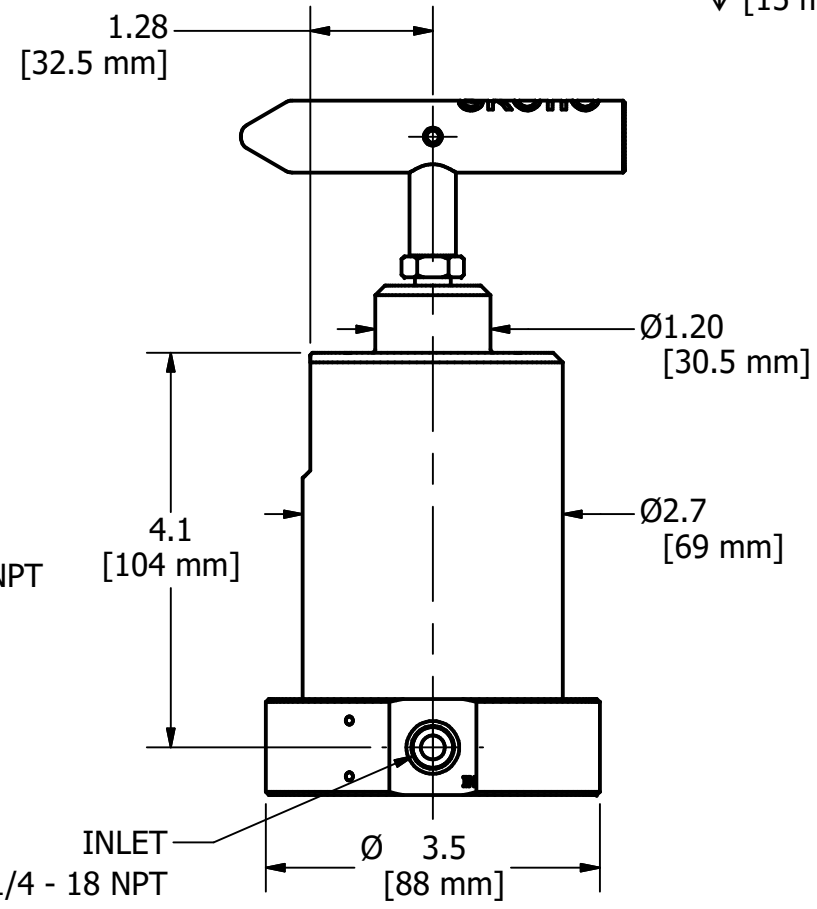
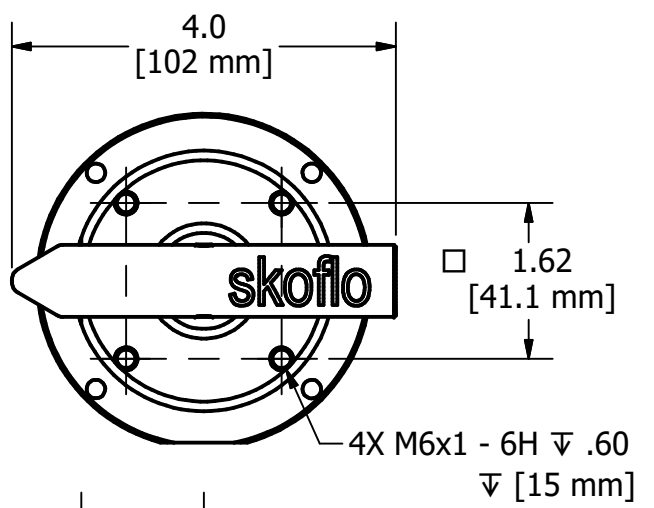


REVISION HISTORY							
ECN #	REV	DESCRIPTION	DATE	DRAWN	ENG1	ENG2	OTHER
	A	INITIAL RELEASE	2/22/2019	NA	JM	JCD	
2779	B	ITEM 19 MATERIAL CHANGED, BALLOONS REORGANIZED, CONFIGURATION NUMBER GUIDE LABELS ADDED	9/6/2019	CA	NA	JM	
2942	C	UPDATE WITH INTERNAL UPDATE	6/12/20	CA	NA	JM	



CONFIGURATION NUMBER GUIDE

SF5000C	-	XXXX	-	XXXX
		2		FKMLT
		10		EPDM
		50		FFKM
		200		FKM
		750		FKMB
		FLOW CODE		SEAL MATERIAL
				HNBR

- NOTES:
- 1) NOMINAL WEIGHT = 9 lb [4.1 kg]
 - 2) RATED WORKING PRESSURE = 5,000 psi [345 bar]
 - 3) PROOF TEST PRESSURE = 7,500 psi [517 bar]
 - 4) FLOW RATE OPTIONS SEE TABLE 2

ALL DIMENSIONS IN INCHES UNLESS OTHERWISE SPECIFIED	DRAWN N. ALLEY 1/31/2019	SKOFLO INDUSTRIES, INC. WOODINVILLE, WA
DRAWING PER ANSI Y14.5M-2009	ENG1 J. MOORE 3/1/2019 ENG2 J. DUSCHLETTA 3/4/2019 OTHER	
FRACTIONS ± 1/16 X ± .03 .XX ± .010 .XXY ± .005 .XXX ± .0005 ANGULAR ± 3°	UNLESS SPECIFIED DEBURR & BREAK EDGES: .015/.005 Ra SURF. QUAL: 63 FILLETS: R.020/.008 DRILL POINT: 110-150°	THIS DOCUMENT CONTAINS INFORMATION WHICH IS PROPRIETARY TO SKOFLO INDUSTRIES INC. THE INFORMATION CONTAINED HEREIN SHALL NOT BE DISCLOSED, DUPLICATED, USED IN WHOLE OR IN PART FOR ANY PURPOSE OTHER THAN TO EVALUATE THIS DOCUMENT
DWG NO SF5000C		REV C
SIZE B	SCALE NONE	SHEET 1 OF 2

PARTS LIST				
ITEM	QTY	PART NUMBER	DESCRIPTION	MATERIAL
1	1	20006	PIN, CERAMIC, .097	CERAMIC - PROPRIETARY
2	1	20092	BASE, SF5000C	316L SS
3	1	20093	BODY, SF5000C	316 SS
4	1	20096	BUSHING, THREADED (3/8 X 1/2)	AI-NI-BRZ
5	1	20101	HOLDER, PIN, SF5000C	316L SS
6	1	22108	WASHER SPRING SET, SF5000C	316 SS
7	1	22209	HANDLE, ASSY, COMPLETE, SF5000	ASSY
8	1	71001872	SL, CUP, Ø1.50 OD X Ø1.25 ID	ASSY
9	1	71001887	SL, BU RING, -008, SCARF CUT	PTFE
10	1	71001891	SL, BU RING, -010, SCARF CUT	PTFE
11	1	71001910	SL, BU RING, -028, SCARF CUT	PTFE
12	1	71002068	SPRING, COIL, Ø.183 X 1.24, PIN SF5000C	316 SS
13	4	71002093	SHCS, M8-1.25 X 30	A4-70
14	4	71002116	U-DRIVE SCREW, RH, #2X1/4	302 SS
15	1	71002141	NAMEPLATE (SF5000/ BPR5000)	316L SS
16	1	SEE TABLE 1	SEAL KIT, SF5000C, O-RING, -008	SEE TABLE 1
17	1	SEE TABLE 1	SEAL KIT, SF5000C, O-RING, -010	SEE TABLE 1
18	1	SEE TABLE 1	SEAL KIT, SF5000C, O-RING, -028	SEE TABLE 1
19	1	SEE TABLE 2	SEAT HOLDER ASSY, SEAT HOLDER	NITRONIC 50 HS
20	1	SEE TABLE 2	SEAT HOLDER ASSY, SEAT (NOT SOLD SEPARATELY)	CERAMIC - PROPRIETARY
21	1	SEE TABLE 2	SEAT HOLDER ASSY, O-RING, SEAT (NOT SOLD SEPARATELY)	FFKM
22	1	SEE TABLE 2	PISTON ASSY, SF5000C & ORIFICE SELECTION	316 SS

CONFIGURATION NUMBER GUIDE

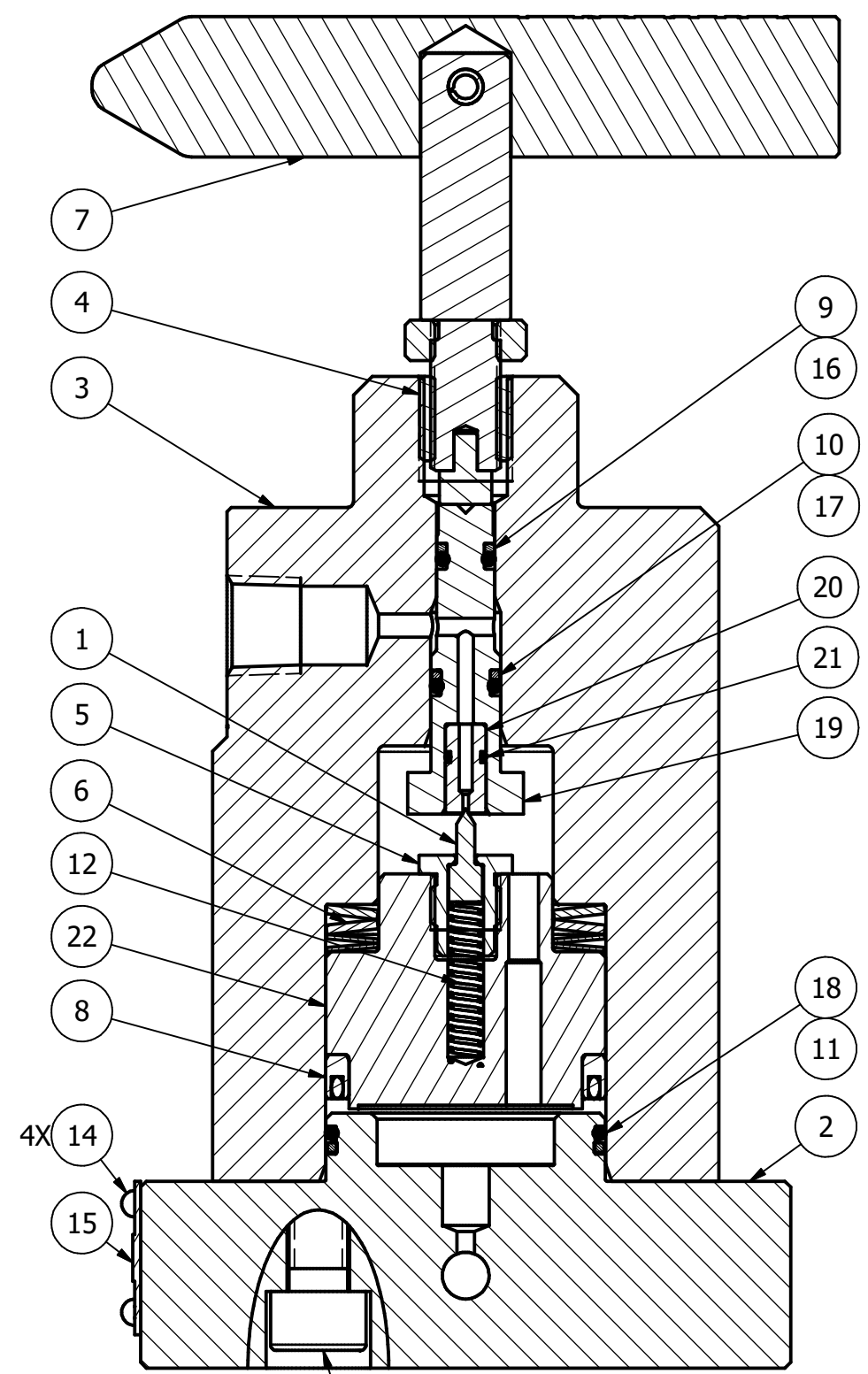
SF5000C	XXXX	XXXX
	2	FKMLT
	10	EPDM
	50	FFKM
	200	FKM
	750	FKMB
FLOW CODE	HNBR	SEAL MATERIAL

TABLE 1: O-RING COMPOUND SELECTION AND SEAL KIT

ITEM	QTY	20357 FKMLT	22068 EPDM	22069 FFKM	22070 FKM	22283 FKMB	22284 HNBR	DESCRIPTION
8	1	71001872						SL, CUP, PISTON
9	1	71001887						SL, BU RING, -008
10	1	71001891						SL, BU RING, -010
11	1	71001910						SL, BU RING, -028
16	1	71006806	71001729	71001732	71001730	71004916	71004919	SL, ORING, 2-008
17	1	71006807	71001738	71006901	71001739	71004917	71004920	SL, ORING, 2-010
18	1	71006808	71001782	71001785	71001783	71004918	71004921	SL, ORING, 2-028


TABLE 2: PISTON AND SEAT HOLDER ASSYS

MAX FLOW RATE (GPD)	ITEM 22 (PISTON ASSY)	SEAT HOLDER ASSY
2	21919	22001
10	21931	
50	21970	
200	21981	22004
750	21989	



4X (13) TIGHTENING TORQUE = 15 ft.lbf [20 Nm]

- NOTES CONTINUED:
- 5) COAT ALL THREADS WITH DYNATEX ANTI-SEIZE & LUBRICATING COMPOUND (OR SIMILAR) UNLESS OTHERWISE STATED
 - 6) LUBRICATE ALL SEALS WITH PARKER SLUBE 884-4 (OR SIMILAR)
 - 7) INDIVIDUAL COMPONENTS OF SEAL KITS, SEAT HOLDER ASSEMBLIES, AND PISTON ASSEMBLIES NOT SOLD SEPARATELY

ALL DIMENSIONS IN INCHES UNLESS OTHERWISE SPECIFIED	DRAWN N. ALLEY 1/31/2019	 SKOFLO INDUSTRIES, INC. WOODINVILLE, WA
DRAWING PER ANSI Y14.5M-2009	ENG1 J. MOORE 3/1/2019 ENG2 J. DUSCHLETTA 3/4/2019 OTHER	
FRACTIONS ± 1/16 X ± .03 .XX ± .010 .XXX ± .005 .XXX ± .0005 ANGULAR ± 3°	UNLESS SPECIFIED DEBURR & BREAK EDGES: 0.15/005 Ra SURF. QUAL: 63 FILLETS: R.025/008 DRILL POINT: 110-150°	THIS DOCUMENT CONTAINS INFORMATION WHICH IS PROPRIETARY TO SKOFLO INDUSTRIES INC. THE INFORMATION CONTAINED HEREIN SHALL NOT BE DISCLOSED, DUPLICATED, USED IN WHOLE OR IN PART FOR ANY PURPOSE OTHER THAN TO EVALUATE THIS DOCUMENT
CIMV, SURFACE, SF5000C BOM DRAWING SF5000C		DWG NO SF5000C SCALE NONE SHEET 2 OF 2