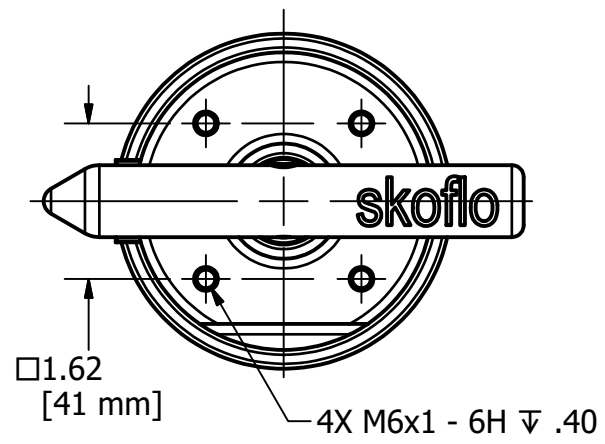
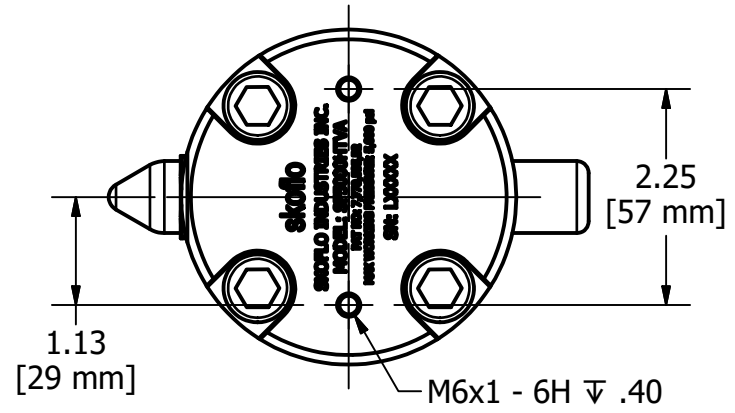
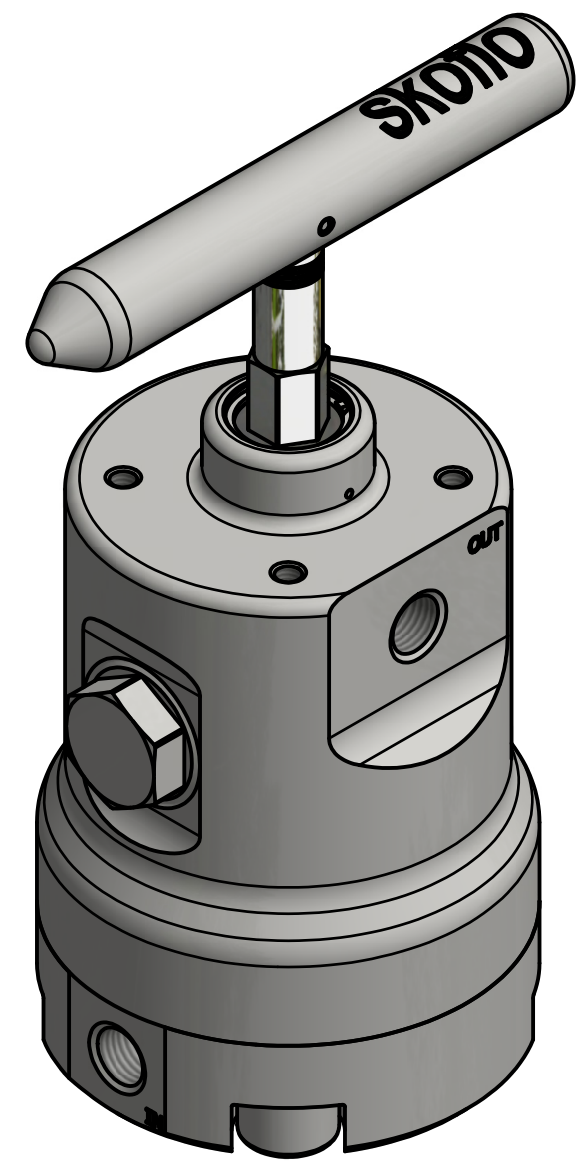
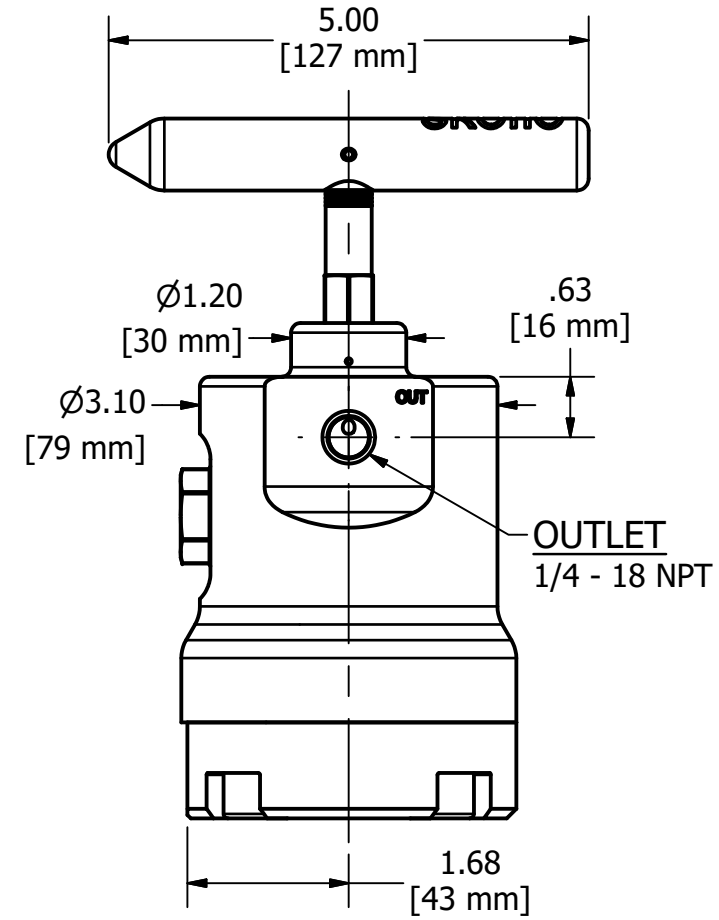
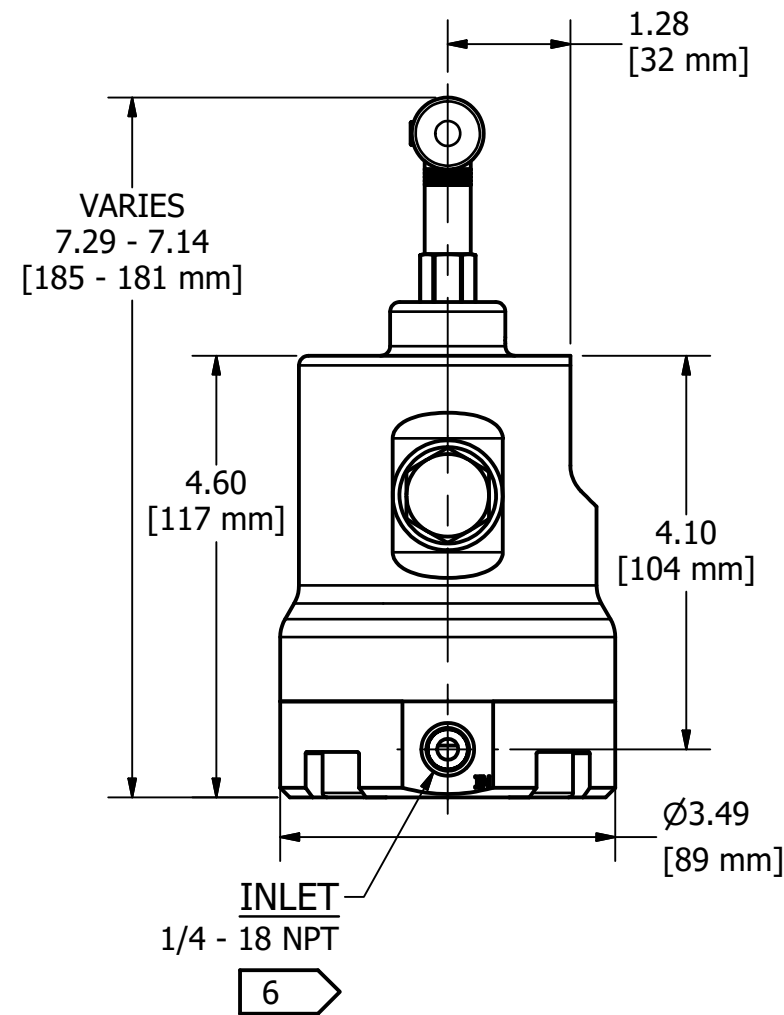


**CONFIGURATION NUMBER GUIDE**

<b>SF5000HTVA</b>	<b>XXXX</b>	<b>XXXX</b>	<b>XX</b>	<b>XX</b>
0.6-700gpd	<b>700D</b>	FFKM	A4	<b>MA</b>
50-2500gpd	<b>2500D</b>	FKM	SD	<b>RVO</b>
<b>FLOW RANGE</b>	<b>FLOW CODE</b>	EPDM	FASTENER CODE	<b>SF3</b>
		<b>SEAL MATERIAL</b>	<b>FASTENER MATERIAL</b>	<b>ACTUATION CODE</b>
				<b>ACTUATION TYPE</b>
				<b>M</b>

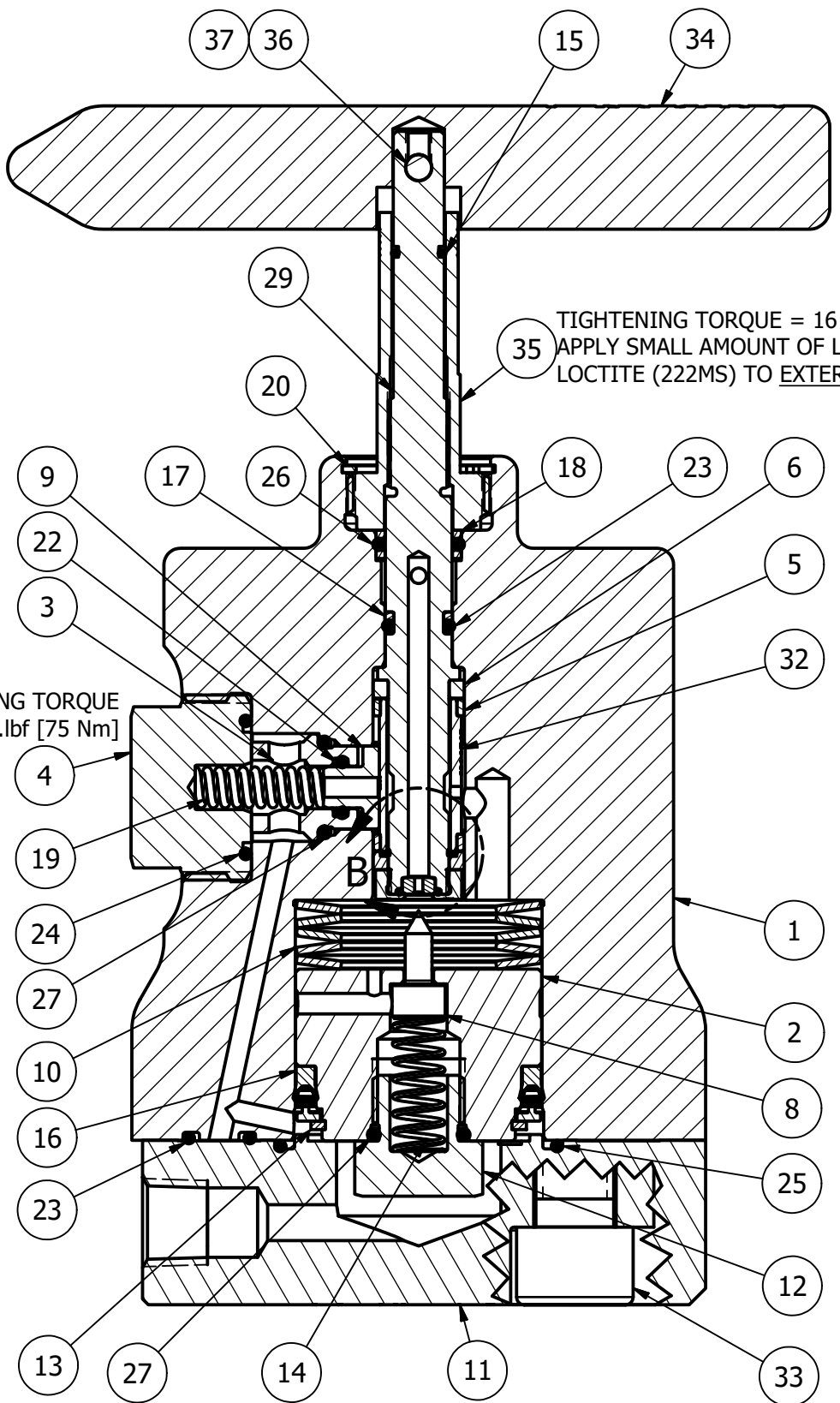


REVISION HISTORY							
ECN #	REV	DESCRIPTION	DATE	DRAWN	ENG1	ENG2	OTHER
	A	INITIAL RELEASE	7/19/18	JM	SS	JCD	
2590	B	PART 30842 WAS 30470	8/22/18	JM	NA	SS	
2606	C	GATE PAD TORQUE WAS 34 FT.LBF	10/4/18	JM	SS	NA	
2610	D	71006807 WAS 71001739	10/22/18	JM	NA	SS	
2630	E	71007136 WAS 71007042	12/4/18	JM	NA	MK	
2686	F	ADD ACTUATED CONFIGURATION, ADD TABLE 3	3/28/19	JM	NA	JCD	
2705	G	SHT 2, TABLE 2: 30470 WAS 30842	5/28/19	EF	JM	NA	
2846	H	ON SHT 2 ADD LOCTITE CALLOUT FOR ITEM 5;	11/4/19	PTS	JM	JC	
2942	L	ADD SD FASTENER OPTION, UPDATE CONFIGURATION NUMBER, ADD TABLE 3, UPDATE TABLE 4, RENUMBER ITEMS, ADD PC COLUMN	5/6/20	JM	CA	NA	
3066	M	REMOVE AT (ROTORK) OPTION; ADD RV (ROTORK VALVE ONLY) OPTION AND SV (SKOFLO VALVE ONLY) OPTION	7/7/20	EF	CA	NA	



- NOTES:**
- 1) NOMINAL WEIGHT = 11.3 lb [5.1 kg]
  - 2) RATED WORKING PRESSURE = 5,000 psi [345 bar]
  - 3) PROOF TEST PRESSURE = 7,500 psi [517 bar]
  - 4) FLOW RATE RANGES:
    - a) 0.6 - 700 gpd
    - b) 50 - 2,500 gpd
  - 5) MANUAL CONFIGURATION SHOWN
- 6** ORIENTATION CAN BE ADJUSTED IN 90° INCREMENTS

ALL DIMENSIONS IN INCHES UNLESS OTHERWISE SPECIFIED	DRAWN J.MOORE 7/20/2018	SKOFLO INDUSTRIES, INC. WOODINVILLE, WA
DRAWING PER ANSI Y14.5M-2009	ENG1 S.SPAHI 7/20/2018 ENG2 J.DUSCHLETTA 7/20/2018 OTHER	
FRACTIONS ± 1/16 X ± .03 .XX ± .010 .XXX ± .005 .XXXX ± .0005 ANGULAR ± 3°	UNLESS SPECIFIED DEBURR & BREAK EDGES: R15/005 Ra SURF. QUAL: 63 FILLETS: R.020/008 DRILL POINT: 110-150°	THIS DOCUMENT CONTAINS INFORMATION WHICH IS PROPRIETARY TO SKOFLO INDUSTRIES INC. THE INFORMATION CONTAINED HEREIN SHALL NOT BE DISCLOSED, DUPLICATED, USED IN WHOLE OR IN PART FOR ANY PURPOSE OTHER THAN TO EVALUATE THIS DOCUMENT
	DWG NO SF5000HTVA-MA	REV M
	SIZE B	SCALE NONE
		SHEET 1 OF 2



**SECTION VIEW**  
(SF5000HTVA-700D-XXXX-XX-MA SHOWN)

TIGHTENING TORQUE = 16 ft.lbf [22 Nm]  
APPLY SMALL AMOUNT OF LOW STRENGTH  
LOCTITE (222MS) TO EXTERNAL BUSHING THREAD

TIGHTENING TORQUE = 55 ft.lbf [75 Nm]

TIGHTENING TORQUE = 34 ft.lbf [46 Nm]

**TABLE 1: O-RING COMPOUND SELECTION**

ITEM	FFKM	FKM	EPDM	DESCRIPTION
22	71006901	71006807	71001738	SL, O-RING, 2-010
23	71001744	71006921	71006952	SL, O-RING, 2-011
24	71001769	71006961	71001766	SL, O-RING, 2-018
25	71005574	71006926	71005377	SL, O-RING, 2-030
26	71006915	71006918	71006917	SL, O-RING, 2-905
27	71001820	71002333	71006912	SL, O-RING, 3-906
28	71006953	71006922	71006954	SL, O-RING, M5 X 1

**TABLE 2: FLOW RATE RANGE SELECTION**

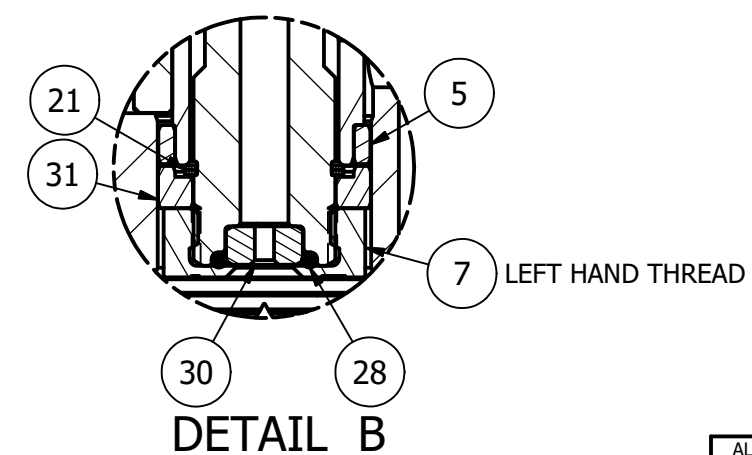
ITEM	0.6-700gpd	50-2500gpd	DESCRIPTION
29	30415	30514	STEM, SURFACE, HTV
30	30470	30516	SEAT, PILL STYLE
31	30828	30826	GUIDE RING, STEM, SURFACE HTV
32	30428	30831	GATE, COATED, SURFACE HTV

**TABLE 3: FASTENER SELECTION**

ITEM	A4-70	SUPER DUPLEX 2507
33	71006909	71007210

**TABLE 4: ACTUATION SELECTION**

ITEM	MANUAL	RV	SV	DESCRIPTION
34	30435	30944	30991	HANDLE, SURFACE HTV
35	30427	31169		BUSHING, STEM, SURFACE HTV
36	71007037	71007247		FASTENER, HANDLE
37	N/A	71007417		SHSS, M4x.07x3LG, FLAT POINT




**DETAIL B**

**PARTS LIST**

ITEM	QTY	PART NUMBER	DESCRIPTION	MATERIAL	PRESSURE CONTAINING
1	1	30413	BODY, 5KSI, SURFACE HTV	NITRONIC 50 HS	YES
2	1	30421	PISTON, SURFACE HTV	NITRONIC 50 HS	NO
3	1	30425	RETAINER, SEAL, GATE PAD, HTV	316 SS	NO
4	1	30426	PLUG, GATE PAD, SURFACE HTV	NITRONIC 50 HS	YES
5	2	30431	GUIDE RING, GATE, SURFACE HTV	PEEK	NO
6	1	30432	GUIDE RING, STEM, TOP, SURFACE HTV	PTFE	NO
7	1	30433	RETAINER, SEAT, SURFACE HTV	316 SS	NO
8	1	30471	PIN, CERAMIC, .165	ZIRCONIA 3Y-TZP	NO
9	1	30512	PAD, GATE, SURFACE HTV	ZIRCONIA 3Y-TZP	NO
10	1	30513	SPRING, WASHER, STACK 5	INCONEL 718	NO
11	1	30518	BASE, SERIALIZED, 5KSI, HTV	316 SS	YES
12	1	30841	PLUG, PISTON, SURFACE HTV	316 SS	NO
13	1	71001948	SPIRAL RING, WST-118-S16	316 SS	NO
14	1	71006907	SPRING, COIL, Ø.258 X 1.02, PISTON	ELGILOY	NO
15	1	71006956	SL, O-RING, 1.2mm CS X 6mm ID	EPDM	NO
16	1	71006962	SL, CUP, PISTON, HTD	SEE DWG 71006962	NO
17	1	71006998	SL, BU RING, .304 ID X .053W X .050T	PTFE	NO
18	2	71006999	SL, BU RING, .410 ID X .054W X .050T	PTFE	NO
19	1	71007048	SPRING, COIL, Ø.250 X 1.00, GATE PAD	ELGILOY	NO
20	1	71007136	SLRG, INTERNAL, Ø.875, FHL-94-HAS	HASTELLOY C-276	NO
21	1	71007137	SLRG, EXTERNAL, .375, WSM-37-S16	316 SS	NO
22	1	SEE TABLE 1	SL, O-RING, 2-010	SEE TABLE 1	NO
23	2	SEE TABLE 1	SL, O-RING, 2-011	SEE TABLE 1	YES
24	1	SEE TABLE 1	SL, O-RING, 2-018	SEE TABLE 1	YES
25	1	SEE TABLE 1	SL, O-RING, 2-030	SEE TABLE 1	YES
26	1	SEE TABLE 1	SL, O-RING, 2-905	SEE TABLE 1	YES
27	2	SEE TABLE 1	SL, ORING, 3-906	SEE TABLE 1	NO
28	1	SEE TABLE 1	SL, O-RING, M5 X 1	SEE TABLE 1	NO
29	1	SEE TABLE 2	STEM, SURFACE HTV	NITRONIC 50 HS	YES
30	1	SEE TABLE 2	SEAT, PILL STYLE	ALUMINA-CERAMIC	NO
31	1	SEE TABLE 2	GUIDE RING, STEM, BOTTOM, SURFACE HTV	PTFE	NO
32	1	SEE TABLE 2	GATE, COATED, SURFACE HTV	NITRONIC 50 HS	NO
33	4	SEE TABLE 3	SHCS, M12 X 1.75 X 30MM	SEE TABLE 3	YES
34	1	SEE TABLE 4	HANDLE, SURFACE HTV	SEE DWG	NO
35	1	SEE TABLE 4	BUSHING, STEM, SURFACE HTV	SEE DWG	YES
36	1	SEE TABLE 4	FASTENER, HANDLE	SEE DWG	NO
37	1	SEE TABLE 4	SHSS, M4x0.7x3LG, FLAT POINT	18-8 SS	NO

NOTES CONTINUED:  
 7) COAT ALL THREADS WITH DYNATEX ANTI-SEIZE & LUBRICATING COMPOUND (OR SIMILAR) UNLESS OTHERWISE STATED  
 8) LUBRICATE ALL SEALS WITH PARKER SLUBE 884-4 (OR SIMILAR)  
 9) SEE O&M OR SF5000HTVA-MA-SK FOR SPARES KITS PART LISTS

ALL DIMENSIONS IN INCHES UNLESS OTHERWISE SPECIFIED	DRAWN J.MOORE 7/20/2018	 SKOFLO INDUSTRIES, INC. WOODINVILLE, WA
DRAWING PER ANSI Y14.5M-2009	ENG1 S.SPAHI 7/20/2018 ENG2 J.DUSCHLETTA 7/20/2018 OTHER	
FRACTIONS ± 1/16 .X ± .03 .XX ± .010 .XXX ± .005 .XXXX ± .0005 ANGULAR ± 3°	UNLESS SPECIFIED DEBURR & BREAK EDGES: R15/005 Ra SURF QUAL: 63 FILLETS: R.020/008 DRILL POINT: 110-150°	THIS DOCUMENT CONTAINS INFORMATION WHICH IS PROPRIETARY TO SKOFLO INDUSTRIES INC. THE INFORMATION CONTAINED HEREIN SHALL NOT BE DISCLOSED, DUPLICATED, USED IN WHOLE OR IN PART FOR ANY PURPOSE OTHER THAN TO EVALUATE THIS DOCUMENT
DWG NO SF5000HTVA-MA		VALVE ASSEMBLY, SURFACE, SF5000HTVA
SIZE B	SCALE NONE	SHEET 2 OF 2