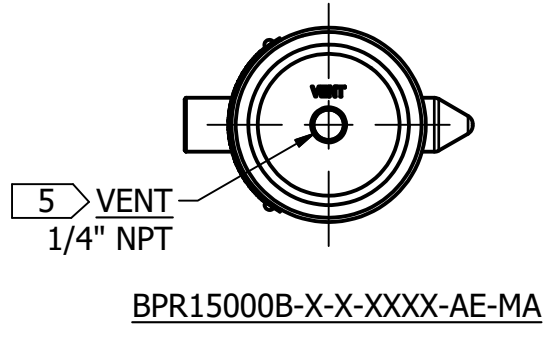
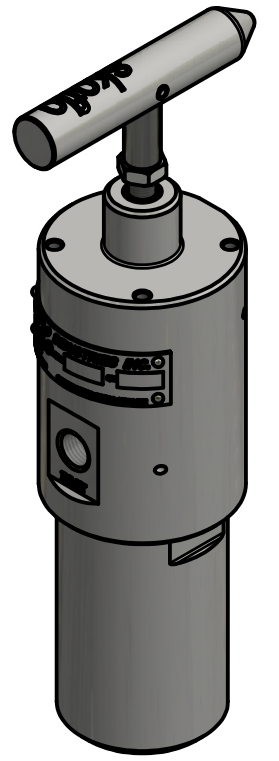
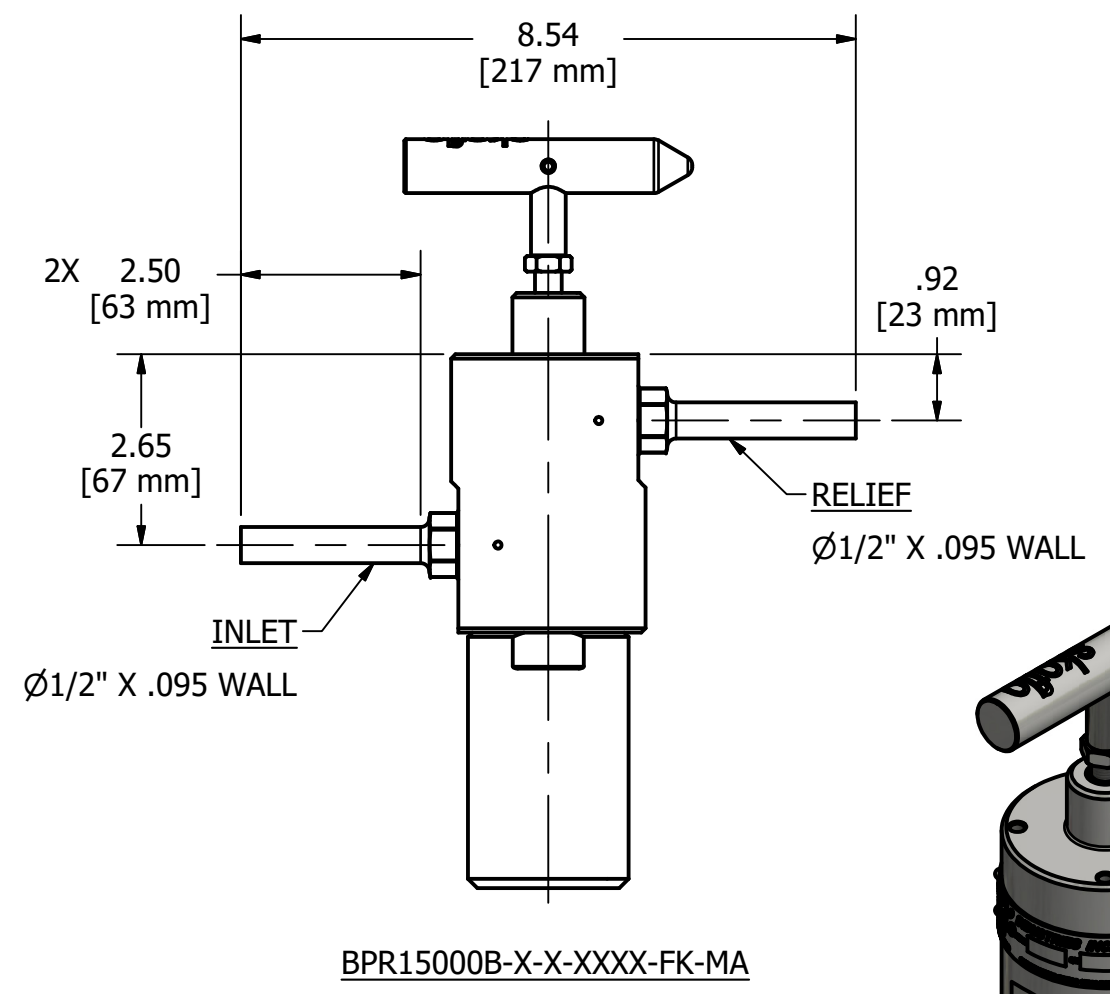
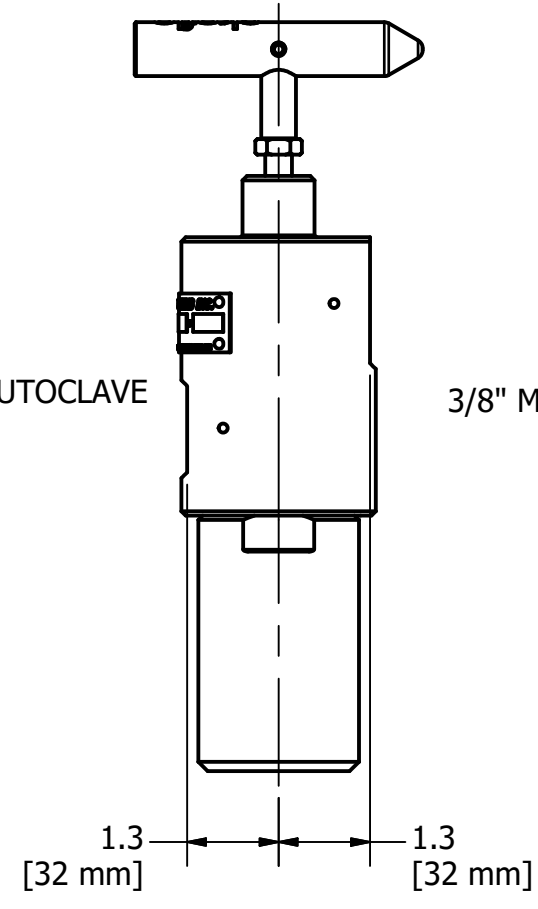
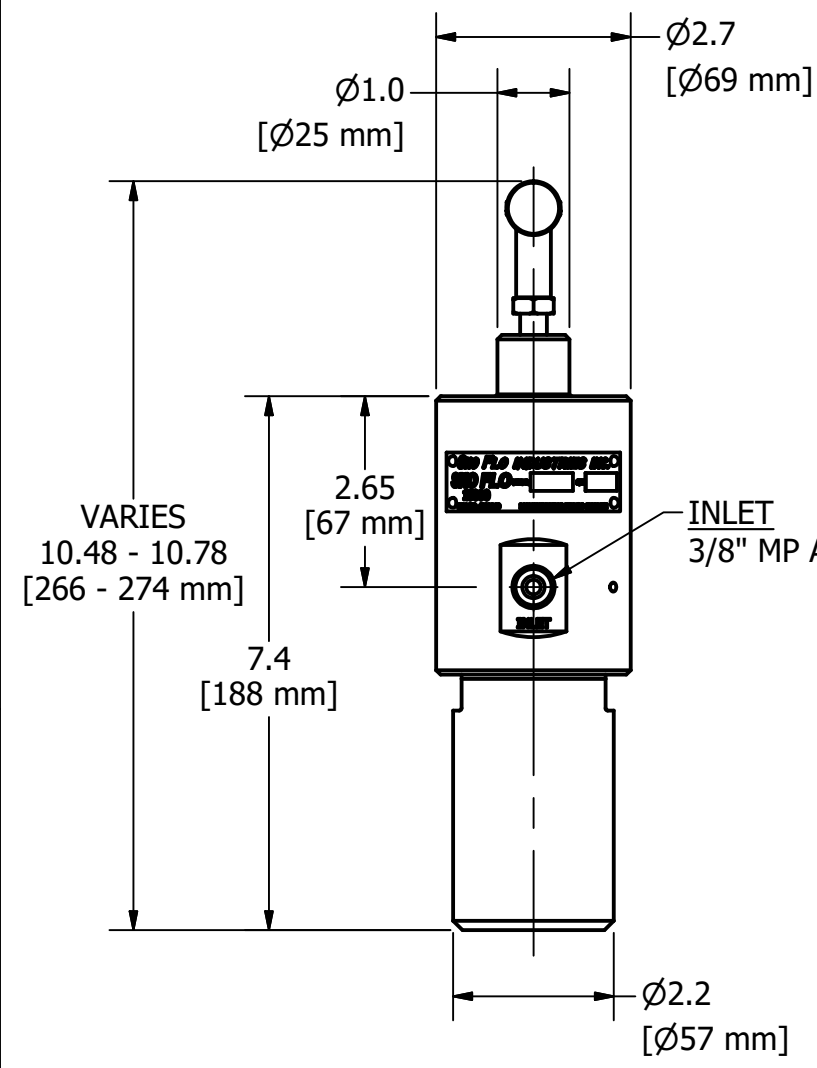
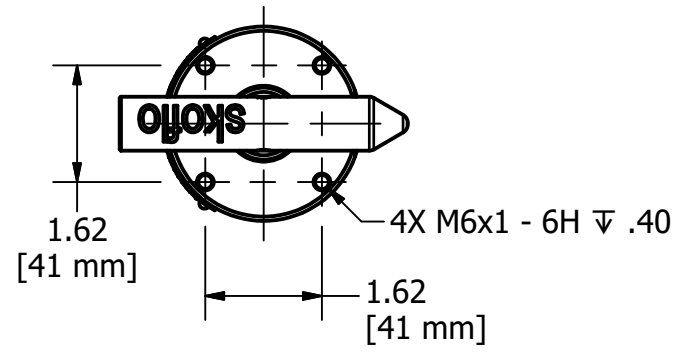


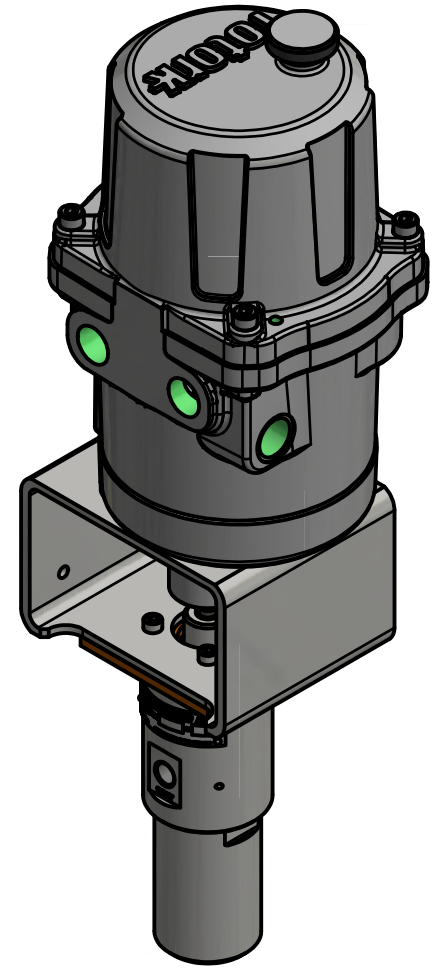
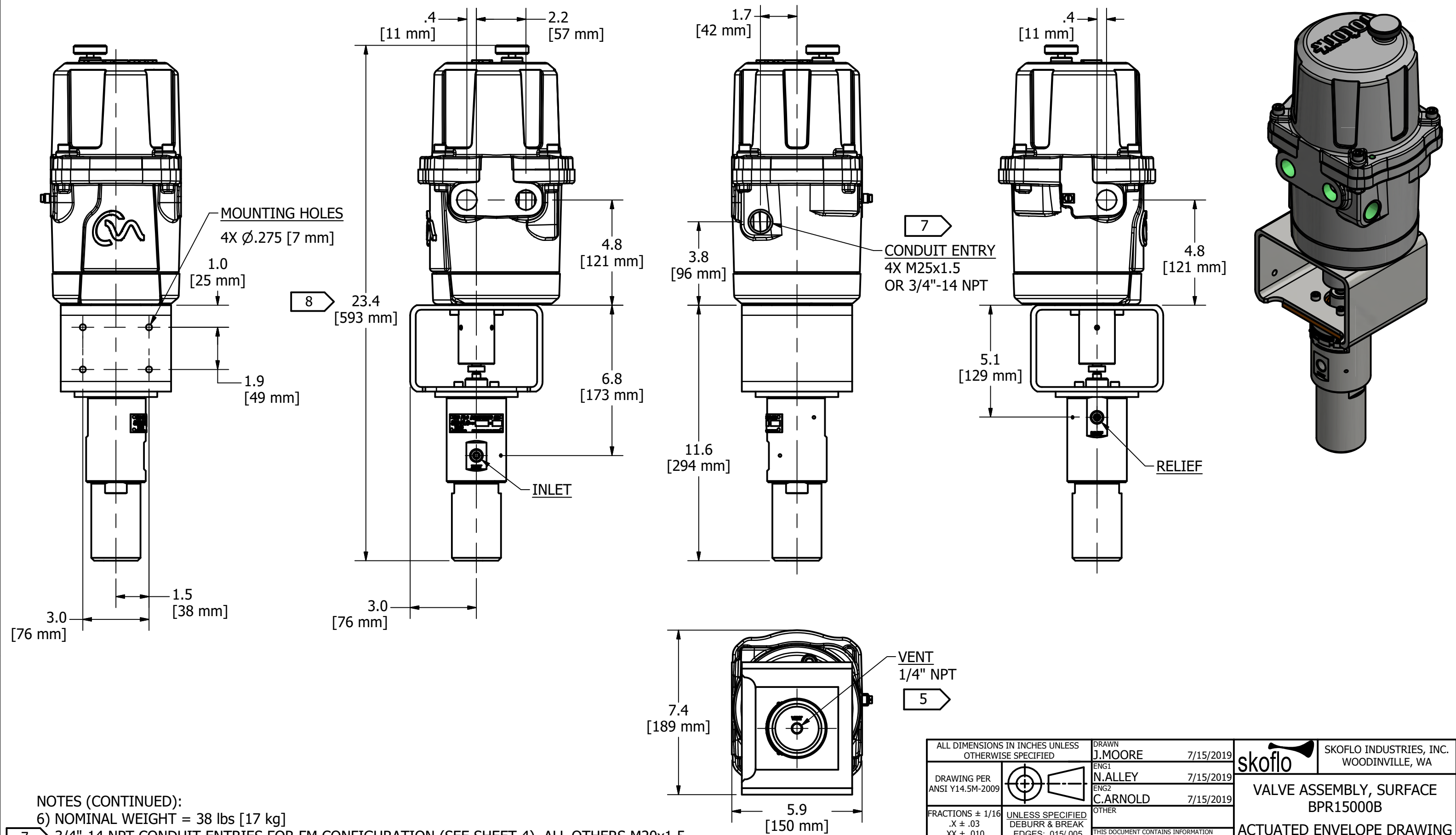
REVISION HISTORY							
ECN #	REV	DESCRIPTION	DATE	DRAWN	ENG1	ENG2	OTHER
	A	INITIAL RELEASE	7/15/19	JM	NA	CA	
2742	B	INCREASE FK TUBE STUB LENGTH, 8.54 WAS 7.84, 2.50 WAS 2.15	7/16/19	JM	CR	CA	
2768	C	UPDATE CONFIGURATION NUMBERING TO INCLUDE COMMUNICATION PROTOCOL	8/13/2019	CA	NA	MK	
2860	D	SEPARATED OUT AC INPUT VOLTAGE CONFIGURATIONS, SPRING 71006349 WAS 71002074	11/15/19	JC	JM	CA	
2868	E	ON SHT 3, TABLE 1, UPDATE COLUMN FFKM TO REFLECT "ISOLAST" BRAND O-RING P/N's; ON SHT 3, ADD FLAG NOTE 13	11/25/19	PTS	JM	NA	
3095	F	SHT 3: 71001887 WAS 71001922	10/6/20	EF	JC	JM	



- NOTES:
- 1) NOMINAL WEIGHT (WITHOUT HUBS) = 18 lbs [8 kg]
 - 2) RATED WORKING PRESSURE = 15,000 psi [1,034 bar]
 - 3) PROOF TEST PRESSURE = 22,500 psi [1,551 bar]
 - 4) PRESSURE RANGE = 4,000 - 15,000 psi [275 - 1,034 bar]
- 5) DO NOT BLOCK VENT

ALL DIMENSIONS IN INCHES UNLESS OTHERWISE SPECIFIED		DRAWN J.MOORE 7/15/2019		SKOFLIO INDUSTRIES, INC. WOODINVILLE, WA	
DRAWING PER ANSI Y14.5M-2009		ENG1 N.ALLEY 7/15/2019			
FRACTIONS \pm 1/16	UNLESS SPECIFIED DEBURR & BREAK EDGES: .015/.005 Ra SURF QUAL: 63 FILLETS: R.020/.008 DRILL POINT: 110-150°	ENG2 C.ARNOLD 7/15/2019	VALVE ASSEMBLY, SURFACE BPR15000B		
.X \pm .03		OTHER	MANUAL ENVELOPE DRAWING BPR15000B		
.XX \pm .010		THIS DOCUMENT CONTAINS INFORMATION WHICH IS PROPRIETARY TO SKOFLIO INDUSTRIES INC. THE INFORMATION CONTAINED HEREIN SHALL NOT BE DISCLOSED, DUPLICATED, USED IN WHOLE OR IN PART FOR ANY PURPOSE OTHER THAN TO EVALUATE THIS DOCUMENT	DWG NO BPR15000B REV F		
.XXX \pm .005			SIZE B SCALE NONE SHEET 1 OF 4		
.XXXX \pm .0005					
ANGULAR \pm 3°					

BPR15000B-X-X-XXXX-AE-AT-XX-XX-X


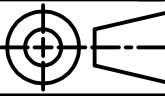


NOTES (CONTINUED):

6) NOMINAL WEIGHT = 38 lbs [17 kg]

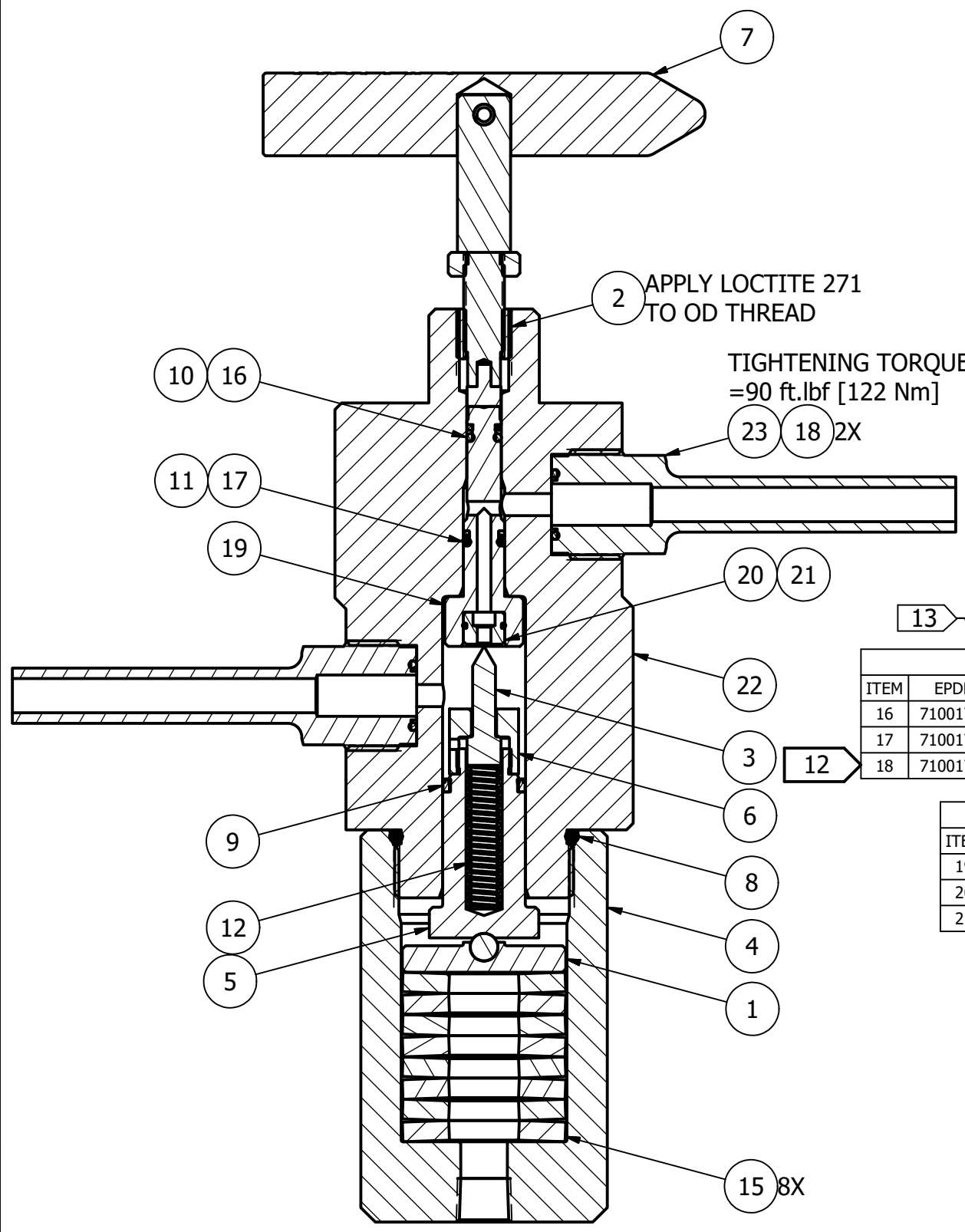
7) 3/4"-14 NPT CONDUIT ENTRIES FOR FM CONFIGURATION (SEE SHEET 4), ALL OTHERS M20x1.5

8) 6" [152 mm] OF CLEARANCE REQUIRED TO REMOVE ACTUATOR COVER

ALL DIMENSIONS IN INCHES UNLESS OTHERWISE SPECIFIED		DRAWN J. MOORE 7/15/2019	 SKOFLO INDUSTRIES, INC. WOODINVILLE, WA
DRAWING PER ANSI Y14.5M-2009	 UNLESS SPECIFIED DEBURR & BREAK EDGES: .015/.005 Ra SURF QUAL: 63 FILLETS: R.020/.008 DRILL POINT: 110-150°	ENG1 N. ALLEY 7/15/2019 ENG2 C. ARNOLD 7/15/2019 OTHER	
FRACTIONS ± 1/16 .X ± .03 .XX ± .010 .XXX ± .005 .XXXX ± .0005 ANGULAR ± 3°		THIS DOCUMENT CONTAINS INFORMATION WHICH IS PROPRIETARY TO SKOFLO INDUSTRIES, INC. THE INFORMATION CONTAINED HEREIN SHALL NOT BE DISCLOSED, DUPLICATED, USED IN WHOLE OR IN PART FOR ANY PURPOSE OTHER THAN TO EVALUATE THIS DOCUMENT.	
SIZE B SCALE NONE SHEET 2 OF 4		VALVE ASSEMBLY, SURFACE BPR15000B ACTUATED ENVELOPE DRAWING BPR15000B REV F	

MANUAL CONFIGURATION NUMBER GUIDE

BPR15000B	-	X	-	X	-	XXXX	-	XX	-	MA
4,000-15,000 psi		6		1	0-400 gpd	EPDM		AE	AUTOCLAVE	
SPRING STACK				2	0-800 gpd	FFKM		FK	FKO	
PRESSURE RANGE				3	100-2000 gpd	FKM		HYDRAULIC CONNECTION		
					FLOW RATE RANGE	FKMB				
						HNBR				
						SEAL CODE				



2 APPLY LOCTITE 271 TO OD THREAD

TIGHTENING TORQUE = 90 ft.lbf [122 Nm]

TABLE 1: O-RING COMPOUND SELECTION

ITEM	EPDM	FFKM	FKM	FKMB	HNBR	DESCRIPTION
16	71001729	71007009	71001730	71003553	71004919	SL, O-RING, 2-008
17	71001738	71006901	71006807	71005994	71006929	SL, O-RING, 2-010
18	71001753	71007392	71001754	71007293	71007294	SL, O-RING, 2-014

TABLE 2: FLOW RATE RANGE SELECTION

ITEM	0-400 gpd	0-800 gpd	100-2000 gpd	DESCRIPTION
19	30925-001	30925-001	30925-002	SEAT HOLDER
20	21358	21358	20121	SEAT
21	N/A	N/A	71004402	O-RING

TABLE 3: CONNECTION SELECTIONS

ITEM	AUTOCLAVE	FKO	DESCRIPTION
22	27510	31024	BODY, BPR15000B
23	N/A	31025	HUB

PARTS LIST

ITEM	QTY	PART NUMBER	DESCRIPTION	MATERIAL	PRESSURE CONTAINING
1	1	10179	ASSY, WASHER, SPRING STACK, BPR, LF, SURFACE	SEE DWG 10179	NO
2	1	20096	BUSHING, THREADED (3/8 X 1/2)	AI-NI-BRZ	NO
3	1	20200	PIN, Ø.207, LONG	ZIRCONIA	NO
4	1	20234	BASE, BPR, LF, SURFACE	NITRONIC 60	YES
5	1	20237	PISTON, BPR, LF, SURFACE	NITRONIC 60	YES
6	1	20238	HOLDER, PIN, BPR, LF, SURFACE	316L SS	NO
7	1	22211	HANDLE, ASSY, COMPLETE, BPR, LF, SURFACE	SEE DWG 22211	NO
8	1	71001833	SL, ORING, 3-920	EPDM	NO
9	1	71001871	SL, CUP, .75 OD X .625 ID	SEE DWG 71001871	YES
10	1	71001887	SL, BU RING, -008, SCARF CUT	PTFE	NO
11	1	71001924	SL, BU RING, 8-010	PEEK	NO
12	1	71006349	SPRING, COIL, Ø.304 X 1.94, PIN, BPR LF SUBSEA	ELGILOY	NO
13	4	71002116	U-DRIVE SCREW, RH, #2X1/4	302 SS	NO
14	1	71002143	NAMEPLATE, BPR15000/SF15000	316L SS	NO
15	8	71005992	SPRING, WASHER, Ø1.480 OD x Ø.625 ID, .177 TH	INCONEL X-750	NO
16	1	SEE TABLE 1	SL, O RING, 2-008	SEE TABLE 1	YES
17	1	SEE TABLE 1	SL, O-RING, 2-010	SEE TABLE 1	NO
18	2	SEE TABLE 1	SL, O RING, 2-014	SEE TABLE 1	YES
19	1	SEE TABLE 2	HOLDER, SEAT, BPR5000D/10000C/15000B, SURFACE	NITRONIC 50 HS	YES
20	1	SEE TABLE 2	SEAT	ALUMINA	NO
21	1	SEE TABLE 2	SL, O RING, M1 X 8, FFKM	SEE TABLE 2	NO
22	1	SEE TABLE 3	BODY, BPR15000B	NITRONIC 50 HS	YES
23	2	SEE TABLE 3	HUB, 1-12 UNF, Ø1/2" X .095 WALL	SUPER DUPLEX 2507	YES

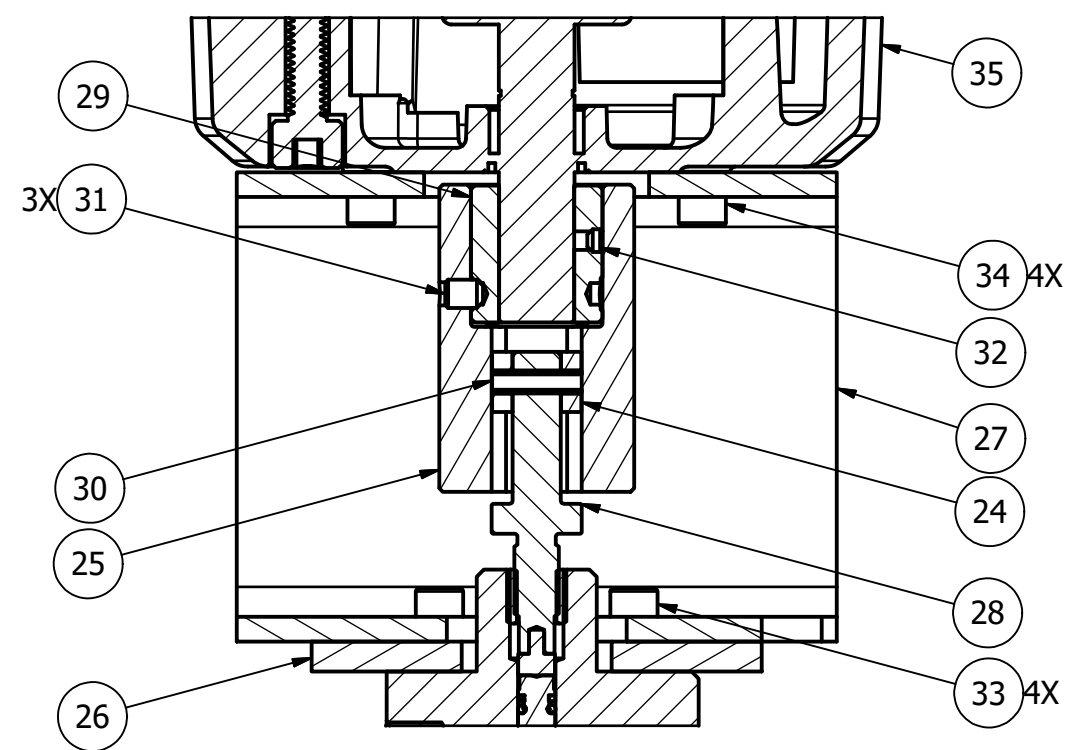
SECTION C-C

- NOTES (CONTINUED):
- 9) COAT ALL THREADS WITH DYNATEX ANTI-SEIZE & LUBRICATING COMPOUND (OR SIMILAR) UNLESS OTHERWISE STATED
 - 10) LUBRICATE ALL SEALS WITH PARKER SLUBE 884-4 (OR SIMILAR)
 - 11) SEE BPR15000B-INTERNAL FOR SPARES KITS PART LISTS
 - 12) ITEM 18 IS NOT REQUIRED FOR AUTOCLAVE CONFIGURATION
 - 13) PRESSURE CONTAINING FFKM O-RINGS SHALL BE "ISOLAST" GRADE J9523

ALL DIMENSIONS IN INCHES UNLESS OTHERWISE SPECIFIED	DRAWN J. MOORE 7/15/2019		SKOFLO INDUSTRIES, INC. WOODINVILLE, WA
DRAWING PER ANSI Y14.5M-2009	ENG1 N. ALLEY 7/15/2019 ENG2 C. ARNOLD 7/15/2019 OTHER		
FRACTIONS ± 1/16 .X ± .03 .XX ± .010 .XXX ± .005 .XXXX ± .0005 ANGULAR ± 3°	UNLESS SPECIFIED DEBURR & BREAK EDGES: .015/.005 Ra SURF QUAL: 63 FILLETS: R.020/.008 DRILL POINT: 110-150°	VALVE ASSEMBLY, SURFACE BPR15000B MANUAL BOM BPR15000B	
THIS DOCUMENT CONTAINS INFORMATION WHICH IS PROPRIETARY TO SKOFLO INDUSTRIES INC. THE INFORMATION CONTAINED HEREIN SHALL NOT BE DISCLOSED, DUPLICATED, USED IN WHOLE OR IN PART FOR ANY PURPOSE OTHER THAN TO EVALUATE THIS DOCUMENT		DWG NO BPR15000B	REV F
SIZE B SCALE NONE SHEET 3 OF 4			

ACTUATED CONFIGURATION NUMBER GUIDE

BPR15000B	-	X	-	X	-	XXXX	-	XX	-	XX	-	XX	-	X	-	XX	
4,000-15,000 psi		6		1	0-400 gpd	EPDM		AE	AUTOCLAVE	MA	MANUAL	120	120 VAC	4	4 - 20 mA	NA	FM
SPRING STACK				2	0-800 gpd	FFKM		FK	FKO	AT	ACTUATOR	208	208 VAC	F	FIELD BUS	AX	ATEX
PRESSURE RANGE				3	100-2000 gpd	FKM			HYDRAULIC CONNECTION		ACTUATOR SELECTION	230	230 VAC	H	HART	EX	IECEX
					FLOW RATE RANGE	FKMB						DC	24VDC		COMMUNICATION PROTOCOL	GO	GOST
						HNBR											HAZLOC SELECTION
						SEAL CODE											



PARTS LIST					
ITEM	QTY	PART NUMBER	DESCRIPTION	MATERIAL	PRESSURE CONTAINING
24	1	20680	ADAPTER, SQUARE DRIVE, ACTUATOR	316 SS	NO
25	1	26540	COUPLER, ACTUATOR, SQUARE DRIVE	NITRONIC 50 HS	NO
26	1	27398	PLATE, ADAPTER, MOUNTING, ACTUATOR	316SS	NO
27	1	27430	BRACKET, ACTUATOR, BPR10000C/ 15000B	316L SS	NO
28	1	27480	STEM, ACTUATOR, SF15000C	SEE DWG 27480	NO
29	1	30802	SLEEVE, ADAPTER, ACTUATOR	316L SS	NO
30	1	71002082	RLPN, Ø.1875 X 0.75 LG	316 SS	NO
31	3	71002101	SHSS, CUP, M6-1 X 8	316 SS	NO
32	1	71002911	SHSS, CUP, 10-32 X 1/8	316 SS	NO
33	4	71007102	SHCS, M6X1 - 20	316 SS	NO
34	4	71007246	SHCS, M6X1 X 12LG	316 SS	NO
35	1	SEE DWG 71007126	ACTUATOR, ROTARY, CMR-200	SEE DWG 71007126	NO

NOTES (CONTINUED):
 14) ITEM 7 IS NOT REQUIRED FOR ACTUATED CONFIGURATION

ALL DIMENSIONS IN INCHES UNLESS OTHERWISE SPECIFIED	DRAWN J.MOORE 7/15/2019	SKOFLO INDUSTRIES, INC. WOODINVILLE, WA
DRAWING PER ANSI Y14.5M-2009	ENG1 N.ALLEY 7/15/2019 ENG2 C.ARNOLD 7/15/2019 OTHER	
FRACTIONS ± 1/16 .X ± .03 .XX ± .010 .XXX ± .005 .XXXX ± .0005 ANGULAR ±3°	UNLESS SPECIFIED DEBURR & BREAK EDGES: .015/.005 Ra SURF QUAL: 63 FILLETS: R.020/.008 DRILL POINT: 110-150°	THIS DOCUMENT CONTAINS INFORMATION WHICH IS PROPRIETARY TO SKOFLO INDUSTRIES INC. THE INFORMATION CONTAINED HEREIN SHALL NOT BE DISCLOSED, DUPLICATED, USED IN WHOLE OR IN PART FOR ANY PURPOSE OTHER THAN TO EVALUATE THIS DOCUMENT
VALVE ASSEMBLY, SURFACE BPR15000B ACTUATED BOM BPR15000B		DWG NO BPR15000B REV F
SIZE B	SCALE NONE	SHEET 4 OF 4