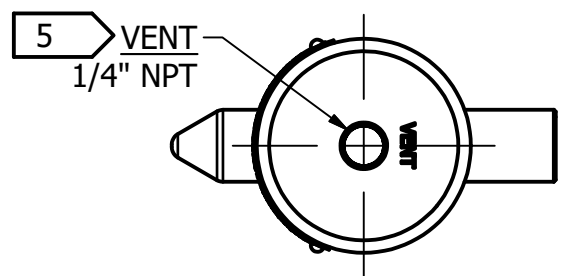
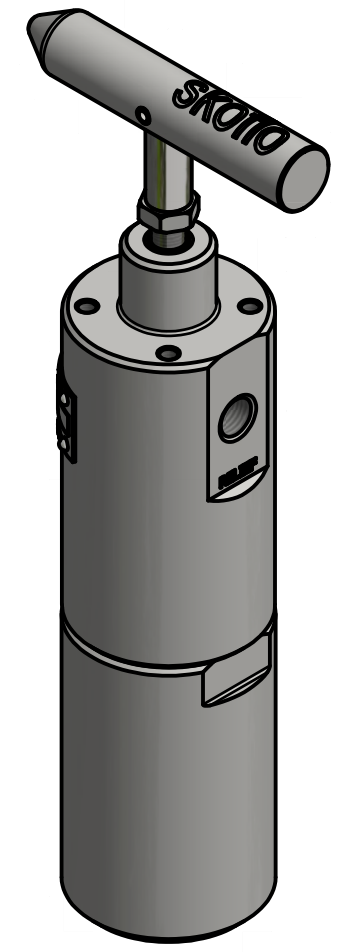
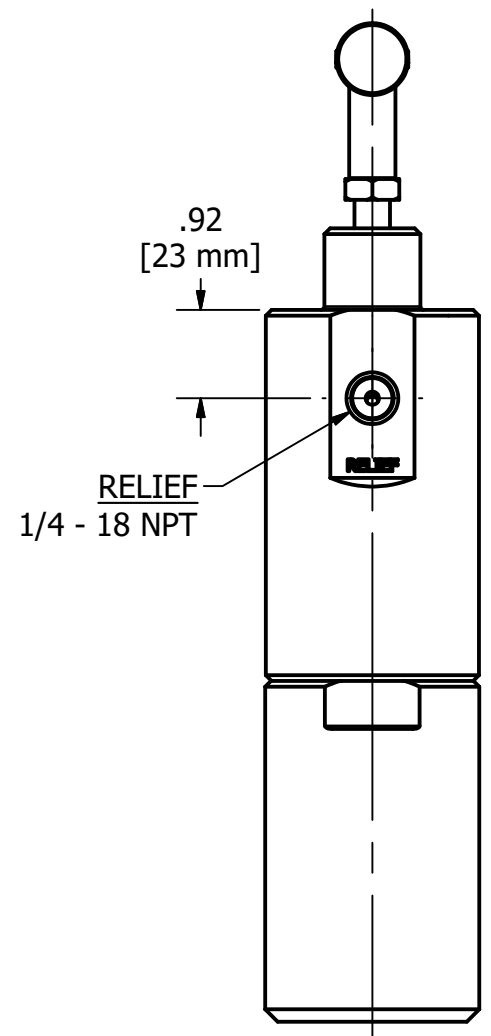
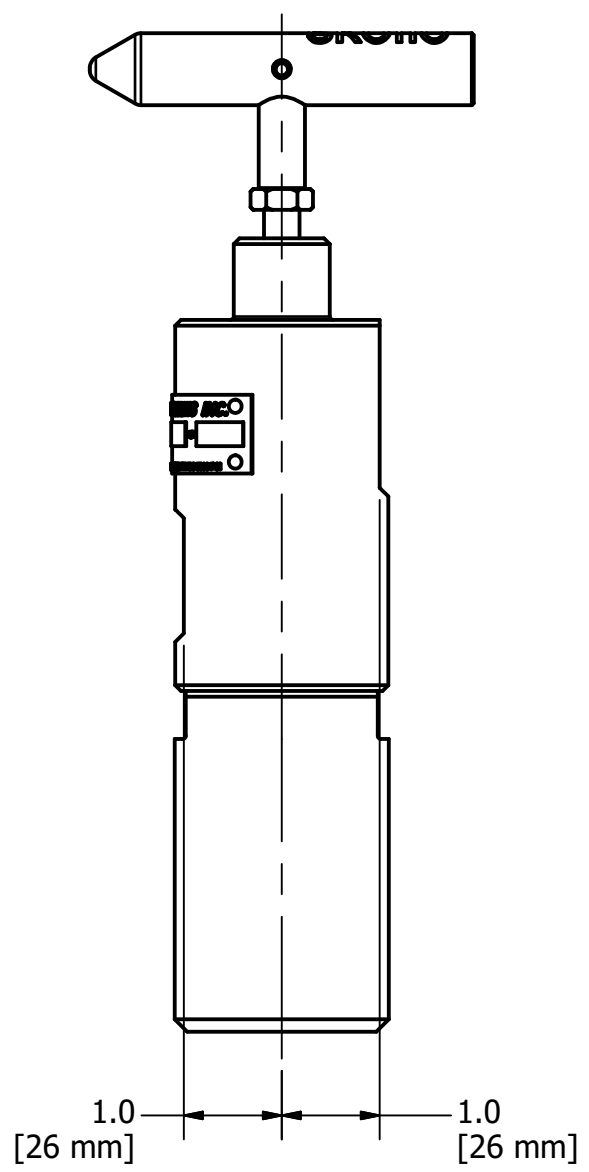
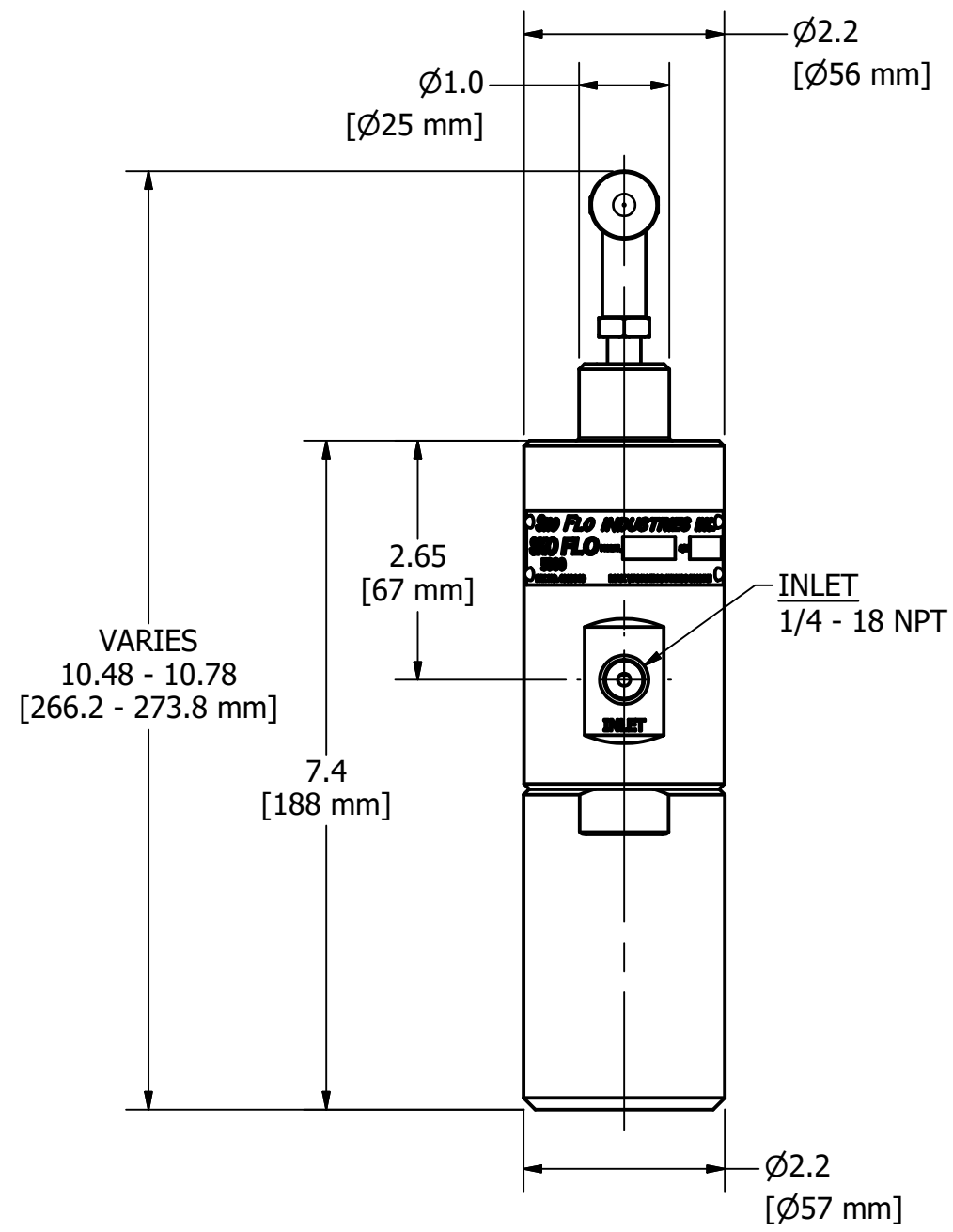
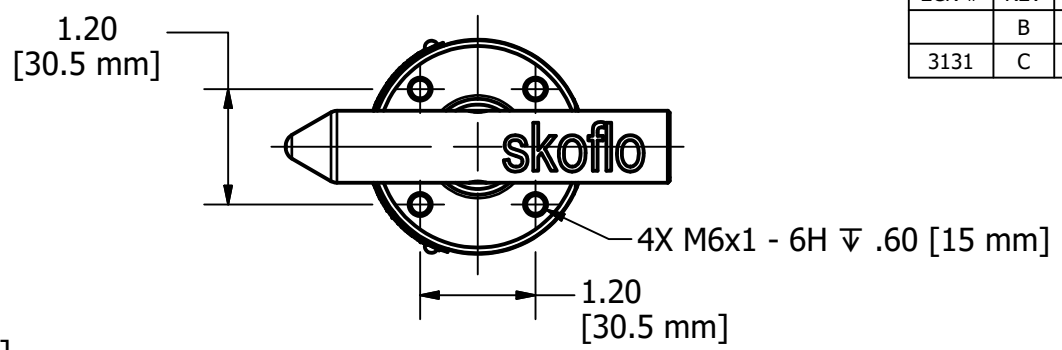


REVISION HISTORY							
ECN #	REV	DESCRIPTION	DATE	DRAWN	ENG1	ENG2	OTHER
	B	INITIAL RELEASE	4/16/20	EF	NA	JM	
3131	C	SHT 2: ADD ALTERNATE OPTIONS FOR ITEM 18	10/6/20	EF	JM	CA	



- NOTES:
- 1) NOMINAL WEIGHT = 8 lb [3.6 kg]
 - 2) RATED WORKING PRESSURE = 5,000 psi [345 bar]
 - 3) PROOF TEST PRESSURE = 7,500 psi [517 bar]
 - 4) FLOW RATE RANGES SEE TABLE 2
 - 5) DO NOT BLOCK VENT

ALL DIMENSIONS IN INCHES UNLESS OTHERWISE SPECIFIED	DRAWN E. FAIRCHILD 3/10/2020		SKOFLO INDUSTRIES, INC. WOODINVILLE, WA
DRAWING PER ANSI Y14.5M-2009	ENG1 N. ALLEY 3/17/2020		BPR, SURFACE, BPR5000D
FRACTIONS ± 1/16 X ± .03 .XX ± .010 .XXX ± .005 .XXX ± .0005 ANGULAR ± 3°	UNLESS SPECIFIED DEBURR & BREAK EDGES: R15/005 Ra SURF. QUAL: 63 FILLETS: R.020/008 DRILL POINT: 110-150°	ENG2 J. MOORE 4/10/2020	OTHER
THIS DOCUMENT CONTAINS INFORMATION WHICH IS PROPRIETARY TO SKOFLO INDUSTRIES, INC. THE INFORMATION CONTAINED HEREIN SHALL NOT BE DISCLOSED, DUPLICATED, USED IN WHOLE OR IN PART FOR ANY PURPOSE OTHER THAN TO EVALUATE THIS DOCUMENT		DWG NO BPR5000D	REV C
SIZE B	SCALE NONE	SHEET 1 OF 2	

CONFIGURATION NUMBER GUIDE

BPR5000D	-	X	-	X	-	XXXX
0-2500 psi	1	2	0-800 gpd			EPDM
2000-5000 psi	2	3	100-2000 gpd			FFKM
SPRING STACK			FLOW RATE RANGE			FKM
PRESSURE RANGE						HNBR
						SEAL
						CODE

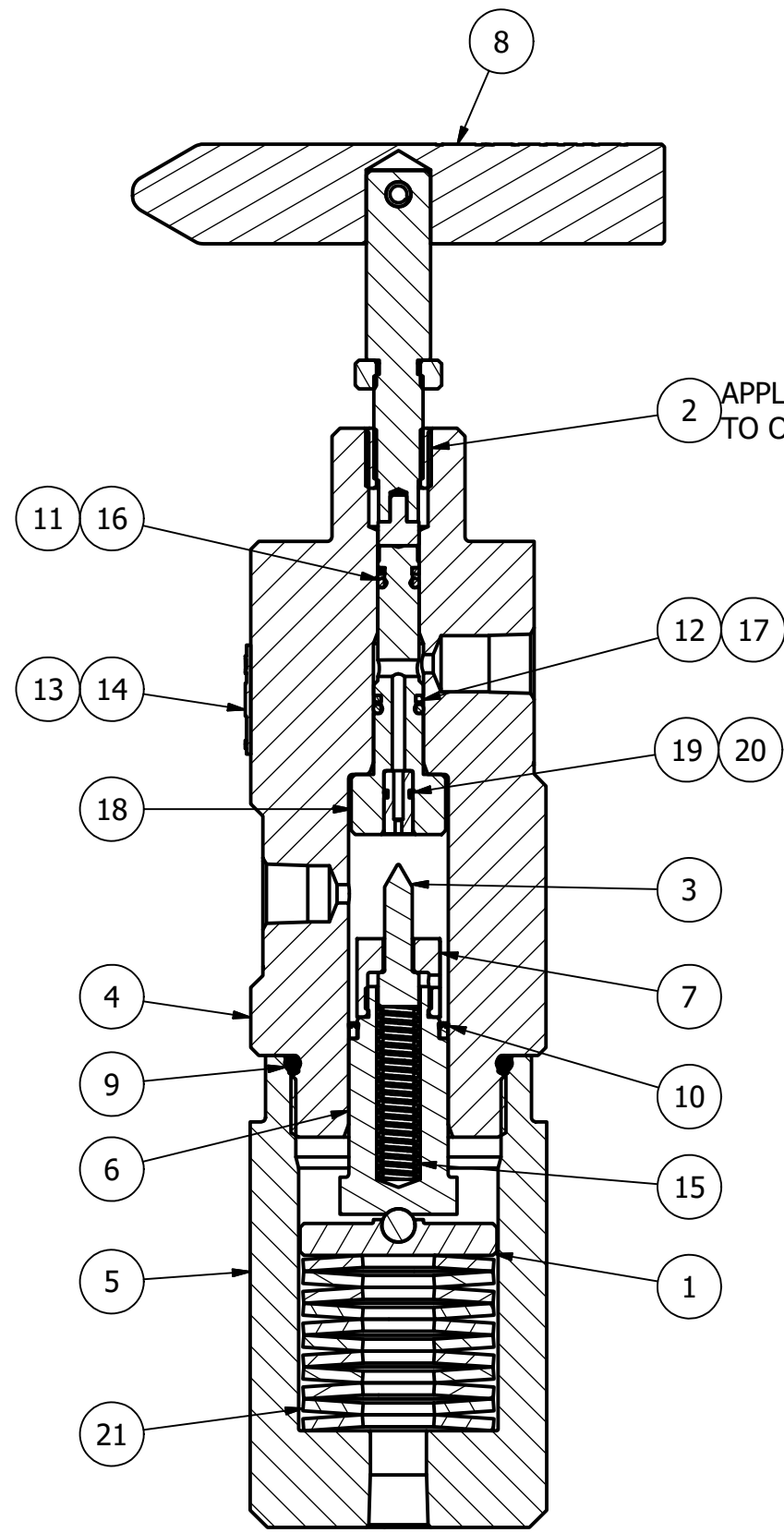


TABLE 1: O-RING COMPOUND SELECTION

ITEM	EPDM	FFKM	FKM	HNBR	DESCRIPTION
16	71001729	71007009	71001730	71004919	SL, O-RING, 2-008
17	71001738	71006901	71006807	71006929	SL, O-RING, 2-010

TABLE 2: FLOW RATE RANGE SELECTION

ITEM	0-800 gpd	100-2000 gpd	DESCRIPTION
18	30925-001 ALT 31290-001	30925-002 ALT 31290-002	SEAT HOLDER
19	21358	20121	SEAT
20	N/A	71004402	O-RING

TABLE 3: SPRING STACK SELECTION

ITEM	0-2,500 psi	2,000-5,000 psi	DESCRIPTION
21	22111	22112	WASHER SPRING SET, BPR5000D

PARTS LIST

ITEM	QTY	PART NUMBER	DESCRIPTION	MATERIAL	PRESSURE CONTAINING
1	1	10179	ASSY, WASHER, SPRING STACK, BPR, LF, SURFACE	SEE DWG 10179	NO
2	1	20096	BUSHING, THREADED (3/8 X 1/2)	Al-NI-BRZ	NO
3	1	20200	PIN, Ø.207, LONG	ZIRCONIA	NO
4	1	20233	BODY, BPR5000D	316L SS	YES
5	1	20234	BASE, BPR, LF, SURFACE	NITRONIC 60	YES
6	1	20237	PISTON, BPR, LF, SURFACE	NITRONIC 60	YES
7	1	20238	HOLDER, PIN, BPR, LF, SURFACE	316L SS	NO
8	1	22211	HANDLE, ASSY, COMPLETE, BPR, LF, SURFACE	SEE DWG 22211	NO
9	1	71001833	SL, ORING, 3-920	EPDM	NO
10	1	71001871	SL, CUP, .75 OD X .625 ID	SEE DWG 71001871	YES
11	1	71001887	SL, BU RING, -008, SCARF CUT	PTFE	NO
12	1	71001891	SL, BU RING, -010, SCARF CUT	PTFE	NO
13	4	71002116	U-DRIVE SCREW, RH, #2X1/4	302 SS	NO
14	1	71002141	NAMEPLATE, BPR5000D	316L SS	NO
15	1	71006349	SPRING, COIL, Ø.304 X 1.94, PIN, BPR LF SUBSEA	ELGILOY	NO
16	1	SEE TABLE 1	SL, O RING, 2-008	SEE TABLE 1	YES
17	1	SEE TABLE 1	SL, O-RING, 2-010	SEE TABLE 1	NO
18	1	SEE TABLE 2	HOLDER, SEAT, BPR5000D/10000C/15000B, SURFACE	NITRONIC 50 HS	YES
19	1	SEE TABLE 2	SEAT, LAPPED	CERAMIC - PROPRIETARY	NO
20	1	SEE TABLE 2	SL, O-RING, M4 X 1	FFKM	NO
21	1	SEE TABLE 3	WASHER SPRING SET, BPR5000D	SEE TABLE 3	NO

NOTES CONTINUED:
 6) COAT ALL THREADS WITH DYNATEX ANTI-SEIZE & LUBRICATING COMPOUND (OR SIMILAR) UNLESS OTHERWISE STATED
 7) LUBRICATE ALL SEALS WITH PARKER SLUBE 884-4 (OR SIMILAR)
 8) SEE BPR LF-SK FOR SPARES KITS PART LIST
 9) PRESSURE CONTAINING FFKM O-RINGS SHALL BE "ISOLAST" GRADE J9523

ALL DIMENSIONS IN INCHES UNLESS OTHERWISE SPECIFIED	DRAWN E. FAIRCHILD 3/10/2020		SKOFLO INDUSTRIES, INC. WOODINVILLE, WA
DRAWING PER ANSI Y14.5M-2009	ENG1 N. ALLEY 3/17/2020		BPR, SURFACE, BPR5000D
FRACTIONS ± 1/16 X ± .03 .XX ± .010 .XXX ± .005 .XXXX ± .0005 ANGULAR ± 3°	ENG2 J. MOORE 4/10/2020	OTHER	
UNLESS SPECIFIED DEBURR & BREAK EDGES: R15/005 Ra SURF. Q1AL: 63 FILLETS: R.020/008 DRILL POINT: 110-150°		DWG NO BPR5000D	REV C
SIZE B SCALE NONE SHEET 2 OF 2			