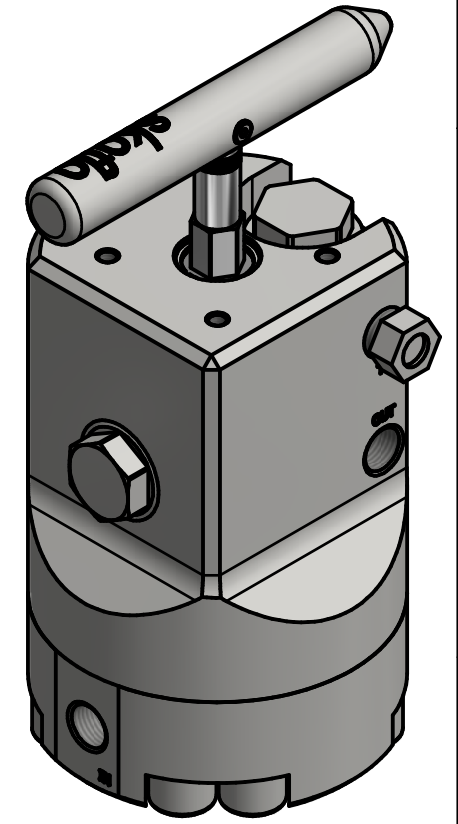
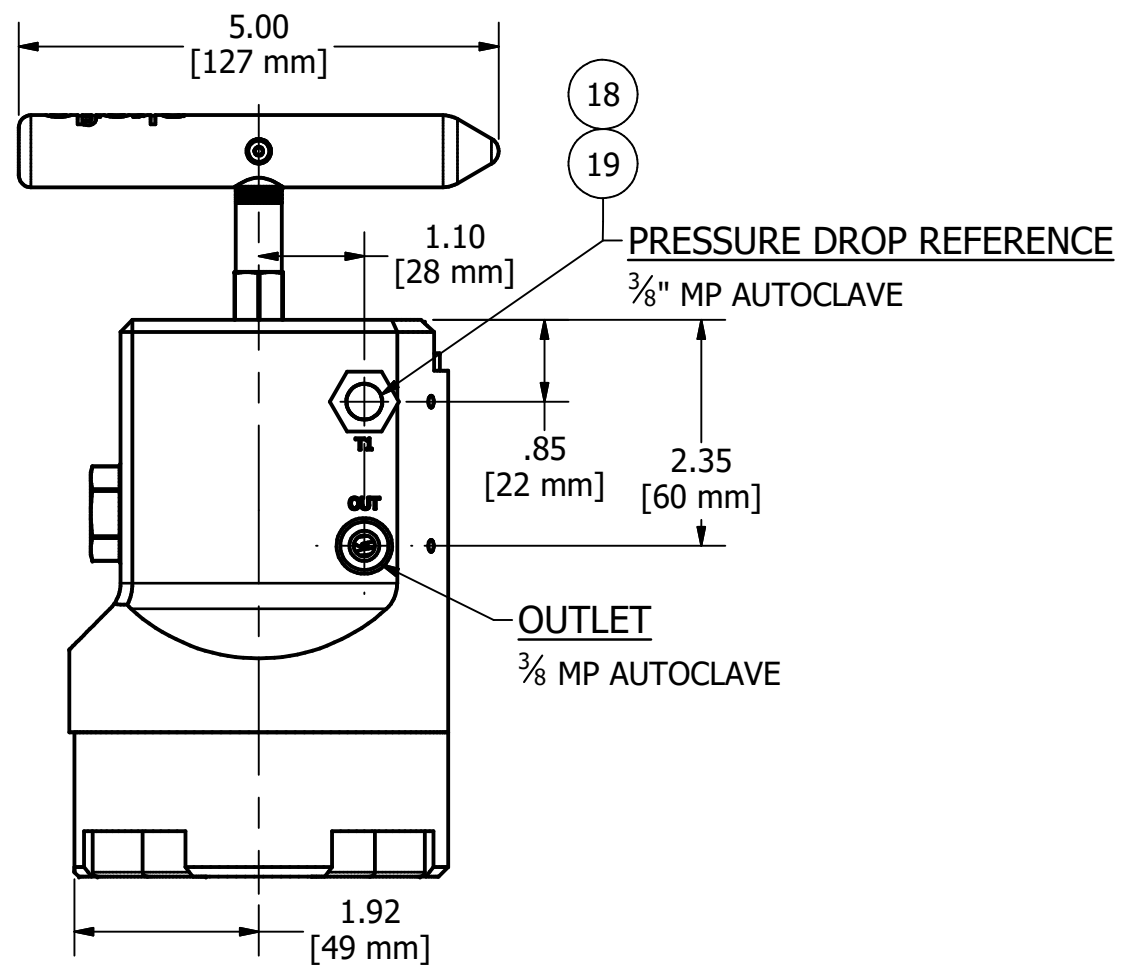
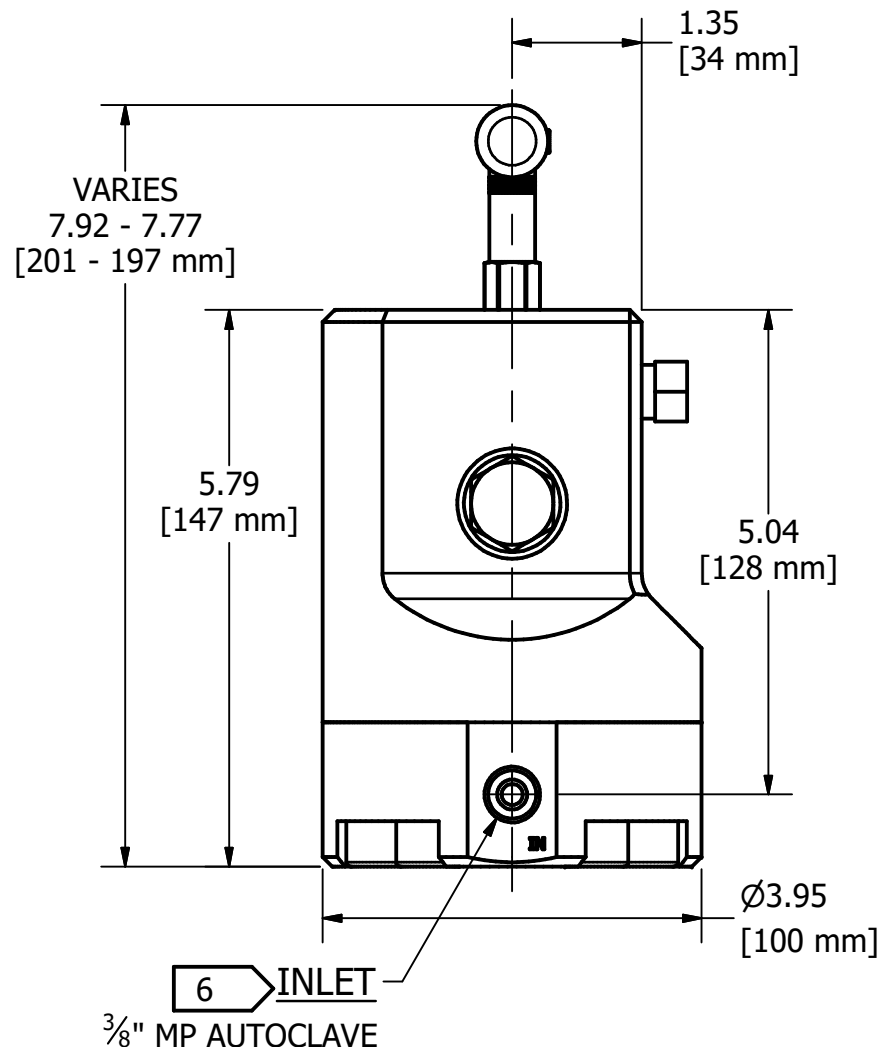
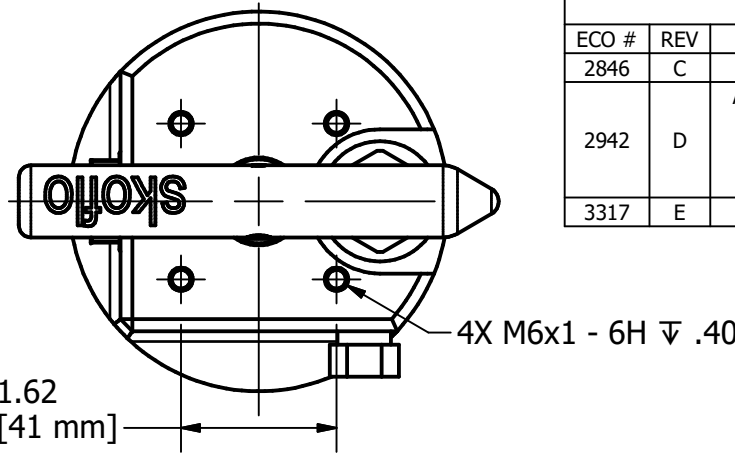


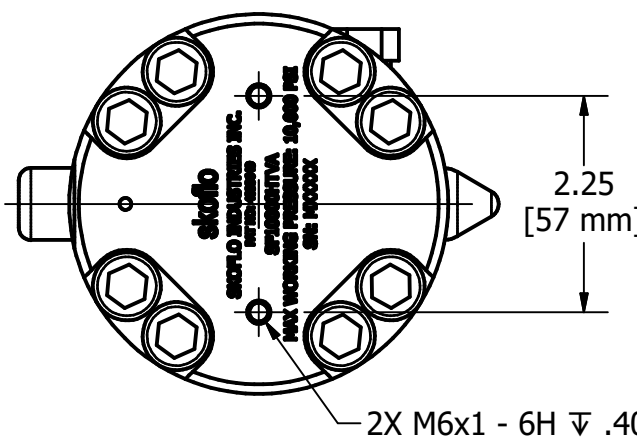
CONFIGURATION NUMBER GUIDE

SF10000HTVA	-	XXXX	-	XXXX	-	X	-	XX	-	XX	
1-600gpd		600D		FFKM		L	LIGHT	A4	A4-70	MA	MANUAL
50-2500gpd		2500D		EPDM		H	HEAVY	SD	SUPER DUPLEX	RV	ROTORK VALVE ONLY
FLOW RANGE		FLOW CODE		SEAL MATERIAL		SPRING CODE	SPRING	FASTENER CODE	FASTENER MATERIAL	ACTUATION CODE	ACTUATION TYPE

ECO #		REV	DESCRIPTION	DATE	DRAWN	ENG1	ENG2	OTHER
2846		C	ON SHT 2 ADD LOCTITE CALLOUT FOR ITEM 2;	11/4/19	PTS	JM	JC	
2942		D	ADDED SUPER DUPLEX FASTENER OPTIONS; RENUMBERED ITEMS; MOVED CONFIGURATION GUIDE TO SHT 1; ADDED SQUARE CALLOUT ON 1.62. ADDED ACTUATION OPTIONS. MOVED TABLES AROUND ON SHT 2	7/16/20	CA	JM	NA	
3317		E	ADDED 2500 OPTION TO ITEM 4. ADDED ITEM 4 TO TABLE 2	6/21/21	CA	JM	JC	



- NOTES:
- 1) NOMINAL WEIGHT = 18.1 lb [8.2 kg]
 - 2) RATED WORKING PRESSURE = 10,000 psi [689 bar]
 - 3) PROOF TEST PRESSURE = 15,000 psi [1034 bar]
 - 4) FLOW RATE RANGES:
 - a) 1 - 600 gpd
 - b) 50 - 2,500 gpd
 - 5) MANUAL CONFIGURATION SHOWN
 - 6) ORIENTATION CAN BE ADJUSTED IN 90° INCREMENTS



ALL DIMENSIONS IN INCHES UNLESS OTHERWISE SPECIFIED	DRAWN J. MOORE 2/12/2019	SKOFLO INDUSTRIES, INC. WOODINVILLE, WA
DRAWING PER ANSI Y14.5M-2009	ENG1 N. ALLEY 2/12/2019 ENG2 J. DUSHLETTA 2/12/2019 OTHER	
FRACTIONS ± 1/16 X ± .03 .XX ± .010 .XXX ± .005 .XXX ± .0005 ANGULAR ± 3°	UNLESS SPECIFIED DEBURR & BREAK EDGES: 0.15/005 Ra SURF. QUAL: 63 FILLETS: R.02/0.008 DRILL POINT: 110-150°	THIS DOCUMENT CONTAINS INFORMATION WHICH IS PROPRIETARY TO SKOFLO INDUSTRIES INC. THE INFORMATION CONTAINED HEREIN SHALL NOT BE DISCLOSED, DUPLICATED, USED IN WHOLE OR IN PART FOR ANY PURPOSE OTHER THAN TO EVALUATE THIS DOCUMENT
VALVE ASSEMBLY, SURFACE, SF10000HTVA, MANUAL		ENVELOPE DRAWING SF10000HTVA-MA
DWG NO SIZE B	SCALE NONE	SHEET 1 OF 2

PARTS LIST					
ITEM	QTY	PART NUMBER	DESCRIPTION	MATERIAL	PRESSURE CONTAINING
1	1	30426	PLUG, GATE PAD, SURFACE HTV	NITRONIC 50 HS	YES
2	2	30431	GUIDE RING, GATE, SURFACE HTV	PEEK	NO
3	1	30432	GUIDE RING, STEM, TOP, SURFACE HTV	PTFE	NO
4	1	SEE TABLE 2	RETAINER, SEAT, SURFACE HTV	SEE TABLE 2	NO
5	1	30471	PIN, CERAMIC, .165	ZIRCONIA 3Y-TZP	NO
6	1	30512	PAD, GATE, SURFACE HTV	ZIRCONIA 3Y-TZP	NO
7	1	30513	SPRING, WASHER, STACK 5	INCONEL 718	NO
8	1	30617	CAP, HPS	NITRONIC 50 HS	YES
9	1	30618	NEEDLE, LF, HPS, 20°	CARBIDE BC-6N	NO
10	1	30623	SEAT, Ø.250, HPS	CARBIDE BC-6N	NO
11	1	30626	RETAINER, SEAL, HPS/ HTV	316 SS	NO
12	1	30653	NUT, RETAINER, SEAT, HPS	316 SS	NO
13	1	30655	BODY, 10KSI, SURFACE HTV	NITRONIC 50 HS	YES
14	1	30869	RETAINER, SEAL, GATE PAD, HTV	316 SS	NO
15	1	30877	BASE, SERIALIZED, 10KSI, HTV	NITRONIC 50 HS	YES
16	1	30954	PISTON, STOP VERSION, HTV	NITRONIC 50 HS	NO
17	1	71001948	SPIRAL RING, WST-118-S16	316 SS	NO
18	1	71002083	3/8 AUTOCLAVE PLUG	316 SS	NO
19	1	71003288	NUT, PLUG, 3/8 AUTOCLAVE	316 SS	YES
20	1	71006907	SPRING, COIL, Ø.258 X 1.02, PISTON	ELGILOY	NO
21	1	71006956	SL, O-RING, 1.2mm CS X 6mm ID	EPDM	NO
22	1	71006962	SL, CUP, PISTON, HTD	SEE DWG 71006962	NO
23	1	71006998	SL, BU RING, .304 ID X .053W X .050T	PTFE	NO
24	1	71007029	SPRING, WASHER, Ø.845 X Ø.280 X .05	INCONEL 718	NO
25	1	71007034	SL, C-RING, EXTERNAL PRESSURE, ECE-000711-05-14-8-SPC	INCONEL 718	NO
26	1	71007036	SL, CUP, CANT SPRING, Ø.250 ID, FC1N1229	SEE DWG 71007036	NO
27	1	71007048	SPRING, COIL, Ø.250 X 1.00, GATE PAD	ELGILOY	NO
28	1	71007113	SL, CUP, .408 ID, FS032029-2	SEE DWG 71007113	YES
29	1	71007136	SLRG, INTERNAL, Ø.875, FHL-94-HAS	HASTELLOY C-276	NO
30	1	71007137	SLRG, EXTERNAL, .375, WSM-37-S16	316 SS	NO
31	1	SEE TABLE 1	SL, O-RING, 2-010	SEE TABLE 1	NO
32	1	SEE TABLE 1	SL, O-RING, 2-011	SEE TABLE 1	NO
33	2	SEE TABLE 1	SL, O RING, 2-013	SEE TABLE 1	YES
34	1	SEE TABLE 1	SL, O-RING, 2-018	SEE TABLE 1	YES
35	1	SEE TABLE 1	SL, O-RING, 2-021	SEE TABLE 1	YES
36	1	SEE TABLE 1	SL, O-RING, 2-030	SEE TABLE 1	YES
37	1	SEE TABLE 1	SL, ORING, 3-906	SEE TABLE 1	NO
38	1	SEE TABLE 1	SL, O-RING, M5 X 1	SEE TABLE 1	NO
39	1	SEE TABLE 2	STEM, SURFACE HTV	NITRONIC 50 HS	YES
40	1	SEE TABLE 2	GATE, COATED, SURFACE HTV	NITRONIC 50 HS	NO
41	1	SEE TABLE 2	SEAT, Ø.050, PILL STYLE, Ø.200 X .100	ALUMINA-CERAMIC	NO
42	1	SEE TABLE 2	GUIDE RING, STEM, BOTTOM, SURFACE HTV	PTFE	NO
43	1	SEE TABLE 2	PIN HOLDER, HTV	NITRONIC 50 HS	NO
44	1	SEE TABLE 3	SPRING, COIL, HPS	ELGILOY	NO
45	8	SEE TABLE 4	SHCS, M12 X 1.75 X 40	SEE TABLE	YES
46	1	SEE TABLE 5	HANDLE, SURFACE HTV	316 SS	NO
47	1	SEE TABLE 5	BUSHING, STEM, SURFACE HTV	NI-AL-BRZ	YES
48	1	SEE TABLE 5	BOLT, SHOULDER, Ø4MM X 12MM LG, M3X0.5	18-8 SS	NO
49	1	SEE TABLE 5	SHSS, M4X.07X3LG, FLAT POINT	18-8 SS	NO

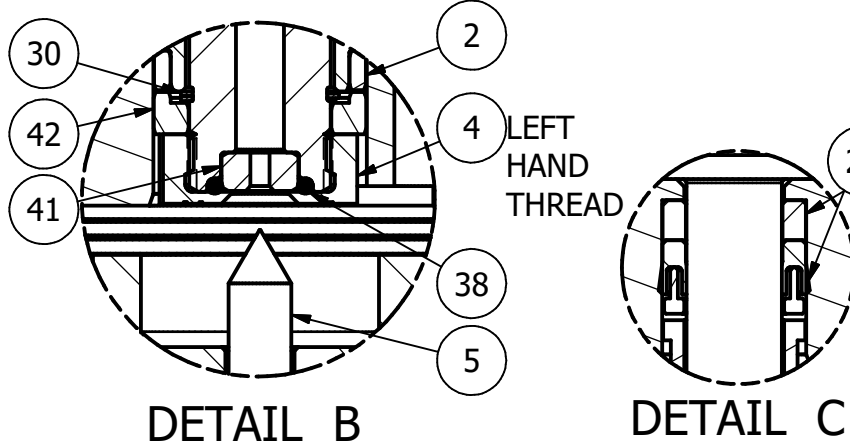
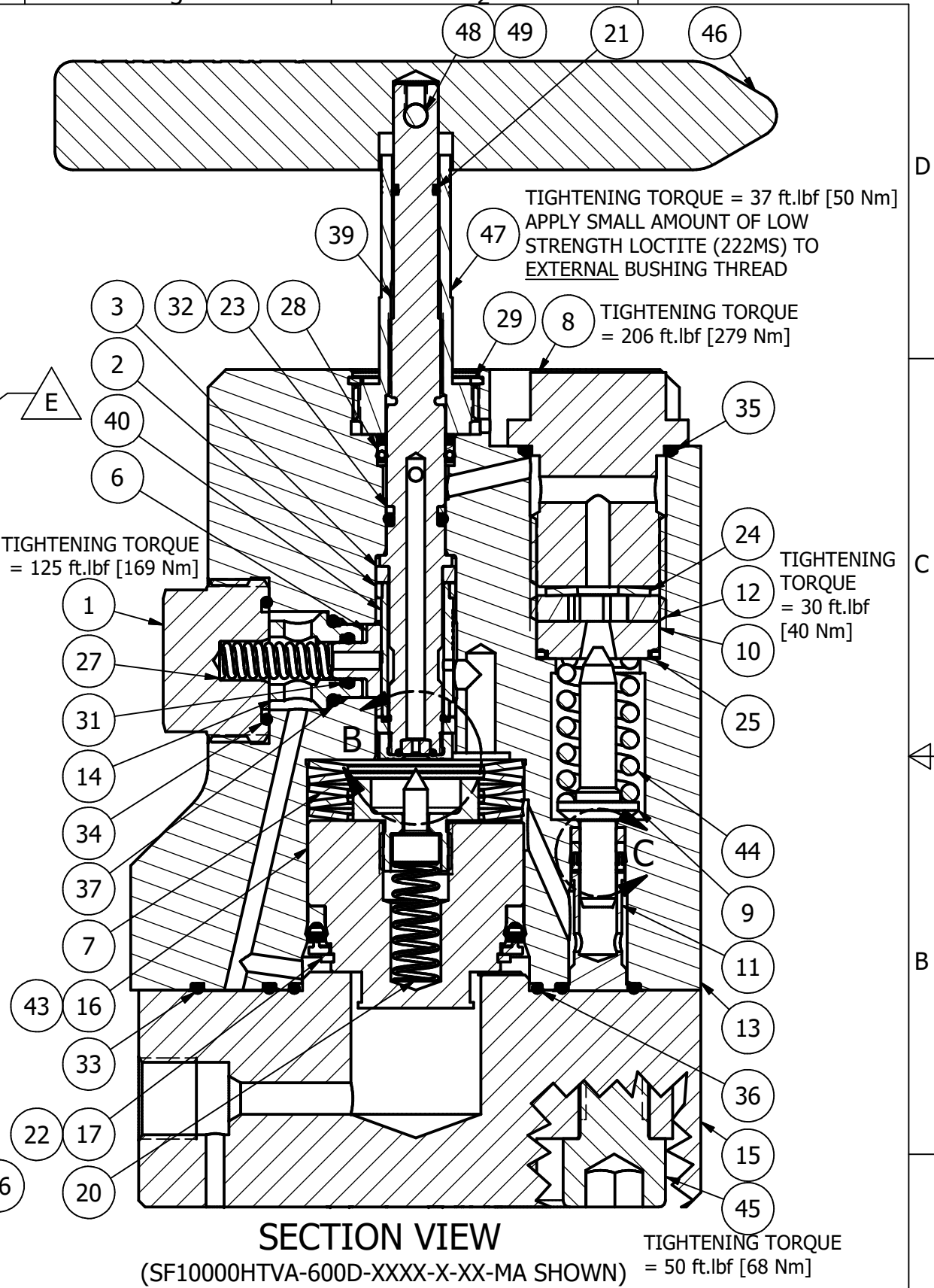
TABLE 1: SEAL SELECTION			
ITEM	EPDM	FFKM	DESCRIPTION
31	71001738	71006901	SL, O-RING, 2-010
32	71006952	71001744	SL, O-RING, 2-011
33	71001748	71001752	SL, O-RING, 2-013
34	71001766	71001769	SL, O-RING, 2-018
35	71007240	71006260	SL, O-RING, 2-021
36	71005377	71005574	SL, O-RING, 2-030
37	71006912	71001820	SL, O-RING, 3-906
38	71006954	71006953	SL, O-RING, M5 X 1

TABLE 2: FLOW RATE RANGE SELECTION			
ITEM	1-600gpd	50-2500gpd	DESCRIPTION
4	30433 (316 SS)	31409 (NITRONIC 50)	RETAINER, SEAT, SURFACE HTV
39	30415	30514	STEM, SURFACE, HTV
40	30428	30831	GATE, COATED, SURFACE HTV
41	30470	30516	SEAT, PILL STYLE
42	30828	30826	GUIDE RING, STEM, BOTTOM, SURFACE HTV
43	30955	30959	PIN HOLDER, HTV

TABLE 3: HPS SPRING SELECTION			
ITEM	LIGHT (L)	HEAVY (H)	DESCRIPTION
44	71007251	71007028	SPRING, COIL, HPS

TABLE 4: FASTENER SELECTION			
ITEM	A4-70	SUPER DUPLEX 2507	DESCRIPTION
45	71005549	71007410	SHCS, M12 X 1.75 40

TABLE 5: ACTUATION SELECTION				
ITEM	MANUAL	ROTORK	SF3	DESCRIPTION
46	30435	30944	30991	HANDLE, SURFACE HTV
47	30427	31169		BUSHING, STEM, SURFACE HTV
48	71007037	71007247		FASTENER, HANDLE
49	N/A	71007417		SHSS, M4X.07X3LG, FLAT POINT



NOTES CONTINUED:
 7) COAT ALL THREADS WITH DYNATEX ANTI-SEIZE & LUBRICATING COMPOUND (OR SIMILAR) UNLESS OTHERWISE STATED
 8) LUBRICATE ALL SEALS WITH PARKER SLUBE 884-4 (OR SIMILAR)
 9) SEE O&M OR SF1000HTVA-SK FOR SPARES KITS PART LISTS

ALL DIMENSIONS IN INCHES UNLESS OTHERWISE SPECIFIED	DRAWN J.MOORE 2/12/2019	SKOFLO INDUSTRIES, INC. WOODINVILLE, WA
DRAWING PER ANSI Y14.5M-2009	ENG1 N.ALLEY 2/12/2019	
FRACTIONS ± 1/16 X ± .03 .XX ± .010 .XXX ± .005 .XXX ± .0005 ANGULAR ± 3°	UNLESS SPECIFIED DEBurr & BREAK EDGES: 0.15/005 Ra SURF QUAL: 63 FILLET: R.020/008 DRILL POINT: 110-150°	THIS DOCUMENT CONTAINS INFORMATION WHICH IS PROPRIETARY TO SKOFLO INDUSTRIES INC. THE INFORMATION CONTAINED HEREIN SHALL NOT BE DISCLOSED, DUPLICATED, USED IN WHOLE OR IN PART FOR ANY PURPOSE OTHER THAN TO EVALUATE THIS DOCUMENT
DWG NO SF1000HTVA-MA		VALVE ASSEMBLY, SURFACE, SF1000HTVA, MANUAL BOM DRAWING
SIZE B	SCALE NONE	SHEET 2 OF 2